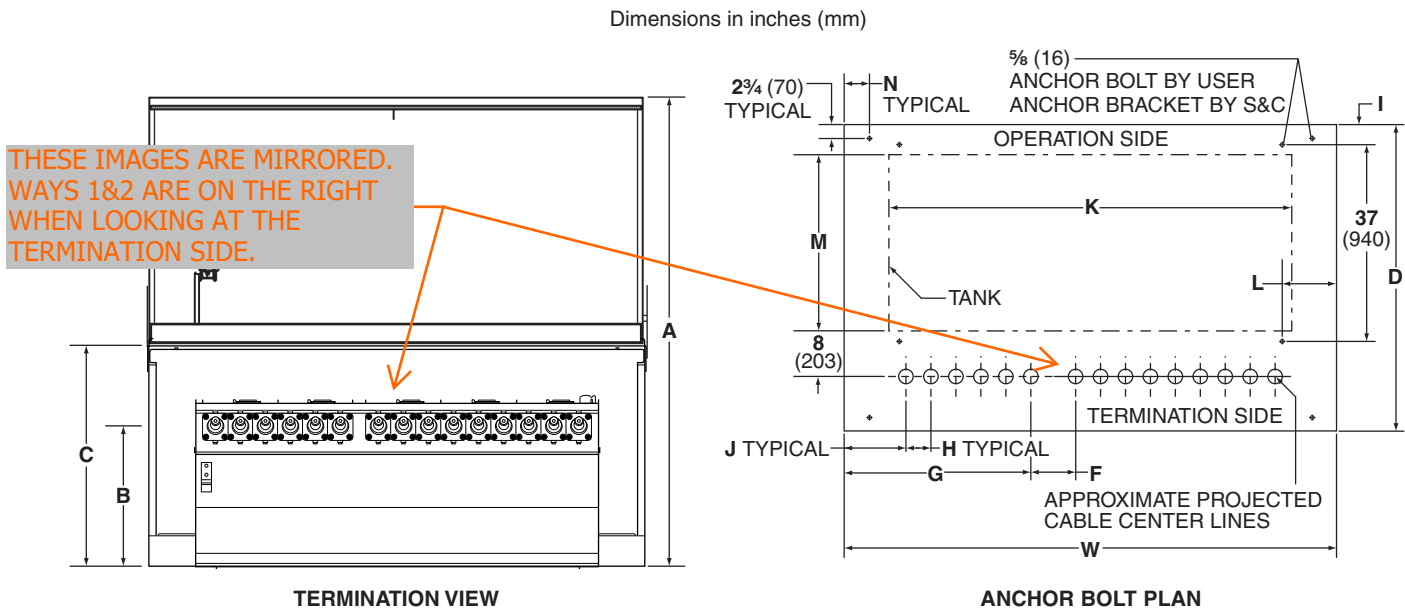


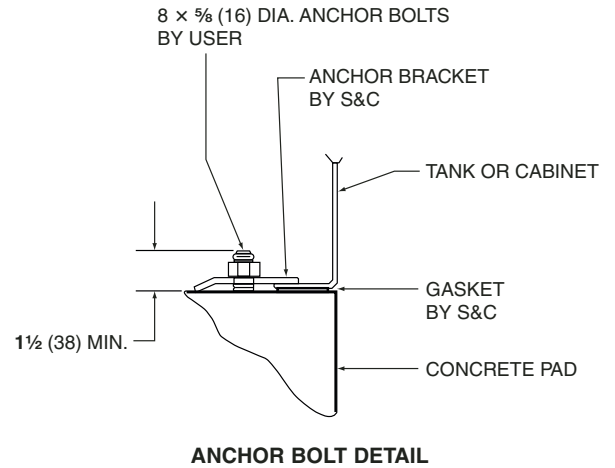
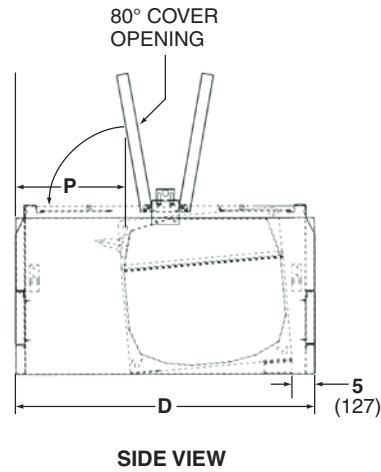
Pad-Mounted Style Switchgear—Models 514, 523, 624, and 633*
 (Model 523, 29 kV, 12.5 kA symmetrical shown)



Model	Ratings		A	B	C	D	F [▲]	G [▲]	H
	kV, Max	Short-Circuit, A, RMS, Sym.							
514 523	15.5	12 500	55 (1397)	17½ (445)	29½ (749)	61 (1549)	7⅞ (194)	39⅞ (1008)	5 (127)
		25 000	65 (1651)	28 (711)	38 (965)	65 (1651)	7⅞ (194)	39⅞ (1008)	5 (127)
	29	12 500	65 (1651)	28 (711)	38 (965)	65 (1651)	7⅞ (194)	39⅞ (1008)	5 (127)
		25 000	65 (1651)	28 (711)	38 (965)	65 (1651)	NA	NA	5¾ (146)
	38	12 500	65 (1651)	28 (711)	38 (965)	65 (1651)	NA	NA	5¾ (146)
		25 000	65 (1651)	28 (711)	38 (965)	65 (1651)	NA	NA	5¾ (146)
624 633	15.5	12 500	55 (1397)	17½ (445)	29½ (749)	61 (1549)	7⅞ (194)	47⅞ (1199)	5 (127)
		25 000	65 (1651)	28 (711)	38 (965)	65 (1651)	7⅞ (194)	47⅞ (1199)	5 (127)
	29	12 500	65 (1651)	28 (711)	38 (965)	65 (1651)	7⅞ (194)	47⅞ (1199)	5 (127)
		25 000	65 (1651)	28 (711)	38 (965)	65 (1651)	NA	NA	5¾ (146)
	38	12 500	65 (1651)	28 (711)	38 (965)	65 (1651)	NA	NA	5¾ (146)
		25 000	65 (1651)	28 (711)	38 (965)	65 (1651)	NA	NA	5¾ (146)

▲ All four-, five, and six-way units rated 15.5 kV or 29 kV, 12.5 kA symmetrical include an extra 2⅝-inch (67-mm) gap between Ways Two and Three (four-way units) or between Ways Three and Four (five- and six-way units).

* See pages 16 and 17 for Models 201, 210, 211, 320, 321, 330, 413, 422, 431, and 440.



Model	Ratings		I	J	K	L	M	N	P	W
	kV, Max	Short-Circuit, A, RMS, Sym.								
514 523	15.5	12 500	3 (76)	14 ¹¹ / ₁₆ (373)	80 ⁷ / ₁₆ (2043)	14 ⁷ / ₈ (377)	32 ³ / ₁₆ (818)	7 ¹ / ₂ (191)	23 ¹³ / ₁₆ (605)	102 (2591)
		25 000	4 (102)	14 ¹¹ / ₁₆ (373)	80 ⁷ / ₁₆ (2043)	12 ¹ / ₈ (308)	35 (889)	7 ¹ / ₂ (191)	23 ¹ / ₂ (597)	102 (2591)
	29	12 500	4 (102)	14 ¹¹ / ₁₆ (373)	80 ⁷ / ₁₆ (2043)	12 ¹ / ₈ (308)	35 (889)	7 ¹ / ₂ (191)	23 ¹ / ₂ (597)	102 (2591)
		25 000	4 (102)	16 ¹ / ₄ (413)	90 ¹ / ₁₆ (2288)	12 ⁷ / ₈ (327)	35 (889)	7 ¹ / ₂ (191)	23 ¹ / ₂ (597)	113 (2870)
	38	12 500	4 (102)	16 ¹ / ₄ (413)	90 ¹ / ₁₆ (2288)	12 ⁷ / ₈ (327)	35 (889)	7 ¹ / ₂ (191)	23 ¹ / ₂ (597)	113 (2870)
		25 000	4 (102)	16 ¹ / ₄ (413)	90 ¹ / ₁₆ (2288)	12 ⁷ / ₈ (327)	35 (889)	7 ¹ / ₂ (191)	23 ¹ / ₂ (597)	113 (2870)
624 633	15.5	12 500	3 (76)	7 ³ / ₁₆ (183)	95 ⁷ / ₁₆ (2424)	7 ³ / ₈ (187)	32 ³ / ₁₆ (818)	10 ¹ / ₂ (267)	23 ¹³ / ₁₆ (605)	102 (2591)
		25 000	4 (102)	7 ³ / ₁₆ (183)	95 ⁷ / ₁₆ (2424)	4 ⁵ / ₈ (117)	35 (889)	7 ¹ / ₂ (191)	23 ¹ / ₂ (597)	102 (2591)
	29	12 500	4 (102)	7 ³ / ₁₆ (183)	95 ⁷ / ₁₆ (2424)	4 ⁵ / ₈ (117)	35 (889)	7 ¹ / ₂ (191)	23 ¹ / ₂ (597)	102 (2591)
		25 000	4 (102)	7 ⁵ / ₈ (194)	107 ⁵ / ₁₆ (2726)	4 ¹ / ₄ (107)	35 (889)	7 ¹ / ₂ (191)	23 ¹ / ₂ (597)	113 (2870)
	38	12 500	4 (102)	7 ⁵ / ₈ (194)	107 ⁵ / ₁₆ (2726)	4 ¹ / ₄ (107)	35 (889)	7 ¹ / ₂ (191)	23 ¹ / ₂ (597)	113 (2870)
		25 000	4 (102)	7 ⁵ / ₈ (194)	107 ⁵ / ₁₆ (2726)	4 ¹ / ₄ (107)	35 (889)	7 ¹ / ₂ (191)	23 ¹ / ₂ (597)	113 (2870)