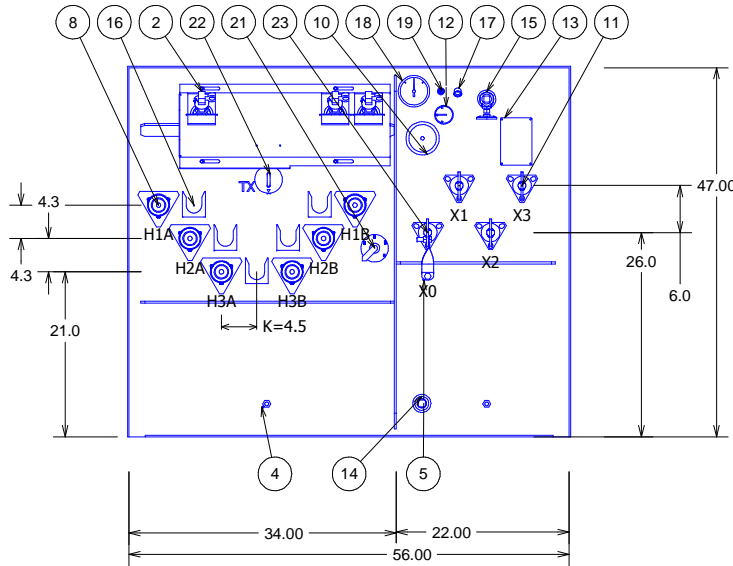
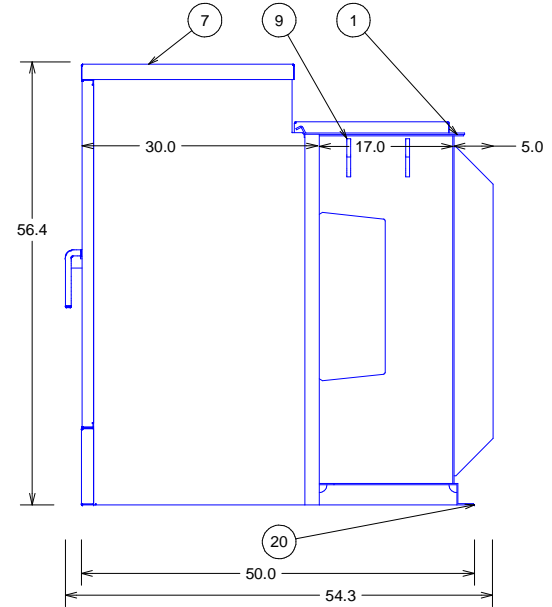
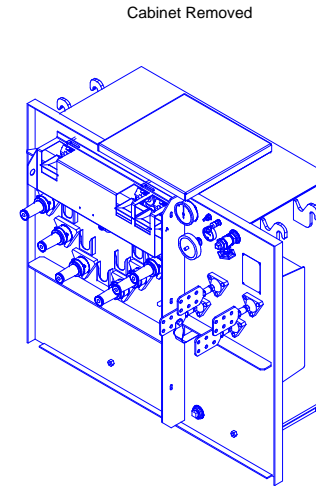
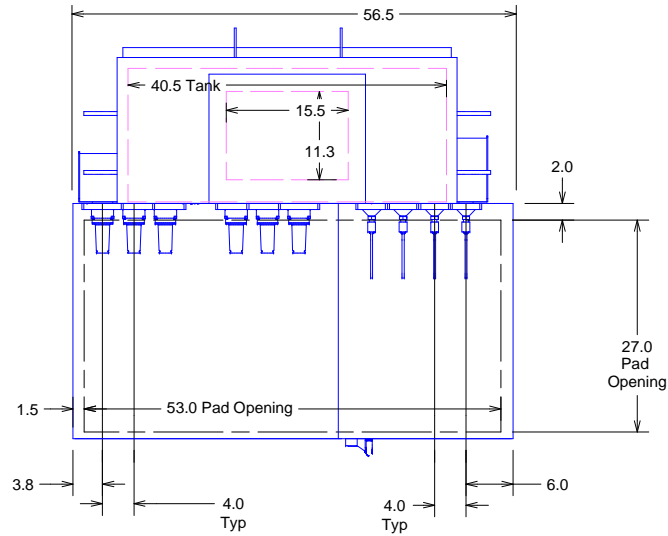



ITE	DESCRIPTION
1	Bolted Cover w/ Handhole w/ Nutguard
2	Cooper Bayonet Fusing w/ Plastic Dripshield
3	Current Limiting Backup Fuses (Internal)
4	Ground Nut .50-13 Tap
5	Ground Strap and Nut
6	15.0kV Elbow Arrester (boxed)
7	High Security Cabinet w/ Pentahead Door Bolts
8	35kV 200 Amp HV Bushing Well w/ 15kV Insert
9	Lifting Lug
10	Liquid Temperature Gauge
11	1.2kV LV Bushing w/6 Hole Spade
12	Magnetic Oil Level Gauge
13	Nameplate
14	One Inch Drain Plug
15	One Inch Upper Fill Valve
16	Parking Stand
17	Pressure Relief Valve
18	Pressure Vacuum Gauge
19	Schrader Valve
20	Tank Base w/ Jacking and Rolling Facilities
21	Tap Changer
22	Two Position Loadbreak Switch w/ Fuse Interlock
23	X0 Bushing

FLWNB1X
REVISIONS



EXTEND THE PAD 18" BEYOND EACH SIDE OF THE TRANSFORMER.

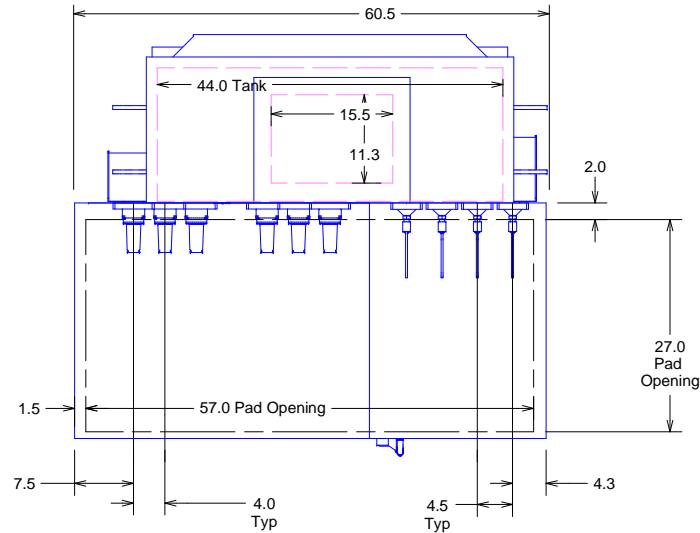
3PH Padmount Transformer 60Hz
112.5 kVA KNAN 65 AWR FR3
HV 12470D 95 kV BIL
LV 208Y/120 30 kV BIL
4.12 %I_Z
Approximate Weight 2225 lbs.
Munsell Green Topcoat
Mild Steel Construction
FM Approved for Outdoor Use
DESIGN #: 1

MATERIAL:		 Powering Business Worldwide				
ALL DIMENSIONS ARE IN INCHES [MM]						
THE INFORMATION ON THIS DOCUMENT WAS CREATED BY EATON. IT WAS DISCLOSED IN CONFIDENCE AND IS ONLY TO BE USED FOR THE PURPOSE IN WHICH IT WAS SUPPLIED.		TITLE: Distribution Transformer Outline Drawing DESC: COOPER POWER SERIES THREE-PHASE PAD-MOUNTED COMPARTMENTAL TYPE				
DWG: PTP	DATE: 9/23/2016	REF: P3D V03R07M00	SHEET #: 1 OF 1	SCALE:	REV: 00	
THIS DRAWING HAS BEEN GENERATED FROM A 3D MODEL.		FLWNB1X				

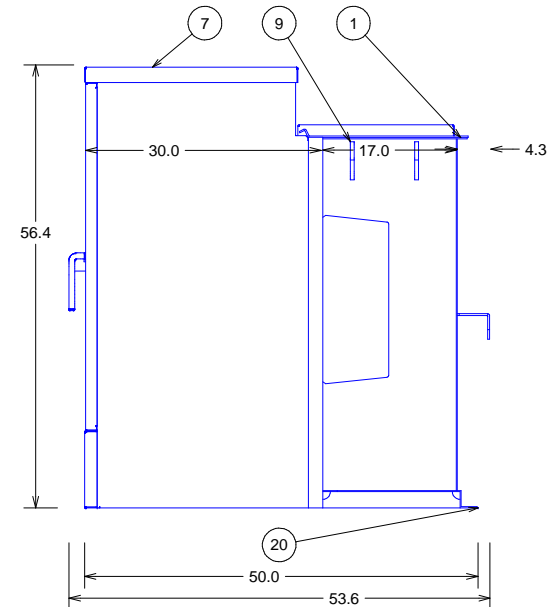
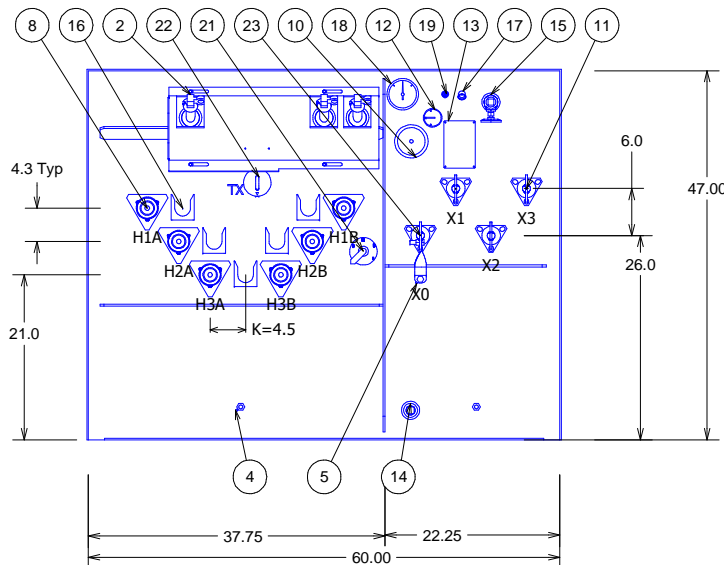
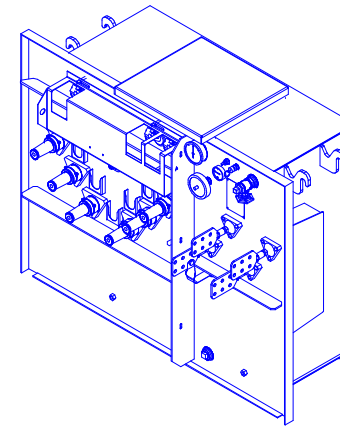
ITE	DESCRIPTION
1	Bolted Cover w/ Handhole w/ Nutguard
2	Cooper Bayonet Fusing w/ Dripshield
3	Current Limiting Backup Fuses (Internal)
4	Ground Nut .50-13 Tap
5	Ground Strap and Nut
6	18.0kV (15.3kV MCOV) Elbow Arrester (boxed)
7	High Security Cabinet w/ Pentahead Door Bolts
8	35kV 200 Amp HV Bushing Well w/ 15kV Insert
9	Lifting Lug
10	Liquid Temperature Gauge
11	1.2kV LV Bushing w/6 Hole Spade
12	Magnetic Oil Level Gauge
13	Nameplate
14	One Inch Drain Plug
15	One Inch Upper Fill Valve
16	Parking Stand
17	Pressure Relief Valve
18	Pressure Vacuum Gauge
19	Schrader Valve
20	Tank Base w/ Jacking and Rolling Facilities
21	5-Position Tap Changer
22	Two Position Loadbreak Switch w/ Fuse Interlock
23	X0 Bushing

J6259YDU

REVISIONS




Cabinet Removed



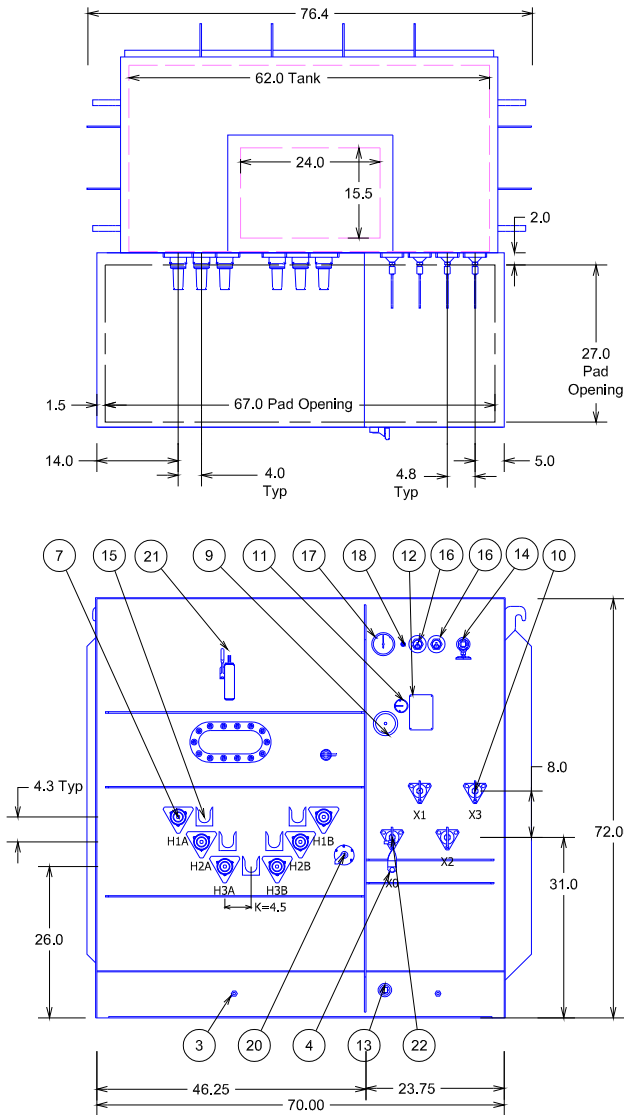
EXTEND THE PAD 18" BEYOND EACH SIDE OF THE TRANSFORMER.

3PH Padmount Transformer 60Hz
 112.5 kVA KNAN 65 AWR FR3
 HV 12470D 95 kV BIL
 LV 480Y/277 30 kV BIL
 3.64 %IZ
Approximate Weight: 2579 lbs.
 Munsell Green Topcoat
 Mild Steel Construction
 FM Approved for Outdoor Use
 DESIGN #: 1

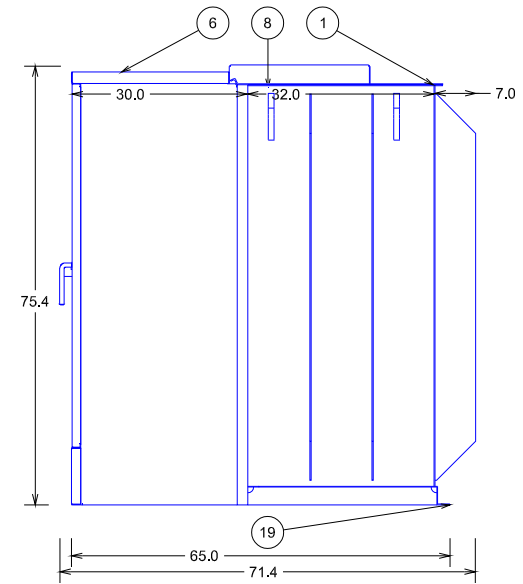
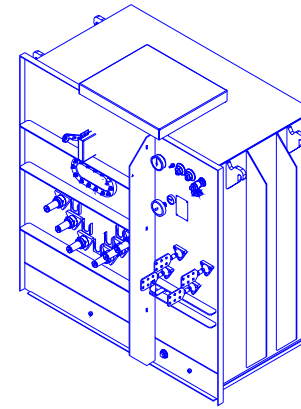
MATERIAL:		 Powering Business Worldwide				
ALL DIMENSIONS ARE IN INCHES [MM]						
THE INFORMATION ON THIS DOCUMENT WAS CREATED BY EATON. IT WAS DISCLOSED IN CONFIDENCE AND IS ONLY TO BE USED FOR THE PURPOSE IN WHICH IT WAS SUPPLIED.		TITLE: Distribution Transformer Outline Drawing DESC: COOPER POWER SERIES THREE-PHASE PAD-MOUNTED COMPARTMENTAL TYPE				
DWG: PTP	DATE: 3/2/2018	REF: P3D V03R09M00	SHEET #: 1 OF 1	SCALE:	REV: 00	
THIS DRAWING HAS BEEN GENERATED FROM A 3D MODEL.		J6259YDU				

ITE	DESCRIPTION
1	Bolted Cover w/ Handhole w/ Nutguard
2	Current Limiting Backup Fuses (Internal)
3	Ground Nut .50-13 Tap
4	Ground Strap and Nut
5	18.0kV (15.3kV MCOV) Elbow Arrester (boxed)
6	High Security Cabinet w/ Pentahead Door Bolts
7	35kV 200 Amp HV Bushing Well w/ 15kV Insert
8	Lifting Lug
9	Liquid Temperature Gauge
10	1.2kV LV Bushing w/6 Hole Spade
11	Magnetic Oil Level Gauge
12	Nameplate
13	One Inch Drain Plug
14	One Inch Upper Fill Valve
15	Parking Stand
16	Pressure Relief Valve
17	Pressure Vacuum Gauge
18	Schrader Valve
19	Tank Base w/ Jacking and Rolling Facilities
20	5-Position Tap Changer
21	Vacuum Fault Interrupter with Visible Disconnect Switch
22	X0 Bushing

EXTEND THE PAD 18" BEYOND EACH SIDE OF THE TRANSFORMER.



Cabinet Removed



0002BP08XYTA
REVISIONS

3PH Padmount Transformer 60Hz
150.0 kVA KNAN 65 AWR FR3
HV 12470D 95 kV BIL
LV 208Y/120 30 kV BIL
3.38 %IZ

Munsell Green Topcoat
Mild Steel Construction
FM Approved for Outdoor Use

SO 213380261
PO 03042018LM1
Customer MYERS & ASSOC ELECTRICAL SALES
Project OSU DRAWINGS

MATERIAL:

ALL DIMENSIONS ARE IN INCHES [MM]

THE INFORMATION ON THIS DOCUMENT WAS CREATED BY EATON. IT WAS DISCLOSED IN CONFIDENCE AND IS ONLY TO BE USED FOR THE PURPOSE IN WHICH IT WAS SUPPLIED.

THIS DRAWING HAS BEEN GENERATED FROM A 3D MODEL.



TITLE: Distribution Transformer Outline Drawing
DESC: COOPER POWER SERIES THREE-PHASE PAD-MOUNTED COMPARTMENTAL TYPE

DWG: PTP	DATE: 4/10/2018	REF: P3D V03R09M00	SHEET #: 1 OF 1	SCALE: 00	REV: 00
----------	-----------------	--------------------	-----------------	-----------	---------

0002BP08XYTA



COOPER POWER SERIES

3φ DISTRIBUTION TRANSFORMER ASSEMBLED IN WAUKESHA, WI U.S.A

KV 150 65°C 60Hz

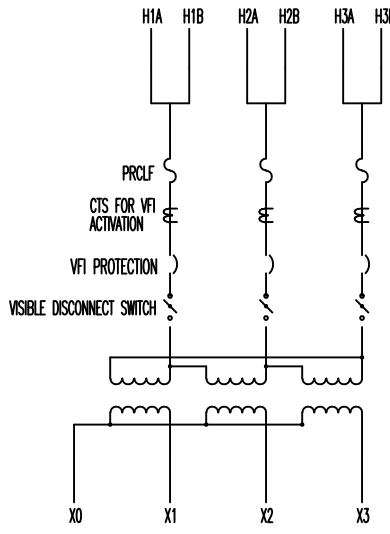
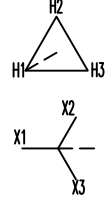
NAMEPLATE 0002BP08XYTA

12470 KNAN

208Y/120 3.38 %IZ @85°C MFG DATE

HV KV BIL 95 PCB CONTENT LESS THAN 1 PPM AT TIME OF MANUFACTURE
HV NEUTRAL KV BIL -- CAUTION - READ INSTRUCTION MANUAL MN202001EN
LV KV BIL 30 EF CARD FOR VFI CONTROL
HV/LV CONDUCTOR CU/CU

Table with 2 columns: Component, Weight in LBS. Includes rows for Core & Coil Untanking (1053), Tank & Fit (2020), Fluid (3187), and Total (6260).



MAX AMPS AT 150 KVA
%IZ AT BASE KVA AND RATED VOLTAGE
DOE EFFICIENCY COMPLIANT

PRCLF = CBUC15050C100
VFI MAXIMUM MIN TRIP = 30 AMPS

- NOTES: 1) ACTUAL PLATE IS A NEGATIVE OF THE ABOVE DRAWING. 2) ACTUAL %IZ TO BE STAMPED IN AFTER TESTING.

NAMEPLATE MATERIAL: ALUMINUM

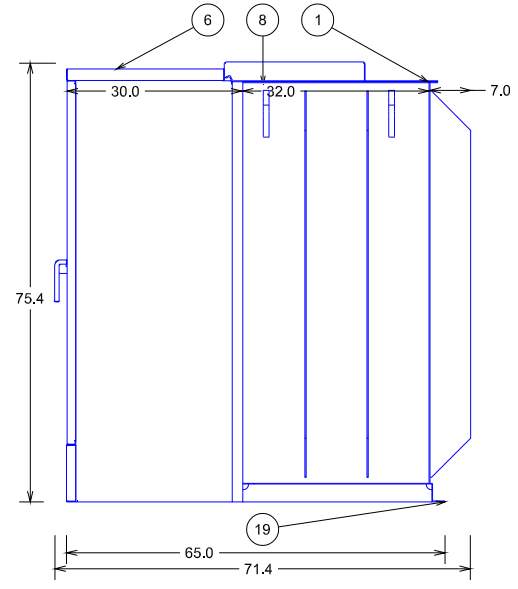
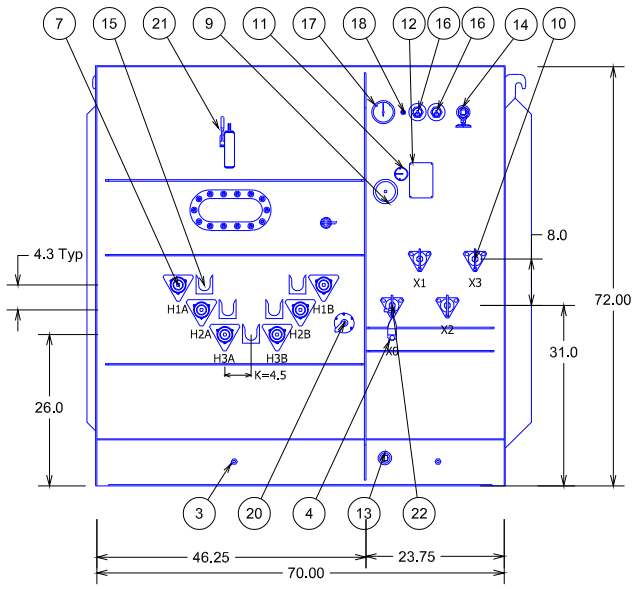
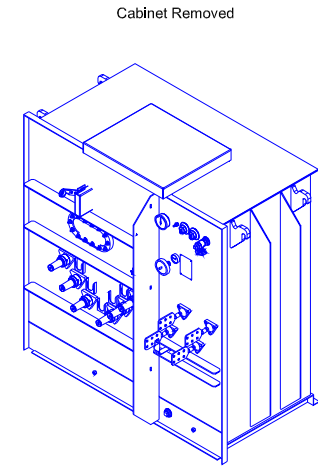
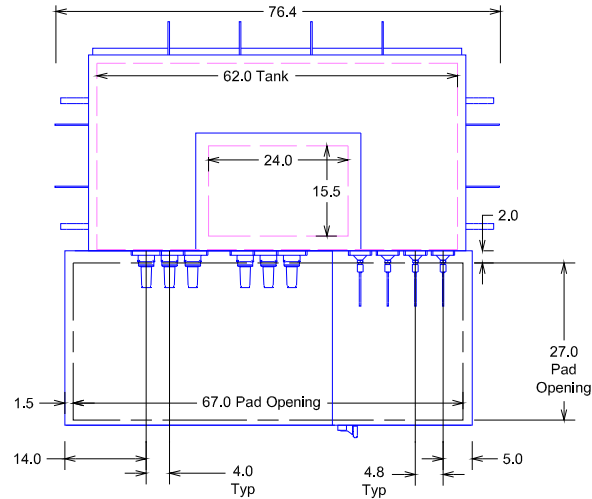
213228016,12

1189610A8498 REVISIONS

Technical specification table with columns for Material, Dimensions, Title (LASER NAMEPLATE), Description (COOPER POWER SERIES 0002BP08XYTA), Date (4/11/2018), and Part Number (1189610A8498).

ITE	DESCRIPTION
1	Bolted Cover w/ Handhole w/ Nutguard
2	Current Limiting Backup Fuses (Internal)
3	Ground Nut .50-13 Tap
4	Ground Strap and Nut
5	18.0kV (15.3kV MCOV) Elbow Arrester (boxed)
6	High Security Cabinet w/ Pentahead Door Bolts
7	35kV 200 Amp HV Bushing Well w/ 15kV Insert
8	Lifting Lug
9	Liquid Temperature Gauge
10	1.2kV LV Bushing w/6 Hole Spade
11	Magnetic Oil Level Gauge
12	Nameplate
13	One Inch Drain Plug
14	One Inch Upper Fill Valve
15	Parking Stand
16	Pressure Relief Valve
17	Pressure Vacuum Gauge
18	Schrader Valve
19	Tank Base w/ Jacking and Rolling Facilities
20	5-Position Tap Changer
21	Vacuum Fault Interrupter with Visible Disconnect Switch
22	X0 Bushing

0002BP08XYMA
REVISIONS




EXTEND THE PAD 18" BEYOND EACH SIDE OF THE TRANSFORMER.

3PH Padmount Transformer 60Hz
150.0 kVA KNAN 65 AWR FR3
HV 12470D 95 kV BIL
LV 480Y/277 30 kV BIL
3.71 %IZ

Munsell Green Topcoat
Mild Steel Construction
FM Approved for Outdoor Use

SO 213380261
PO 03042018LM1
Customer MYERS & ASSOC ELECTRICAL SALES
Project OSU DRAWINGS

MATERIAL:		 Powering Business Worldwide	
ALL DIMENSIONS ARE IN INCHES [MM]			
THE INFORMATION ON THIS DOCUMENT WAS CREATED BY EATON. IT WAS DISCLOSED IN CONFIDENCE AND IS ONLY TO BE USED FOR THE PURPOSE IN WHICH IT WAS SUPPLIED.		TITLE: Distribution Transformer Outline Drawing	
THIS DRAWING HAS BEEN GENERATED FROM A 3D MODEL.		DESC: COOPER POWER SERIES THREE-PHASE PAD-MOUNTED COMPARTMENTAL TYPE	
DWG: PTP	DATE: 4/10/2018	REF: P3D V03R09M00	SHEET #: 1 OF 1
		SCALE: 1	REV: 00
0002BP08XYMA			



COOPER POWER SERIES

3φ DISTRIBUTION TRANSFORMER ASSEMBLED IN WAUKESHA, WI U.S.A

KV 150 65°C 60Hz

NAMEPLATE 0002BP08XYMA

12470 KNAN

480Y/277 3.71 %IZ @85°C MFG DATE

HV KV BIL 95 PCB CONTENT LESS THAN 1 PPM AT TIME OF MANUFACTURE
HV NEUTRAL KV BIL -- CAUTION - READ INSTRUCTION MANUAL MN202001EN
LV KV BIL 30 EF CARD FOR VFI CONTROL
HV/LV CONDUCTOR CU/CU

APPROX. WEIGHT IN LBS.

Table with 2 columns: Component, Weight (LBS). Rows: CORE & COIL UNTANKING (1082), TANK & FIT (2019), FLUID: FR3™ GALLONS: 414 (3180), TOTAL (6281)

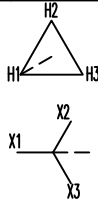
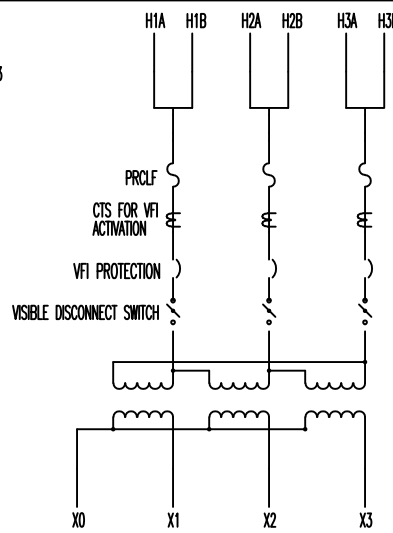


Table with 3 columns: TAP, VOLTAGE, MAX AMPS. Rows: A (13090, 6.6), B (12780, 6.8), C (12470, 6.9), D (12160, 7.1), E (11850, 7.3)



MAX AMPS AT 150 KVA
%IZ AT BASE KVA AND RATED VOLTAGE
DOE EFFICIENCY COMPLIANT

PRCLF = CBUC15050C100
VFI MAXIMUM MIN TRIP = 30 AMPS

- NOTES: 1) ACTUAL PLATE IS A NEGATIVE OF THE ABOVE DRAWING. 2) ACTUAL %IZ TO BE STAMPED IN AFTER TESTING.

NAMEPLATE MATERIAL: ALUMINUM

213228016,21

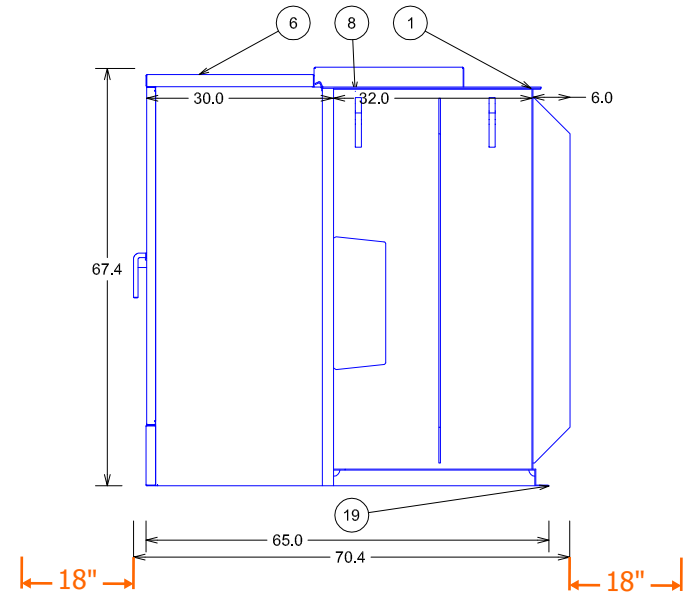
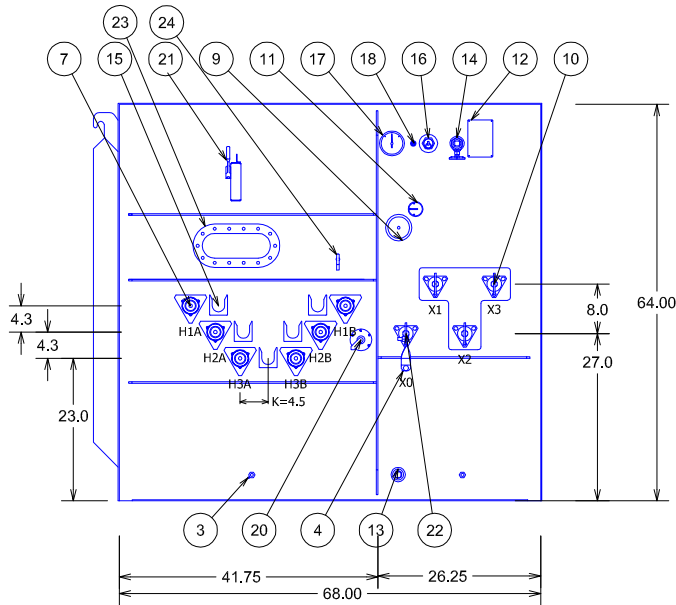
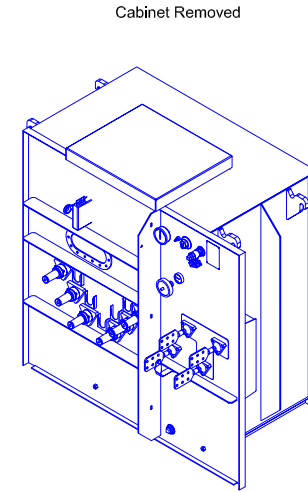
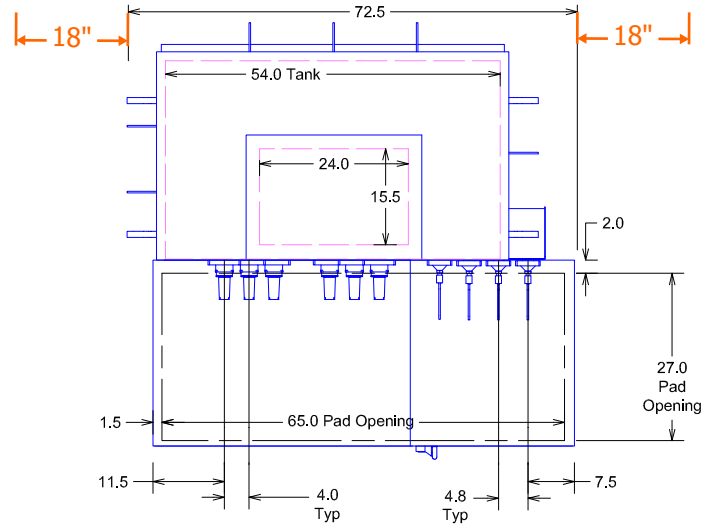
1189610A8499 REVISIONS

Table with 2 main columns: MATERIAL and EATON logo. Includes title 'LASER NAMEPLATE', description 'COOPER POWER SERIES 0002BP08XYMA', and revision control table.

1189610A8499

ITE	DESCRIPTION
1	Bolted Cover w/ Handhole w/ Nutguard
2	Current Limiting Backup Fuses (Internal)
3	Ground Nut .50-13 Tap
4	Ground Strap and Nut
5	15.0kV (12.7kV MCOV) Elbow Arrester (boxed)
6	High Security Cabinet w/ Pentahead Door Bolts
7	35kV 200 Amp HV Bushing Well w/ 15kV Insert
8	Lifting Lug
9	Liquid Temperature Gauge
10	1.2kV LV Bushing w/6 Hole Spade
11	Magnetic Oil Level Gauge
12	Nameplate
13	One Inch Drain Plug
14	One Inch Upper Fill Valve
15	Parking Stand
16	Pressure Relief Valve
17	Pressure Vacuum Gauge
18	Schrader Valve
19	Tank Base w/ Jacking and Rolling Facilities
20	5-Position Tap Changer
21	Vacuum Fault Interrupter
22	X0 Bushing
23	Visible Disconnect Window
24	Two-Position Visible Disconnect Switch

00026P09X8XA
REVISIONS



EXTEND THE PAD 18" BEYOND EACH SIDE OF THE TRANSFORMER.
 $70.4" + 36" = 106.4"$
 $72.5" + 36" = 108.5"$

3PH Padmount Transformer 60Hz
 225.0 KVA KNAN 65 AWR FR3
 HV 12470D 95 kV BIL
 LV 208Y/120 30 kV BIL
 3.48 %IZ
 Munsell Green Topcoat
 Mild Steel Construction
 FM Approved for Outdoor Use

S.O. Number: 211292088
 P.O. Number: 200627786
 Customer Name: ECONOMY SUPPLY INC
 Project Name: OSU

MATERIAL:	EATON Powering Business Worldwide			
ALL DIMENSIONS ARE IN INCHES [MM]	TITLE: Distribution Transformer Outline Drawing			
THE INFORMATION ON THIS DOCUMENT WAS CREATED BY EATON. IT WAS DISCLOSED IN CONFIDENCE AND IS ONLY TO BE USED FOR THE PURPOSE IN WHICH IT WAS SUPPLIED.	DESC: COOPER POWER SERIES THREE-PHASE PAD-MOUNTED COMPARTMENTAL TYPE			
DWG: PTP	DATE: 5/28/2017	REF: P3D V03R08M03	SHEET #: 1 OF 1	SCALE: 00
THIS DRAWING HAS BEEN GENERATED FROM A 3D MODEL.				
00026P09X8XA				



COOPER POWER SERIES

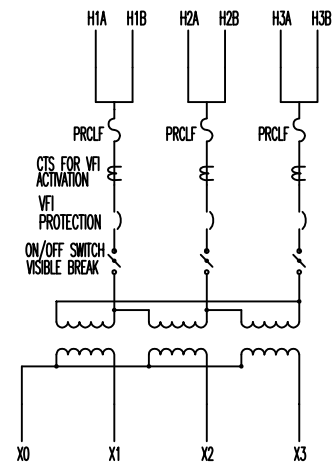
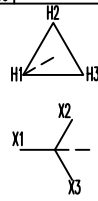
3φ DISTRIBUTION TRANSFORMER ASSEMBLED IN WAUKESHA, WI U.S.A

KVA	225	65°C	60Hz
MCPSE	00026P09X8XA		
H	12470	KNAN	
L	208Y/120	3.48 %IZ @85°C	MFG DATE
HV KV BIL	95	PCB CONTENT LESS THAN 1 PPM AT TIME OF MANUFACTURE	
HV NEUTRAL KV BIL	--	CAUTION - READ INSTRUCTION MANUAL MN202001EN	
LV KV BIL	30	EF CARD	
HV/LV CONDUCTOR	CU / CU		

APPROX. WEIGHT IN LBS.	
CORE & COIL UNTANKING	1324
TANK & FIT	1701
FLUID: FR3™	2412
GALLONS: 314	
TOTAL	5437

TAP	VOLTAGE	MAX AMPS
A	13090	9.9
B	12780	10.2
C	12470	10.4
D	12160	10.7
E	11850	11.0

MAX AMPS AT 225 KVA
 %IZ AT BASE KVA AND RATED VOLTAGE
 DOE EFFICIENCY COMPLIANT



PRCLF = CBUC15080C100
 VFI MAXIMUM MIN TRIP = 50A

- NOTES: 1) ACTUAL PLATE IS A NEGATIVE OF THE ABOVE DRAWING.
 2) ACTUAL %IZ TO BE STAMPED IN AFTER TESTING.

NAMEPLATE MATERIAL: ALUMINUM

211292088,13

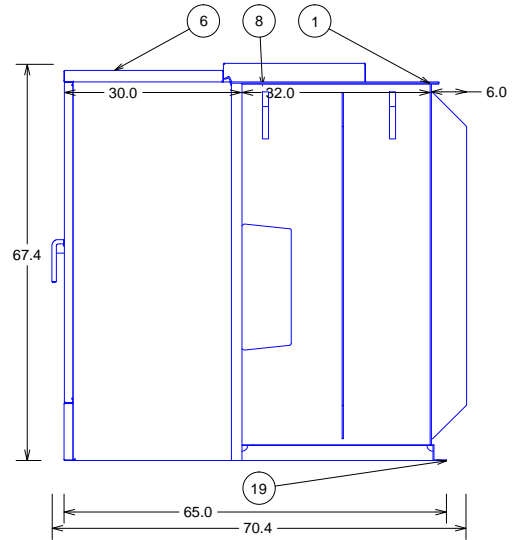
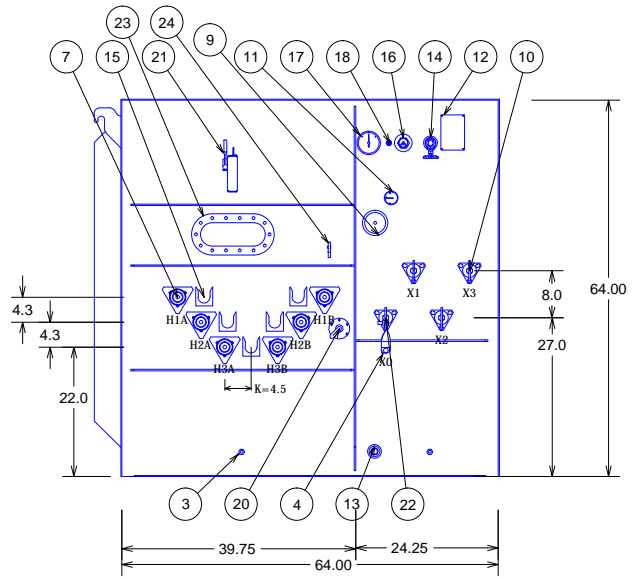
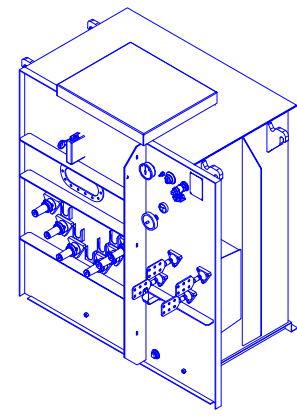
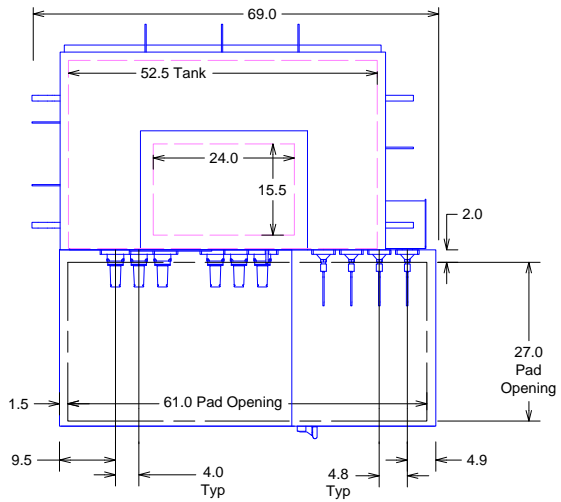
1189610A4564 REVISIONS

MATERIAL:			
ALL DIMENSIONS ARE IN INCHES [MM]		TITLE: LASER NAMEPLATE	
THE INFORMATION ON THIS DOCUMENT WAS CREATED BY EATON. IT WAS DISCLOSED IN CONFIDENCE AND IS ONLY TO BE USED FOR THE PURPOSE IN WHICH IT WAS SUPPLIED.		DESC: COOPER POWER SERIES 00026P09X8XA	
DWG: PTP	DATE: 5/29/2017	REF:	SHEET #: 1 of 1
			SCALE: 1=1
			REV: 00
1189610A4564			

ITE	DESCRIPTION
1	Bolted Cover w/ Handhole w/ Nutguard
2	Current Limiting Backup Fuses (Internal)
3	Ground Nut .50-13 Tap
4	Ground Strap and Nut
5	15.0kV (12.7kV MCOV) Elbow Arrester (boxed)
6	High Security Cabinet w/ Pentahead Door Bolts
7	35kV 200 Amp HV Bushing Well w/ 15kV Insert
8	Lifting Lug
9	Liquid Temperature Gauge
10	1.2kV LV Bushing w/6 Hole Spade
11	Magnetic Oil Level Gauge
12	Nameplate
13	One Inch Drain Plug
14	One Inch Upper Fill Valve
15	Parking Stand
16	Pressure Relief Valve
17	Pressure Vacuum Gauge
18	Schrader Valve
19	Tank Base w/ Jacking and Rolling Facilities
20	5-Position Tap Changer
21	Vacuum Fault Interrupter
22	X0 Bushing
23	Visible Disconnect Window
24	Two-Position Visible Disconnect Switch

Cabinet Removed

00026P09X2CA
REVISIONS



EXTEND THE PAD 18" BEYOND EACH SIDE OF THE TRANSFORMER.

3PH Padmount Transformer 60Hz
225.0 kVA KNAN 65 AWR FR3
HV 12470D 95 kV BIL
LV 480Y/277 30 kV BIL
Munsell Green Topcoat
Mild Steel Construction
FM Approved for Outdoor Use

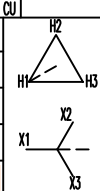
SO: 211165881
PO: 200627621
Economy Supply Inc.
OSU

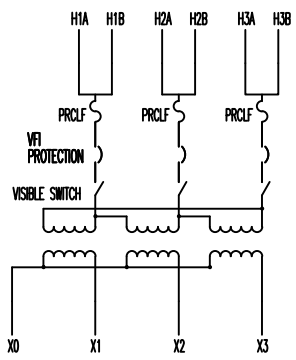
MATERIAL:		EATON Powering Business Worldwide	
ALL DIMENSIONS ARE IN INCHES (MM)		TITLE: Distribution Transformer Outline Drawing	
THE INFORMATION ON THIS DOCUMENT WAS CREATED BY EATON. IT WAS DISCLOSED IN CONFIDENCE AND IS ONLY TO BE USED FOR THE PURPOSE IN WHICH IT WAS SUPPLIED.		DESC: COOPER POWER SERIES THREE-PHASE PAD-MOUNTED COMPARTMENTAL TYPE	
DWG: PTP	DATE: 4/25/2017	REF: P3D V03R08M03	SHEET #: 1 OF 1
THIS DRAWING HAS BEEN GENERATED FROM A 3D MODEL.		SCALE:	REV: 00
00026P09X2CA			

EATON COOPER POWER SERIES 3 ϕ DISTRIBUTION TRANSFORMER ASSEMBLED IN WAUKESHA, WI U.S.A

KV 225	65°C 60Hz
MFG DATE: 00026P09X2CA	
V 12470	KNAN
V 480Y/277	3.34 %IZ @85°C MFG DATE
HV KV BIL 95 HV NEUTRAL KV BIL --- LV KV BIL 30 HV/LV CONDUCTOR CU/ CU	PCB CONTENT LESS THAN 1 PPM AT TIME OF MANUFACTURE CAUTION - READ INSTRUCTION MANUAL MN202001EN EF CARD

APPROX. WEIGHT IN LBS.	
CORE & COIL UNTANKING	1231
TANK & FIT	1654
FLUID: FR3™ GALLONS: 308	2365
TOTAL	5250





TAP	VOLTAGE	MAX AMPS
A	13090	9.9
B	12780	10.2
C	12470	10.4
D	12160	10.7
E	11850	11.0

MAX AMPS AT 225 KVA
 %IZ AT BASE KVA AND RATED VOLTAGE
 DOE EFFICIENCY COMPLIANT

PRCLF = CBUC15080C100
 VFI MAXIMUM MIN TRIP = 50 AMPS

- NOTES:**
- 1) ACTUAL PLATE IS A NEGATIVE OF THE ABOVE DRAWING.
 - 2) ACTUAL %IZ TO BE STAMPED IN AFTER TESTING.

NAMEPLATE MATERIAL: ALUMINUM

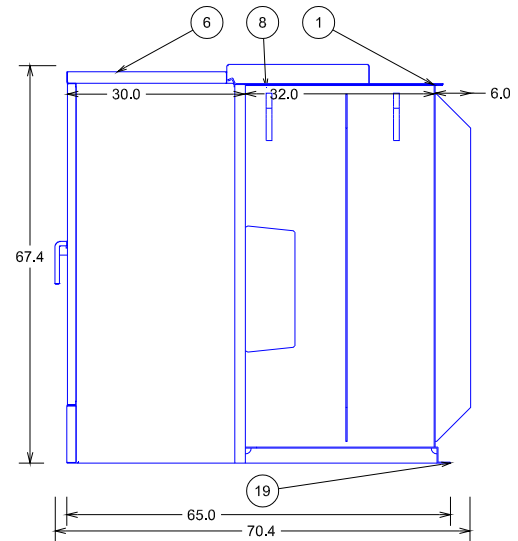
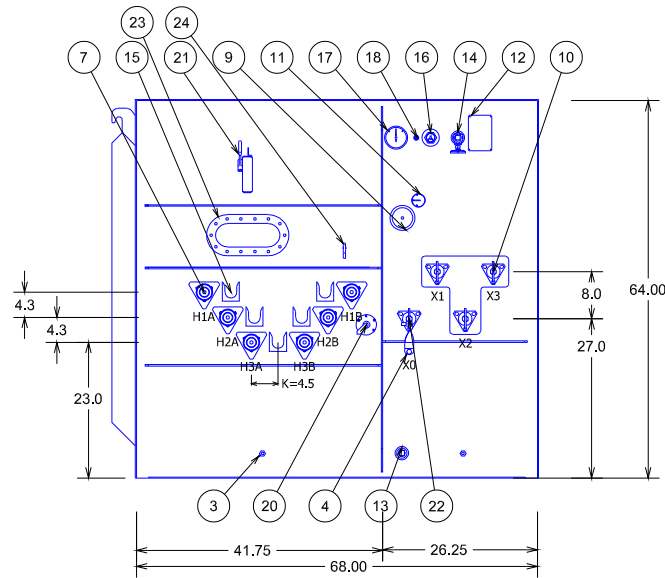
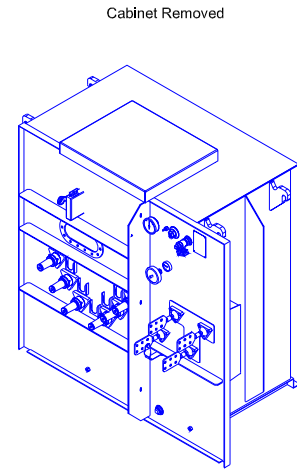
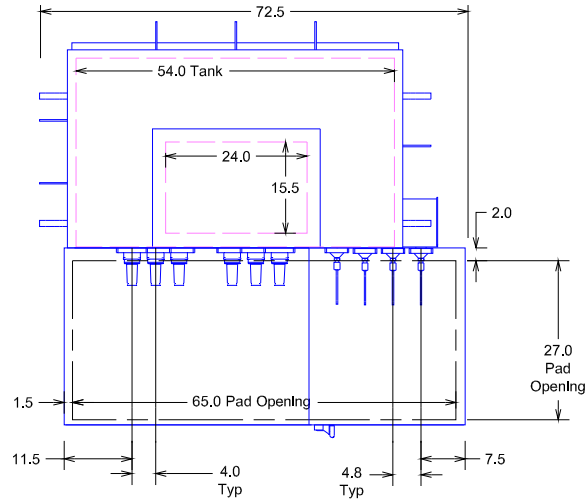
211165881,30

1189610A4175 REVISIONS

MATERIAL:		EATON <small>Powering Business. WorldWide.</small>	
ALL DIMENSIONS ARE IN INCHES [MM]		TITLE: LASER NAMEPLATE	
THE INFORMATION ON THIS DOCUMENT WAS CREATED BY EATON. IT WAS DISCLOSED IN CONFIDENCE AND IS ONLY TO BE USED FOR THE PURPOSE IN WHICH IT WAS SUPPLIED.		DESC: COOPER POWER SERIES 00026P09X2CA	
DWG: PTP	DATE: 4/26/2017	REF:	SHEET #: 1 of 1 SCALE: 1=1 REV: 00
1189610A4175			

ITE	DESCRIPTION
1	Bolted Cover w/ Handhole w/ Nutguard
2	Current Limiting Backup Fuses (Internal)
3	Ground Nut .50-13 Tap
4	Ground Strap and Nut
5	15.0kV (12.7kV MCOV) Elbow Arrester (boxed)
6	High Security Cabinet w/ Pentahead Door Bolts
7	35kV 200 Amp HV Bushing Well w/ 15kV Insert
8	Lifting Lug
9	Liquid Temperature Gauge
10	1.2kV LV Bushing w/6 Hole Spade
11	Magnetic Oil Level Gauge
12	Nameplate
13	One Inch Drain Plug
14	One Inch Upper Fill Valve
15	Parking Stand
16	Pressure Relief Valve
17	Pressure Vacuum Gauge
18	Schrader Valve
19	Tank Base w/ Jacking and Rolling Facilities
20	5-Position Tap Changer
21	Vacuum Fault Interrupter
22	X0 Bushing
23	Visible Disconnect Window
24	Two-Position Visible Disconnect Switch


00026P10X8YA
REVISIONS



EXTEND THE PAD 18" BEYOND EACH SIDE OF THE TRANSFORMER.

3PH Padmount Transformer 60Hz
300.0 kVA KNAN 65 AWR FR3
HV 12470D 95 kV BIL
LV 208Y/120 30 kV BIL
3.58 %IZ
Munsell Green Topcoat
Mild Steel Construction
FM Approved for Outdoor Use

S.O. Number: 211292088
P.O. Number: 200627786
Customer Name: ECONOMY SUPPLY INC
Project Name: OSU

MATERIAL:		 Powering Business Worldwide			
ALL DIMENSIONS ARE IN INCHES [MM]					
THE INFORMATION ON THIS DOCUMENT WAS CREATED BY EATON. IT WAS DISCLOSED IN CONFIDENCE AND IS ONLY TO BE USED FOR THE PURPOSE IN WHICH IT WAS SUPPLIED.		TITLE: Distribution Transformer Outline Drawing			
		DESC: COOPER POWER SERIES THREE-PHASE PAD-MOUNTED COMPARTMENTAL TYPE			
DWG: PTP	DATE: 5/28/2017	REF: P3D V03R08M03	SHEET #: 1 OF 1	SCALE: 00	REV: 00
THIS DRAWING HAS BEEN GENERATED FROM A 3D MODEL.		00026P10X8YA			



COOPER POWER SERIES

3φ DISTRIBUTION TRANSFORMER ASSEMBLED IN WAUKESHA, WI U.S.A

V 300 65°C 60Hz

NAMEPLATE 00026P10X8YA

12470 KNAN

208Y/120 3.58 %IZ @85°C MFG DATE

HV KV BIL 95
HV NEUTRAL KV BIL --
LV KV BIL 30
HV/LV CONDUCTOR CU/CU

PCB CONTENT LESS THAN 1 PPM AT TIME OF MANUFACTURE
CAUTION - READ INSTRUCTION MANUAL MN202001EN
EF CARD

APPROX. WEIGHT IN LBS.

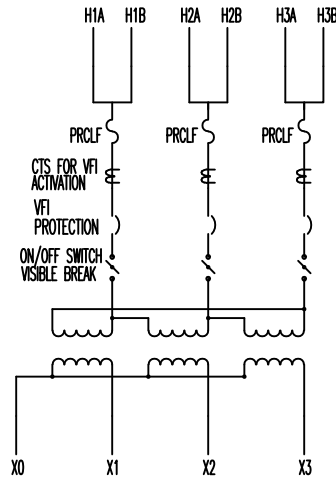
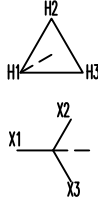
CORE & COIL UNTANKING 1618

TANK & FIT 1701

FLUID: FR3™ 2388
GALLONS: 311

TOTAL 5707

Table with 3 columns: TAP, VOLTAGE, MAX AMPS. Rows A-E with values for voltage and max amps.



MAX AMPS AT 300 KVA
%IZ AT BASE KVA AND RATED VOLTAGE
DOE EFFICIENCY COMPLIANT

PRCLF = CBUC15080C100
VFI MAXIMUM MIN TRIP = 60A

- NOTES: 1) ACTUAL PLATE IS A NEGATIVE OF THE ABOVE DRAWING. 2) ACTUAL %IZ TO BE STAMPED IN AFTER TESTING.

NAMEPLATE MATERIAL: ALUMINUM

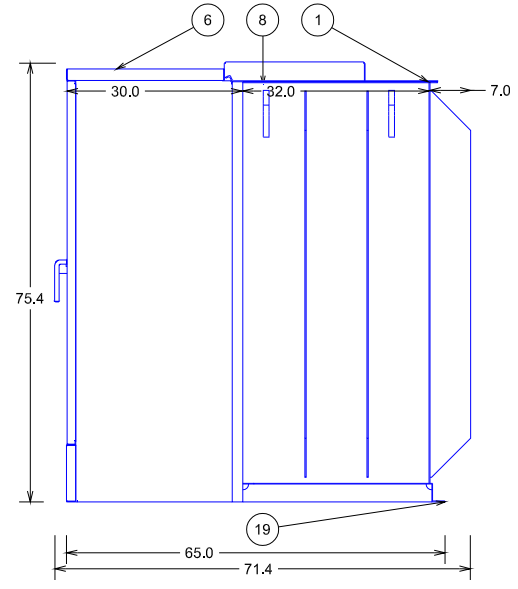
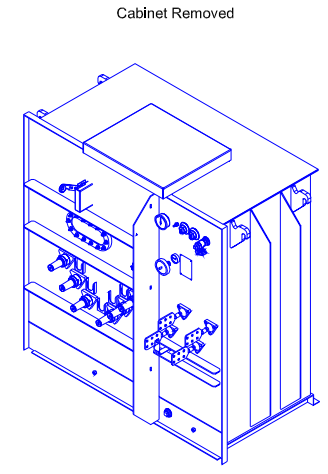
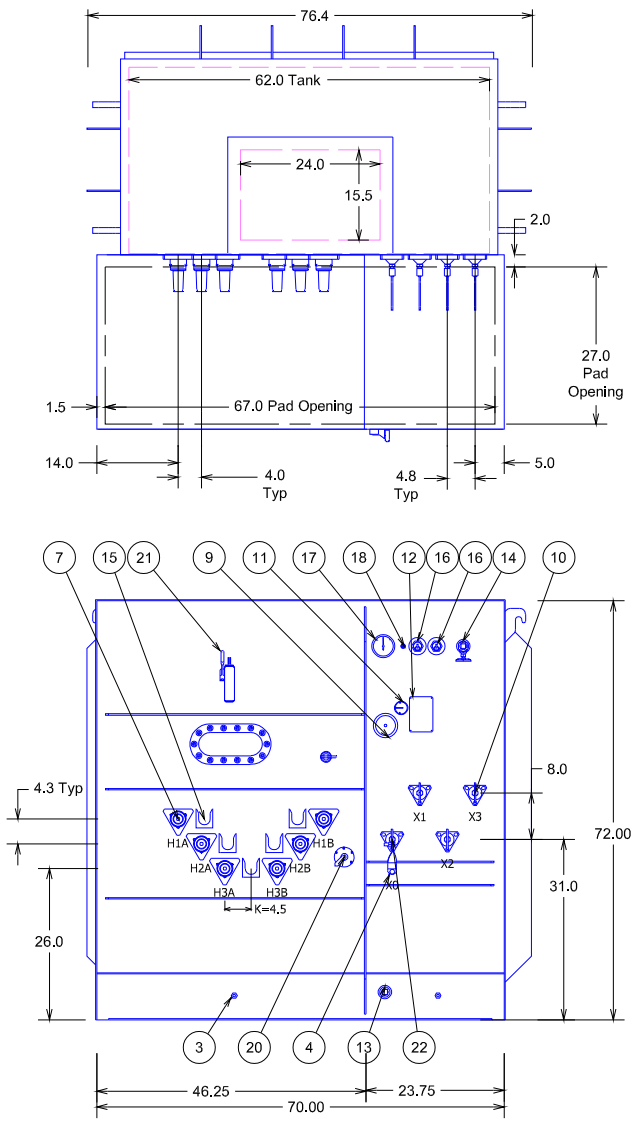
211292088,14

1189610A4565 REVISIONS

Technical drawing footer containing material info, Eaton logo, title block, and revision table.

ITE	DESCRIPTION
1	Bolted Cover w/ Handhole w/ Nutguard
2	Current Limiting Backup Fuses (Internal)
3	Ground Nut .50-13 Tap
4	Ground Strap and Nut
5	18.0kV (15.3kV MCOV) Elbow Arrester (boxed)
6	High Security Cabinet w/ Pentahead Door Bolts
7	35kV 200 Amp HV Bushing Well w/ 15kV Insert
8	Lifting Lug
9	Liquid Temperature Gauge
10	1.2kV LV Bushing w/6 Hole Spade
11	Magnetic Oil Level Gauge
12	Nameplate
13	One Inch Drain Plug
14	One Inch Upper Fill Valve
15	Parking Stand
16	Pressure Relief Valve
17	Pressure Vacuum Gauge
18	Schrader Valve
19	Tank Base w/ Jacking and Rolling Facilities
20	5-Position Tap Changer
21	Vacuum Fault Interrupter with Visible Disconnect Switch
22	X0 Bushing

0002BP10XYNA
REVISIONS




EXTEND THE PAD 18" BEYOND EACH SIDE OF THE TRANSFORMER.

3PH Padmount Transformer 60Hz
300.0 kVA KNAN 65 AWR FR3
HV 12470D 95 kV BIL
LV 480Y/277 30 kV BIL
3.28 %Iz

Munsell Green Topcoat
Mild Steel Construction
FM Approved for Outdoor Use

SO 213380261
PO 03042018LM1
Customer MYERS & ASSOC ELECTRICAL SALES
Project OSU DRAWINGS

MATERIAL:		 Powering Business Worldwide			
ALL DIMENSIONS ARE IN INCHES [MM]					
THE INFORMATION ON THIS DOCUMENT WAS CREATED BY EATON. IT WAS DISCLOSED IN CONFIDENCE AND IS ONLY TO BE USED FOR THE PURPOSE IN WHICH IT WAS SUPPLIED.		TITLE: Distribution Transformer Outline Drawing			
THIS DRAWING HAS BEEN GENERATED FROM A 3D MODEL.		DESC: COOPER POWER SERIES THREE-PHASE PAD-MOUNTED COMPARTMENTAL TYPE			
DWG: PTP	DATE: 4/10/2018	REF: P3D V03R09M00	SHEET #: 1 OF 1	SCALE: 00	REV: 00
0002BP10XYNA					



COOPER POWER SERIES

3φ DISTRIBUTION TRANSFORMER ASSEMBLED IN WAUKESHA, WI U.S.A

300 65°C 60Hz

NAMEPLATE 0002BP10XYNA

12470 KNAN

480Y/277 3.28 %IZ @85°C MFG DATE

HV KV BIL 95
HV NEUTRAL KV BIL --
LV KV BIL 30
HV/LV CONDUCTOR CU/CU

PCB CONTENT LESS THAN 1 PPM AT TIME OF MANUFACTURE
CAUTION - READ INSTRUCTION MANUAL MN202001EN
EF CARD FOR VFI CONTROL

APPROX. WEIGHT IN LBS.

CORE & COIL UNTANKING 1562

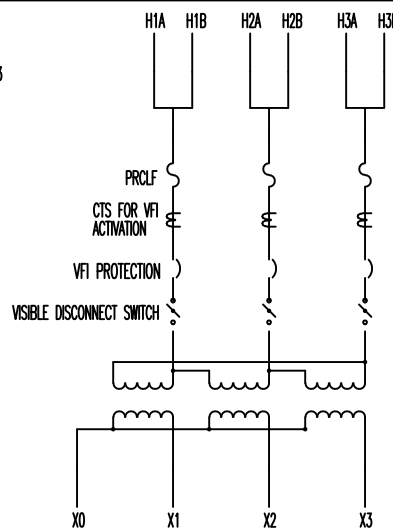
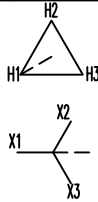
TANK & FIT 2020

FLUID: FR3™ 3118
GALLONS: 406

TOTAL 6700

Table with 3 columns: TAP, VOLTAGE, MAX AMPS. Rows A-E with values: A (13090, 13.2), B (12780, 13.6), C (12470, 13.9), D (12160, 14.2), E (11850, 14.6)

MAX AMPS AT 300 KVA
%IZ AT BASE KVA AND RATED VOLTAGE
DOE EFFICIENCY COMPLIANT



PRCLF = CBUC15100C100
VFI MAXIMUM MIN TRIP = 70 AMPS

- NOTES: 1) ACTUAL PLATE IS A NEGATIVE OF THE ABOVE DRAWING.
2) ACTUAL %IZ TO BE STAMPED IN AFTER TESTING.

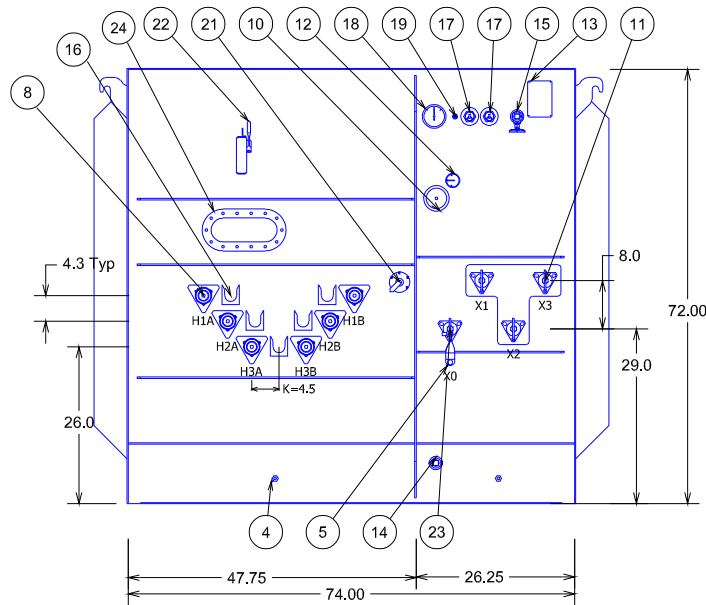
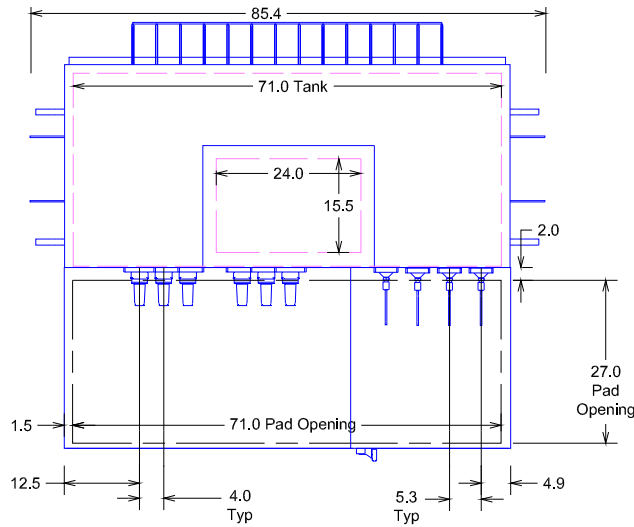
NAMEPLATE MATERIAL: ALUMINUM

213228016,41

1189610A8500 REVISIONS

Table with columns for MATERIAL, DIMENSIONS, TITLE, DESC, DWG, DATE, REF, SHEET #, SCALE, REV. Includes Eaton logo and part number 1189610A8500.

ITE	DESCRIPTION
1	Bolted Cover w/ Handhole w/ Nutguard
2	Cooling Corrugate
3	Current Limiting Backup Fuses (Internal)
4	Ground Nut .50-13 Tap
5	Ground Strap and Nut
6	15.0kV (12.7kV MCOV) Elbow Arrester (boxed)
7	High Security Cabinet w/ Pentahead Door Bolts
8	35kV 200 Amp HV Bushing Well w/ 15kV Insert
9	Lifting Lug
10	Liquid Temperature Gauge
11	1.2kV LV Bushing w/6 Hole Spade
12	Magnetic Oil Level Gauge
13	Nameplate
14	One Inch Drain Plug
15	One Inch Upper Fill Valve
16	Parking Stand
17	Pressure Relief Valve
18	Pressure Vacuum Gauge
19	Schrader Valve
20	Tank Base w/ Jacking and Rolling Facilities
21	5-Position Tap Changer
22	Vacuum Fault Interrupter
23	X0 Bushing
24	Visible Disconnect Window



EXTEND THE PAD 18" BEYOND EACH SIDE OF THE TRANSFORMER.

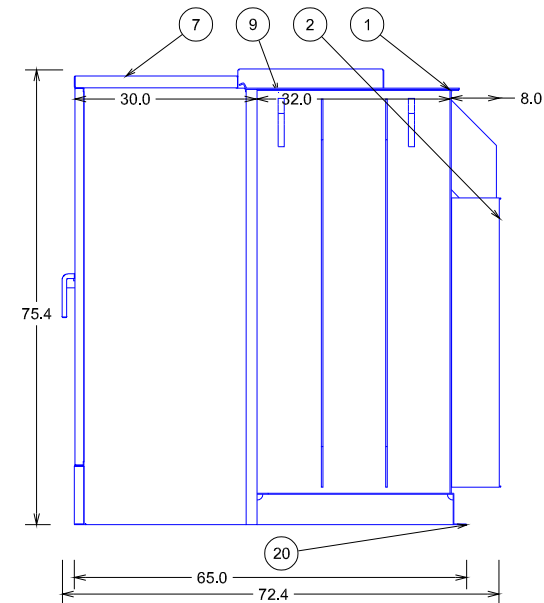
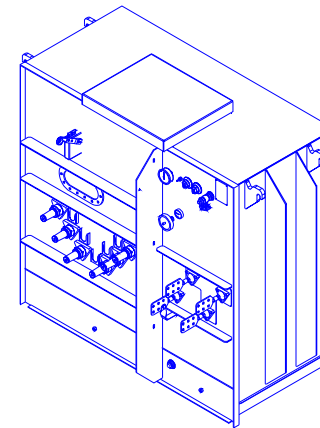
3PH Padmount Transformer 60Hz
 500.0 kVA KNAN 65 AWR FR3
 HV 12470D 95 kV BIL
 LV 208Y/120 30 kV BIL
 Munsell Green Topcoat
 Mild Steel Construction
 FM Approved for Outdoor Use


Sales Order : 212897968
 Customer Name : ECONOMY SUPPLY INC
 Purchase Order : 200629284

Cabinet Removed

0002AP11XYCA

REVISIONS



MATERIAL:		 Powering Business Worldwide		
ALL DIMENSIONS ARE IN INCHES [MM]				
THE INFORMATION ON THIS DOCUMENT WAS CREATED BY EATON. IT WAS DISCLOSED IN CONFIDENCE AND IS ONLY TO BE USED FOR THE PURPOSE IN WHICH IT WAS SUPPLIED.		TITLE: Distribution Transformer Outline Drawing		
		DESC: COOPER POWER SERIES THREE-PHASE PAD-MOUNTED COMPARTMENTAL TYPE		
DWG: PTP	DATE: 2/22/2018	REF: P3D V03R08M11	SHEET #: 1 OF 1	SCALE: REV: 00
THIS DRAWING HAS BEEN GENERATED FROM A 3D MODEL.		0002AP11XYCA		



COOPER POWER SERIES

3φ DISTRIBUTION TRANSFORMER ASSEMBLED IN WAUKESHA, WI U.S.A

500 65°C 60Hz

NAMEPLATE 0002AP11XYCA

12470 KNAN

208Y/120 3.72 %IZ @85°C MFG DATE

HV KV BIL 95 HV NEUTRAL KV BIL -- LV KV BIL 30 HV/LV CONDUCTOR CU/CU PCB CONTENT LESS THAN 1 PPM AT TIME OF MANUFACTURE CAUTION - READ INSTRUCTION MANUAL MN202001EN

APPROX. WEIGHT IN LBS.

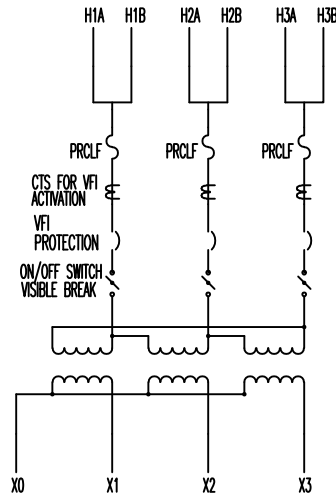
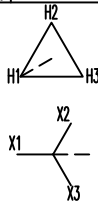
CORE & COIL UNTANKING 2290

TANK & FIT 2308

FLUID: FR3™ GALLONS: 445 3418

TOTAL 8016

TAP	VOLTAGE	MAX AMPS
A	13090	22.1
B	12780	22.6
C	12470	23.1
D	12160	23.7
E	11850	24.4



MAX AMPS AT 500 KVA %IZ AT BASE KVA AND RATED VOLTAGE DOE EFFICIENCY COMPLIANT

PRCLF = CBUC15125C100 VFI MAXIMUM MIN TRIP = 120A

- NOTES: 1) ACTUAL PLATE IS A NEGATIVE OF THE ABOVE DRAWING.
2) ACTUAL %IZ TO BE STAMPED IN AFTER TESTING.

NAMEPLATE MATERIAL: ALUMINUM

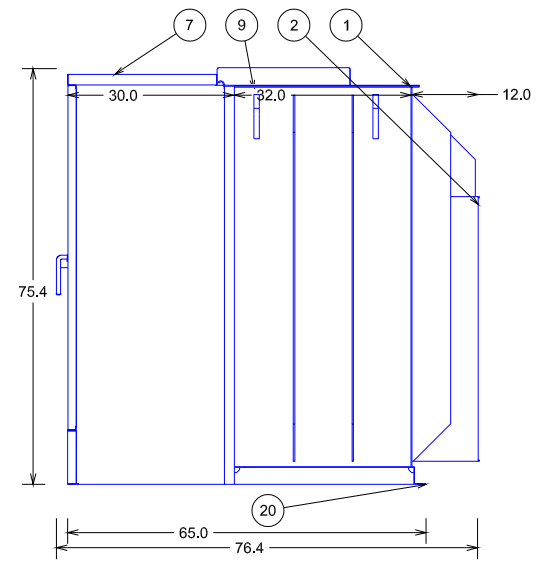
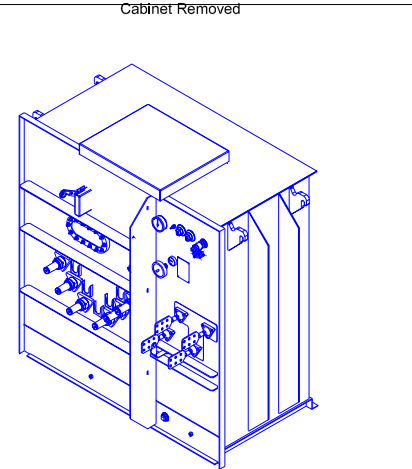
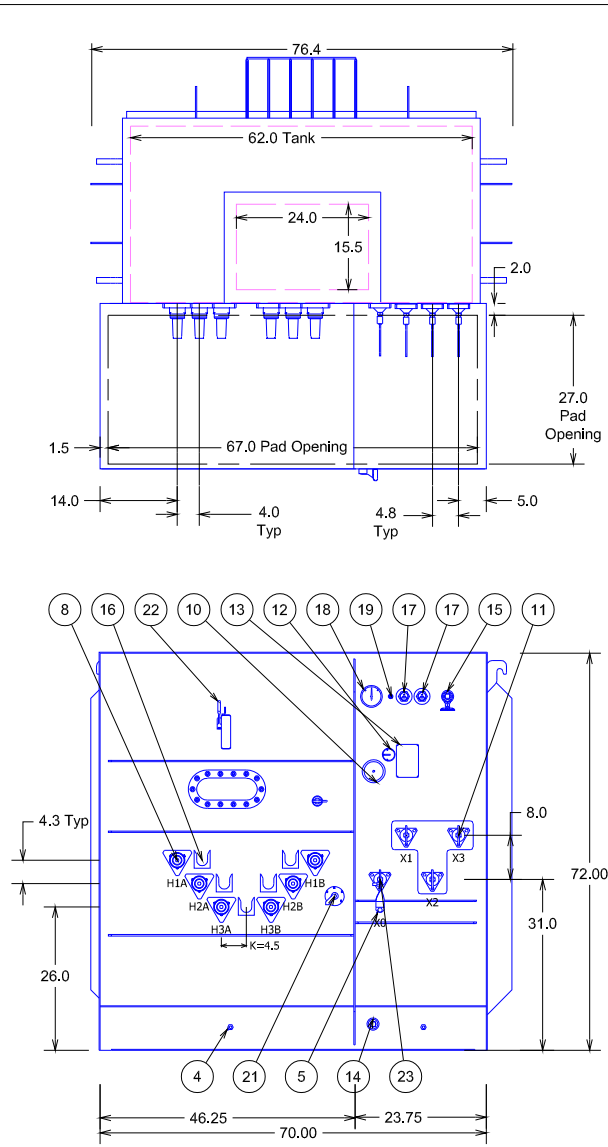
212897968,15

1189610A7918 REVISIONS

MATERIAL:			
ALL DIMENSIONS ARE IN INCHES [MM]		TITLE: LASER NAMEPLATE	
THE INFORMATION ON THIS DOCUMENT WAS CREATED BY EATON. IT WAS DISCLOSED IN CONFIDENCE AND IS ONLY TO BE USED FOR THE PURPOSE IN WHICH IT WAS SUPPLIED.		DESC: COOPER POWER SERIES 0002AP11XYCA	
DWG: PTP	DATE: 2/26/2018	REF:	SHEET #: 1 of 1
			SCALE: 1=1
			REV: 00
1189610A7918			

ITE	DESCRIPTION
1	Bolted Cover w/ Handhole w/ Nutguard
2	Cooling Corrugate
3	Current Limiting Backup Fuses (Internal)
4	Ground Nut .50-13 Tap
5	Ground Strap and Nut
6	18.0kV (15.3kV MCOV) Elbow Arrester (boxed)
7	High Security Cabinet w/ Pentahead Door Bolts
8	35kV 200 Amp HV Bushing Well w/ 15kV Insert
9	Lifting Lug
10	Liquid Temperature Gauge
11	1.2kV LV Bushing w/6 Hole Spade
12	Magnetic Oil Level Gauge
13	Nameplate
14	One Inch Drain Plug
15	One Inch Upper Fill Valve
16	Parking Stand
17	Pressure Relief Valve
18	Pressure Vacuum Gauge
19	Schrader Valve
20	Tank Base w/ Jacking and Rolling Facilities
21	5-Position Tap Changer
22	Vacuum Fault Interrupter with Visible Disconnect Switch
23	X0 Bushing

EXTEND THE PAD 18" BEYOND EACH SIDE OF THE TRANSFORMER.



3PH Padmount Transformer 60Hz
 500.0 kVA KNAN 65 AWR FR3
 HV 12470D 95 kV BIL
 LV 480Y/277 30 kV BIL
 3.24 %IZ

Munsell Green Topcoat
 Mild Steel Construction
 FM Approved for Outdoor Use

SO 213380261
 PO 03042018LM1
 Customer MYERS & ASSOC ELECTRICAL SALES
 Project OSU DRAWINGS

MATERIAL:
 ALL DIMENSIONS ARE IN INCHES [MM]
 THE INFORMATION ON THIS DOCUMENT WAS CREATED BY EATON. IT WAS DISCLOSED IN CONFIDENCE AND IS ONLY TO BE USED FOR THE PURPOSE IN WHICH IT WAS SUPPLIED.
 THIS DRAWING HAS BEEN GENERATED FROM A 3D MODEL.

EATON
Powering Business Worldwide

TITLE: Distribution Transformer Outline Drawing
 DESC: **COOPER POWER SERIES** THREE-PHASE PAD-MOUNTED COMPARTMENTAL TYPE

DWG: PTP	DATE: 4/10/2018	REF: P3D V03R09M00	SHEET #: 1 OF 1	SCALE:	REV: 00
----------	-----------------	--------------------	-----------------	--------	---------

0002BP11XYRA

0002BP11XYRA
 REVISIONS



COOPER POWER SERIES

3φ DISTRIBUTION TRANSFORMER ASSEMBLED IN WAUKESHA, WI U.S.A

500 65°C 60Hz

NAMEPLATE 0002BP11XYRA

12470 KNAN

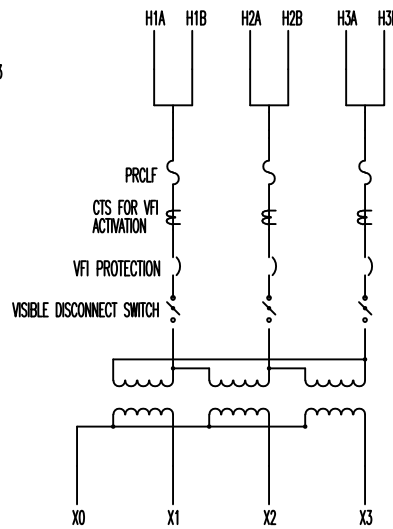
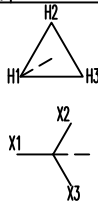
480Y/277 3.24%IZ @85°C MFG DATE

HV KV BIL 95
HV NEUTRAL KV BIL --
LV KV BIL 30
HV/LV CONDUCTOR CU/CU

PCB CONTENT LESS THAN 1 PPM AT TIME OF MANUFACTURE
CAUTION - READ INSTRUCTION MANUAL MN202001EN
EF CARD FOR VFI CONTROL

APPROX. WEIGHT IN LBS.

Table with 2 columns: Component, Weight. Rows: CORE & COIL UNTANKING (2118), TANK & FIT (2134), FLUID: FR3™ GALLONS: 403 (3095), TOTAL (7347)



MAX AMPS AT 500 KVA
%IZ AT BASE KVA AND RATED VOLTAGE
DOE EFFICIENCY COMPLIANT

PRCLF = CBUC15165D100
VFI MAXIMUM MIN TRIP = 120 AMPS

- NOTES: 1) ACTUAL PLATE IS A NEGATIVE OF THE ABOVE DRAWING. 2) ACTUAL %IZ TO BE STAMPED IN AFTER TESTING.

NAMEPLATE MATERIAL: ALUMINUM

213228016,52

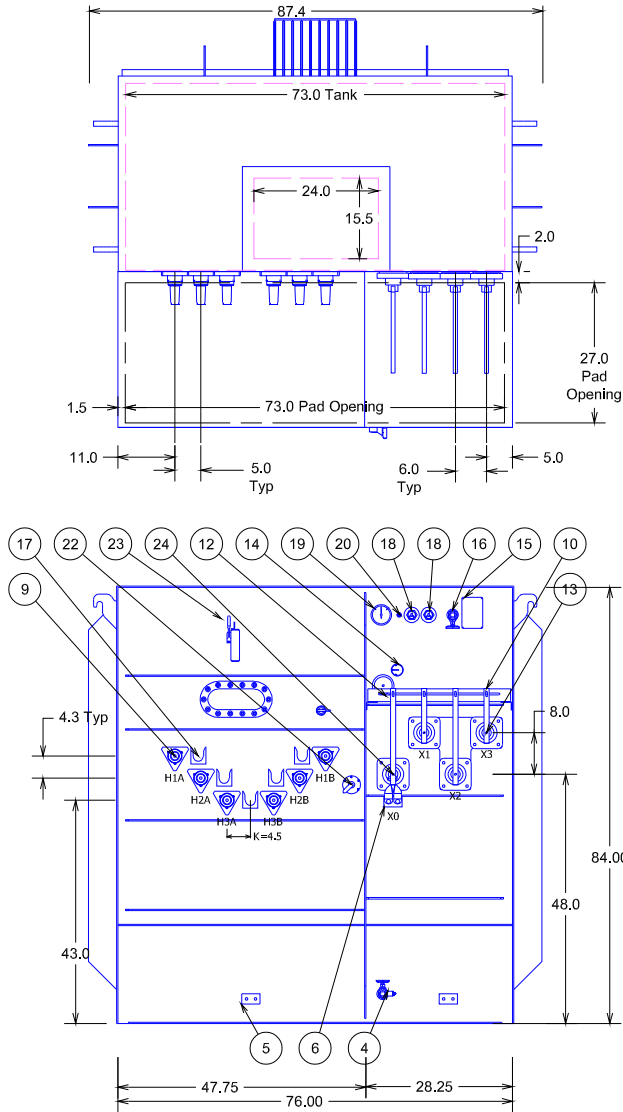
1189610A8491 REVISIONS

Table with 2 main columns: MATERIAL and EATON logo. Includes title 'LASER NAMEPLATE', description 'COOPER POWER SERIES 0002BP11XYRA', and revision table with DWG: PTP, DATE: 4/11/2018, REF: , SHEET #: 1 of 1, SCALE: 1=1, REV: 00.

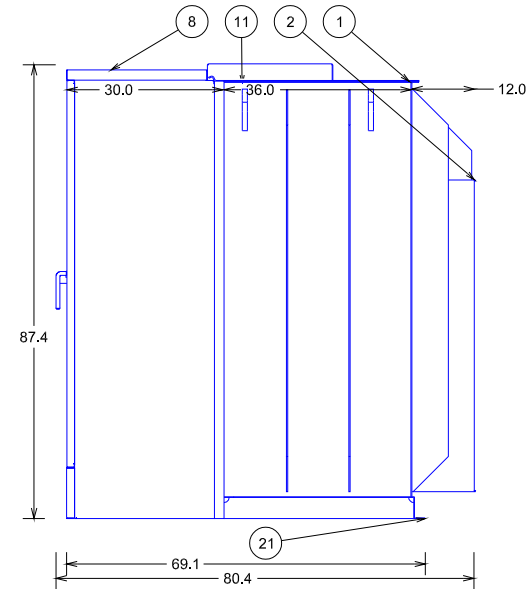
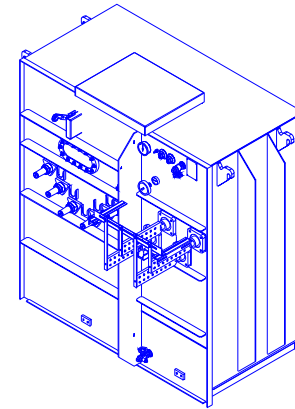
1189610A8491

ITE	DESCRIPTION
1	Bolted Cover w/ Handhole w/ Nutguard
2	Cooling Corrugate
3	Current Limiting Backup Fuses (Internal)
4	Drain Valve with Sampler
5	Ground Pad .50-13 Tap
6	Ground Strap and Pad
7	18.0kV (15.3kV MCOV) Elbow Arrester (boxed)
8	High Security Cabinet w/ Pentahed Door Bolts
9	35kV 200 Amp HV Bushing Well w/ 15kV Insert
10	LV Bushing Support
11	Lifting Lug
12	Liquid Temperature Gauge
13	1.2kV LV Bushing w/16 Hole Spade Supported
14	Magnetic Oil Level Gauge
15	Nameplate
16	One Inch Upper Fill Valve
17	Parking Stand
18	Pressure Relief Valve
19	Pressure Vacuum Gauge
20	Schrader Valve
21	Tank Base w/ Jacking and Rolling Facilities
22	5-Position Tap Changer
23	Vacuum Fault Interrupter with Visible Disconnect Switch
24	X0 Bushing

EXTEND THE PAD 18" BEYOND EACH SIDE OF THE TRANSFORMER.



Cabinet Removed



0002BP12XYWA

REVISIONS

3PH Padmount Transformer 60Hz
750.0 kVA KNAN 65 AWR FR3
HV 12470D 95 kV BIL
LV 208Y/120 30 kV BIL
5.75 %IZ

Munsell Green Topcoat
Mild Steel Construction
FM Approved for Outdoor Use

SO 213380261
PO 03042018LM1
Customer MYERS & ASSOC ELECTRICAL SALES
Project OSU DRAWINGS

MATERIAL:

ALL DIMENSIONS ARE IN INCHES (MM)

THE INFORMATION ON THIS DOCUMENT WAS CREATED BY EATON. IT WAS DISCLOSED IN CONFIDENCE AND IS ONLY TO BE USED FOR THE PURPOSE IN WHICH IT WAS SUPPLIED.

THIS DRAWING HAS BEEN GENERATED FROM A 3D MODEL.



TITLE: Distribution Transformer Outline Drawing
DESC: COOPER POWER SERIES THREE-PHASE PAD-MOUNTED COMPARTMENTAL TYPE

DWG: PTP	DATE: 4/11/2018	REF: P3D V03R09M00	SHEET #: 1 OF 1	SCALE: 01
----------	-----------------	--------------------	-----------------	-----------

0002BP12XYWA



COOPER POWER SERIES

3φ DISTRIBUTION TRANSFORMER ASSEMBLED IN WAUKESHA, WI U.S.A

750 65°C 60Hz

0002BP12XYWA

12470 KNAN

208Y/120 5.75 %IZ @85°C MFG DATE

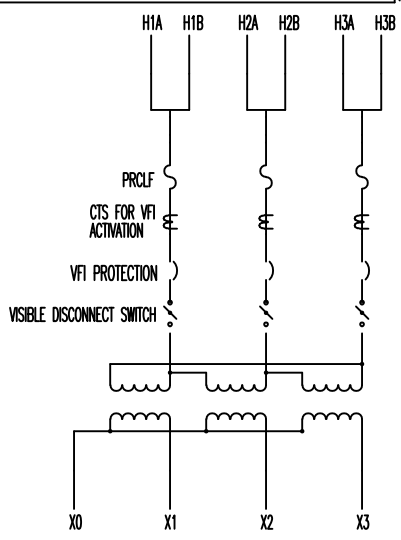
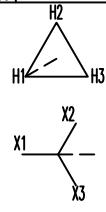
HV KV BIL 95
HV NEUTRAL KV BIL --
LV KV BIL 30
HV/LV CONDUCTOR CU/CU

PCB CONTENT LESS THAN 1 PPM AT TIME OF MANUFACTURE
CAUTION - READ INSTRUCTION MANUAL MN202001EN
EF CARD FOR VFI CONTROL

Table with 2 columns: Component, Weight (LBS). Rows include APPROX. WEIGHT IN LBS., CORE & COIL UNTANKING (3227), TANK & FIT (3016), FLUID: FR3™ GALLONS: 684 (5253), TOTAL (11496).

Table with 3 columns: TAP, VOLTAGE, MAX AMPS. Rows include A (13090, 33.1), B (12780, 33.9), C (12470, 34.7), D (12160, 35.6), E (11850, 36.5).

MAX AMPS AT 750 KVA
%IZ AT BASE KVA AND RATED VOLTAGE
DOE EFFICIENCY COMPLIANT



PRCLF = CBUC15150D100
VFI MAXIMUM MIN TRIP = 180 AMPS

- NOTES: 1) ACTUAL PLATE IS A NEGATIVE OF THE ABOVE DRAWING. 2) ACTUAL %IZ TO BE STAMPED IN AFTER TESTING.

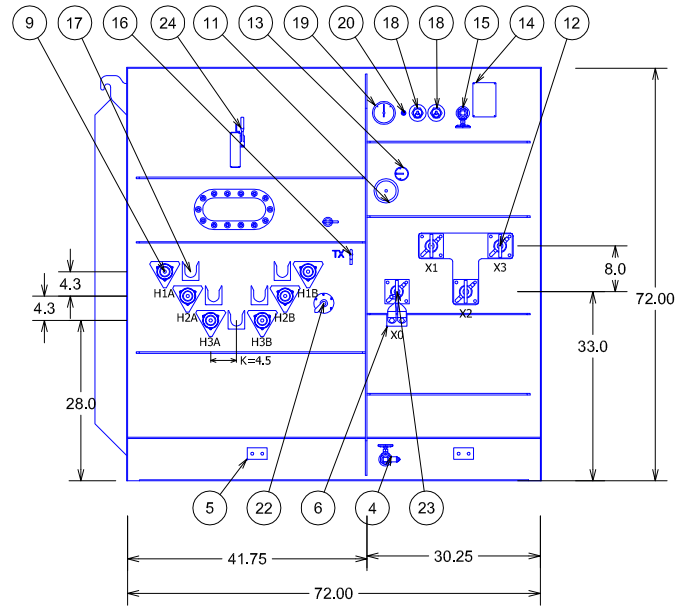
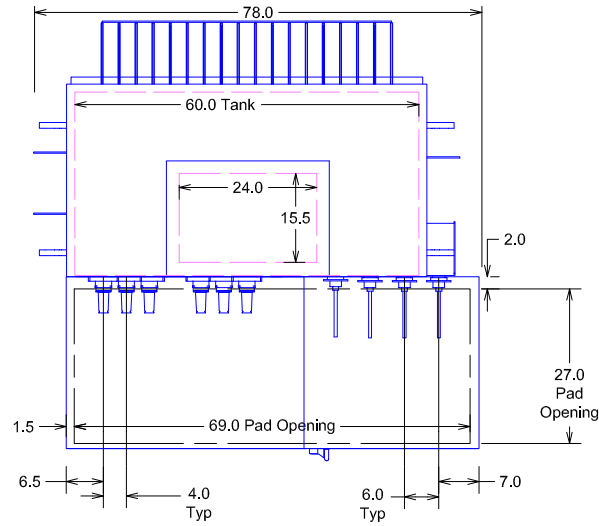
NAMEPLATE MATERIAL: ALUMINUM

213228016,16

1189610A8514 REVISIONS

Technical drawing header containing Eaton logo, title (LASER NAMEPLATE), description (COOPER POWER SERIES 0002BP12XYWA), date (4/11/2018), and part number (1189610A8514).

ITE	DESCRIPTION
1	Bolted Cover w/ Handhole w/ Nutguard
2	Cooling Corrugate
3	Current Limiting Backup Fuses (Internal)
4	Drain Valve with Sampler
5	Ground Pad .50-13 Tap
6	Ground Strap and Pad
7	15.0kV (12.7kV MCOV) Elbow Arrester (boxed)
8	High Security Cabinet w/ Pentahead Door Bolts
9	35kV 200 Amp HV Bushing Well w/ 15kV Insert
10	Lifting Lug
11	Liquid Temperature Gauge
12	1.2kV LV Bushing w/8 Hole Spade
13	Magnetic Oil Level Gauge
14	Nameplate
15	One Inch Upper Fill Valve
16	Two Position Loadbreak Switch
17	Parking Stand
18	Pressure Relief Valve
19	Pressure Vacuum Gauge
20	Schrader Valve
21	Tank Base w/ Jacking and Rolling Facilities
22	5-Position Tap Changer
23	X0 Bushing
24	Vacuum Fault Interrupter w/ Visible Disconnect Switch



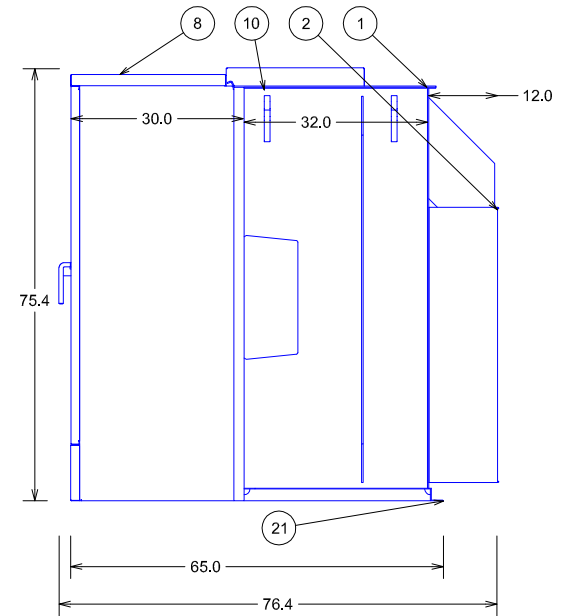
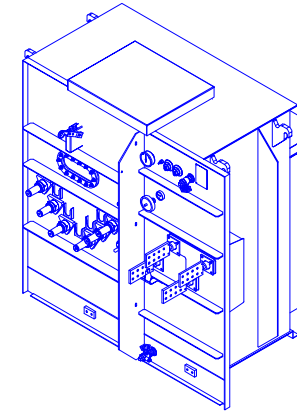
EXTEND THE PAD 18" BEYOND EACH SIDE OF THE TRANSFORMER.


3PH Padmount Transformer 60Hz
 750.0 kVA KNAN 65 AWR FR3
 HV 12470D 95 kV BIL
 LV 480Y/277 30 kV BIL

Munsell Green Topcoat
 Mild Steel Construction
 FM Approved for Outdoor Use

Cabinet Removed

00026P12X7JA
 REVISIONS



MATERIAL:		 Powering Business Worldwide		
ALL DIMENSIONS ARE IN INCHES [MM]				
THE INFORMATION ON THIS DOCUMENT WAS CREATED BY EATON. IT WAS DISCLOSED IN CONFIDENCE AND IS ONLY TO BE USED FOR THE PURPOSE IN WHICH IT WAS SUPPLIED.		TITLE: Distribution Transformer Outline Drawing		
		DESC: COOPER POWER SERIES THREE-PHASE PAD-MOUNTED COMPARTMENTAL TYPE		
DWG: PTP	DATE: 5/17/2017	REF: P3D V03R08M03	SHEET #: 1 OF 1	SCALE: REV: 00
THIS DRAWING HAS BEEN GENERATED FROM A 3D MODEL.		00026P12X7JA		



COOPER POWER SERIES

3φ DISTRIBUTION TRANSFORMER ASSEMBLED IN WAUKESHA, WI U.S.A

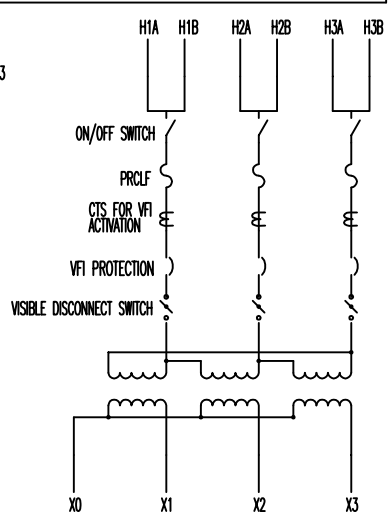
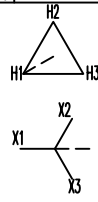
KV	750	65°C	60Hz
MANUFACTURE	C 00026P12X7JA		
V	12470	KNAN	
V	480Y/277	5.74 %IZ @85°C	MFG DATE
HV KV BIL	95	PCB CONTENT LESS THAN 1 PPM AT TIME OF MANUFACTURE	
HV NEUTRAL KV BIL	--	CAUTION - READ INSTRUCTION MANUAL MN202001EN	
LV KV BIL	30		
HV/LV CONDUCTOR	CU/ CU		

APPROX. WEIGHT IN LBS.

CORE & COIL UNTANKING	2657
TANK & FIT	2423
FLUID: FR3™ GALLONS: 399	3064
TOTAL	8144

TAP	VOLTAGE	MAX AMPS
A	13090	33.1
B	12780	33.9
C	12470	34.7
D	12160	35.6
E	11850	36.5

MAX AMPS AT 750 KVA
 %IZ AT BASE KVA AND RATED VOLTAGE
 DOE EFFICIENCY COMPLIANT



PRCLF = CBUC15150D100
 VFI MAXIMUM MIN TRIP = 180 AMPS

- NOTES: 1) ACTUAL PLATE IS A NEGATIVE OF THE ABOVE DRAWING.
 2) ACTUAL %IZ TO BE STAMPED IN AFTER TESTING.

NAMEPLATE MATERIAL: ALUMINUM

211257372,23

1189610A4438 REVISIONS

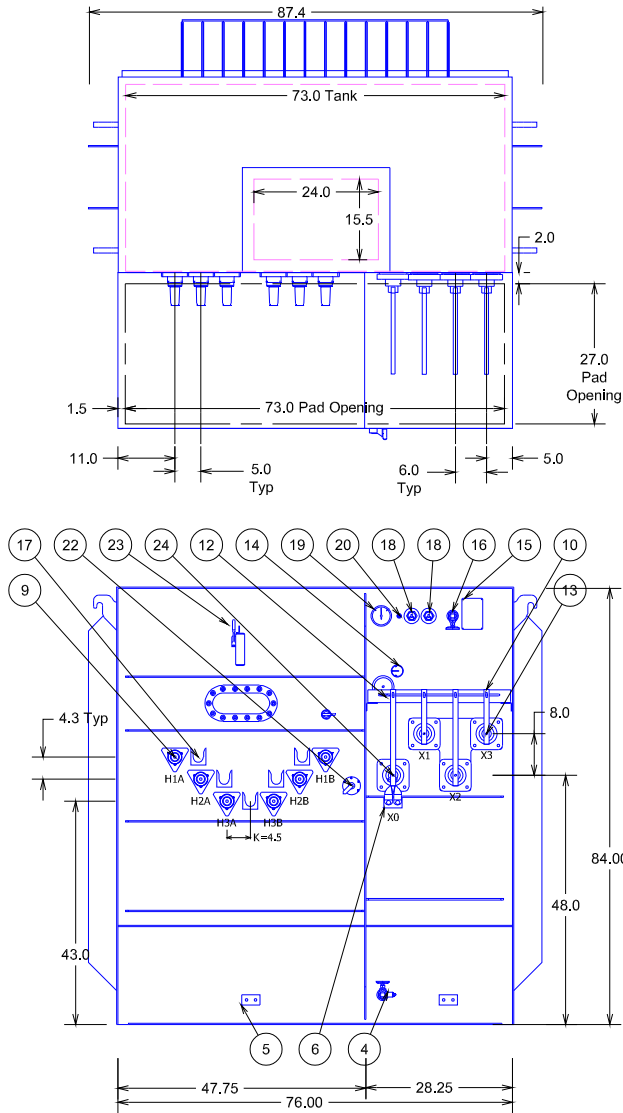
MATERIAL:			
ALL DIMENSIONS ARE IN INCHES [MM]		Powering Business Worldwide	
THE INFORMATION ON THIS DOCUMENT WAS CREATED BY EATON. IT WAS DISCLOSED IN CONFIDENCE AND IS ONLY TO BE USED FOR THE PURPOSE IN WHICH IT WAS SUPPLIED.			
TITLE: LASER NAMEPLATE		DESC: COOPER POWER SERIES 00026P12X7JA	
DWG: PTP	DATE: 5/18/2017	REF:	SHEET #: 1 of 1 SCALE: 1=1 REV: 00
1189610A4438			

ITE	DESCRIPTION
1	Bolted Cover w/ Handhole w/ Nutguard
2	Cooling Corrugate
3	Current Limiting Backup Fuses (Internal)
4	Drain Valve with Sampler
5	Ground Pad .50-13 Tap
6	Ground Strap and Pad
7	18.0kV (15.3kV MCOV) Elbow Arrester (boxed)
8	High Security Cabinet w/ Pentahead Door Bolts
9	35kV 200 Amp HV Bushing Well w/ 15kV Insert
10	LV Bushing Support
11	Lifting Lug
12	Liquid Temperature Gauge
13	1.2kV LV Bushing w/16 Hole Spade Supported
14	Magnetic Oil Level Gauge
15	Nameplate
16	One Inch Upper Fill Valve
17	Parking Stand
18	Pressure Relief Valve
19	Pressure Vacuum Gauge
20	Schrader Valve
21	Tank Base w/ Jacking and Rolling Facilities
22	5-Position Tap Changer
23	Vacuum Fault Interrupter with Vtstble Disconnect Switch
24	X0 Bushing

EXTEND THE PAD 18" BEYOND EACH SIDE OF THE TRANSFORMER.

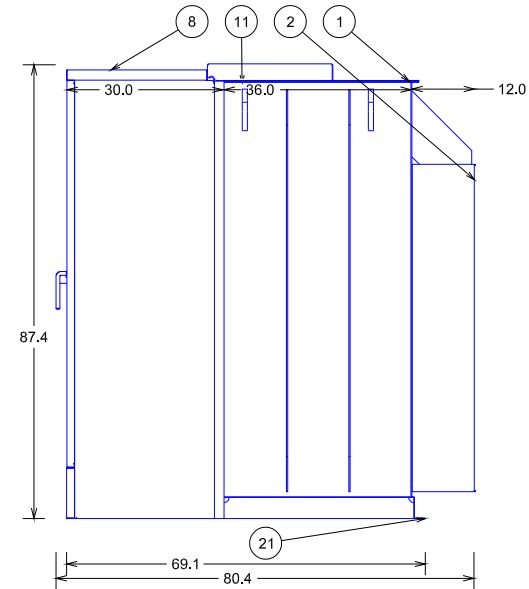
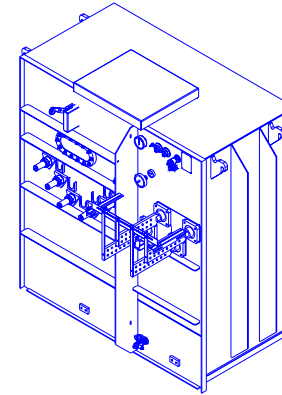
3PH Padmount Transformer 60Hz
 1000.0 kVA KNAN 65 AWR FR3
 HV 12470D 95 kV BIL
 LV 208Y/120 30 kV BIL
 5.73 %IZ

Munsell Green Topcoat
 Mild Steel Construction
 FM Approved for Outdoor Use




SO 213380261
 PO 03042018LM1
 Customer MYERS & ASSOC ELECTRICAL SALES
 Project OSU DRAWINGS

Cabinet Removed



0002BP13XYXA
 REVISIONS

MATERIAL:		 Powering Business Worldwide	
ALL DIMENSIONS ARE IN INCHES (MM)			
THE INFORMATION ON THIS DOCUMENT WAS CREATED BY EATON. IT WAS DISCLOSED IN CONFIDENCE AND IS ONLY TO BE USED FOR THE PURPOSE IN WHICH IT WAS SUPPLIED.		TITLE: Distribution Transformer Outline Drawing	
		DESC: COOPER POWER SERIES THREE-PHASE PAD-MOUNTED COMPARTMENTAL TYPE	
DWG: PTP	DATE: 4/11/2018	REF: P3D V03R09M00	SHEET #: 1 OF 1
THIS DRAWING HAS BEEN GENERATED FROM A 3D MODEL.		SCALE: 03	REV: 03
0002BP13XYXA			



COOPER POWER SERIES

3φ DISTRIBUTION TRANSFORMER ASSEMBLED IN WAUKESHA, WI U.S.A

1000 65°C 60Hz

NAMEPLATE 0002BP13XYXA

12470 KNAN

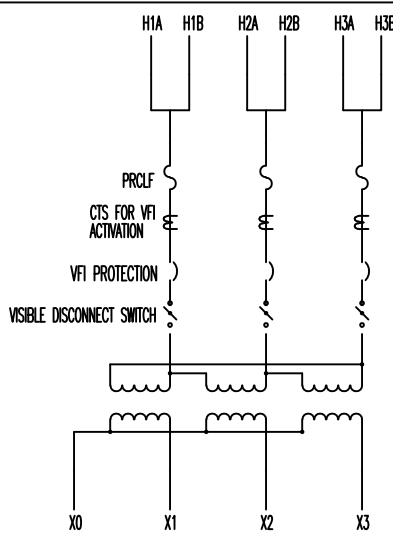
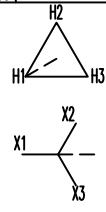
208Y/120 5.73%IZ @85°C MFG DATE

HV KV BIL 95 PCB CONTENT LESS THAN 1 PPM AT TIME OF MANUFACTURE
HV NEUTRAL KV BIL -- CAUTION - READ INSTRUCTION MANUAL MN202001EN
LV KV BIL 30 EF CARD FOR VFI CONTROL
HV/LV CONDUCTOR CU/CU

Table with 2 columns: Component, Weight (LBS). Rows include APPROX. WEIGHT IN LBS., CORE & COIL UNTANKING (4047), TANK & FIT (3113), FLUID: FR3™ GALLONS: 672 (5161), TOTAL (12321).

Table with 3 columns: TAP, VOLTAGE, MAX AMPS. Rows include A (13090, 44.1), B (12780, 45.2), C (12470, 46.3), D (12160, 47.5), E (11850, 48.7).

MAX AMPS AT 1000 KVA
%IZ AT BASE KVA AND RATED VOLTAGE
DOE EFFICIENCY COMPLIANT



PRCLF = CBUC15165D100
VFI MAXIMUM MIN TRIP = 230 AMPS

- NOTES: 1) ACTUAL PLATE IS A NEGATIVE OF THE ABOVE DRAWING. 2) ACTUAL %IZ TO BE STAMPED IN AFTER TESTING.

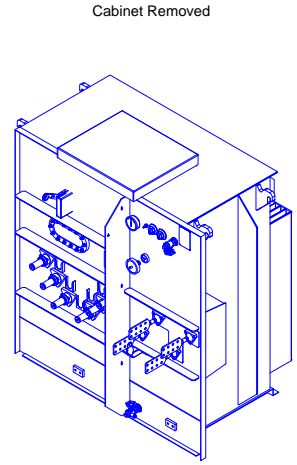
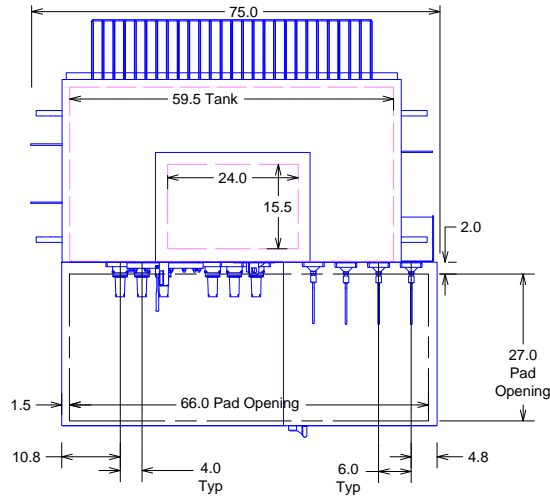
NAMEPLATE MATERIAL: ALUMINUM

213228016,17

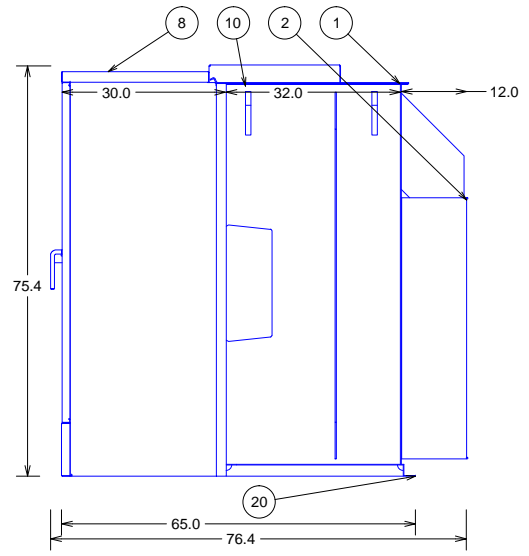
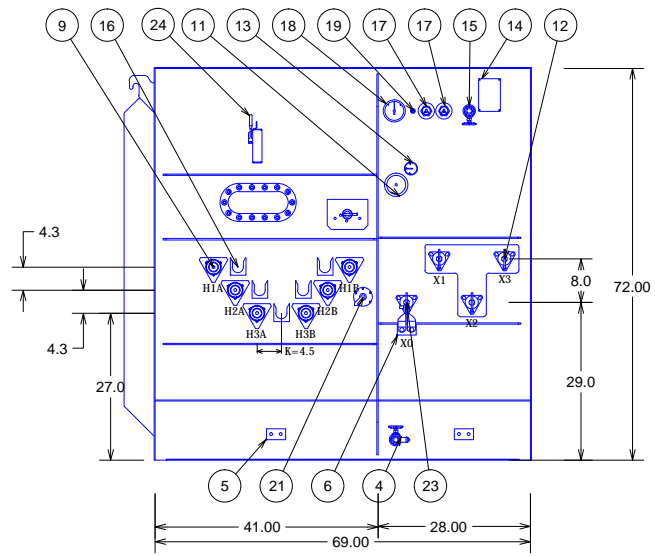
1189610A8513 REVISIONS

Technical drawing footer containing material info, Eaton logo, title 'LASER NAMEPLATE', description 'COOPER POWER SERIES 0002BP13XYXA', and part number '1189610A8513'.

ITE	DESCRIPTION
1	Bolted Cover w/ Handhole w/ Nutguard
2	Cooling Corrugate
3	Current Limiting Backup Fuses (Internal)
4	Drain Valve with Sampler
5	Ground Pad .50-13 Tap
6	Ground Strap and Pad
7	15.0kV (12.7kV MCOV) Elbow Arrester (boxed)
8	High Security Cabinet w/ Pentahead Door Bolts
9	35kV 200 Amp HV Bushing Well w/ 15kV Insert
10	Lifting Lug
11	Liquid Temperature Gauge
12	1.2kV LV Bushing w/8 Hole Spade
13	Magnetic Oil Level Gauge
14	Nameplate
15	One Inch Upper Fill Valve
16	Parking Stand
17	Pressure Relief Valve
18	Pressure Vacuum Gauge
19	Schrader Valve
20	Tank Base w/ Jacking and Rolling Facilities
21	5-Position Tap Changer
23	X0 Bushing
24	Vacuum Fault Interrupter w/ Two-Position Visible Disconnect Switch



00026P13X1MA
REVISIONS



EXTEND THE PAD 18" BEYOND EACH SIDE OF THE TRANSFORMER.

3PH Padmount Transformer 60Hz
1000.0 kVA KNAN 65 AWR FR3
HV 12470D 95 kV BIL
LV 480Y/277 30 kV BIL
Munsell Green Topcoat
Mild Steel Construction
FM Approved for Outdoor Use

SO: 211165853
PO: 200627620
Economy Supply Inc.
OSU

MATERIAL:		EATON <i>Powering Business Worldwide</i>	
ALL DIMENSIONS ARE IN INCHES (MM)		TITLE: Distribution Transformer Outline Drawing	
THE INFORMATION ON THIS DOCUMENT WAS CREATED BY EATON. IT WAS DISCLOSED IN CONFIDENCE AND IS ONLY TO BE USED FOR THE PURPOSE IN WHICH IT WAS SUPPLIED.		DESC: COOPER POWER SERIES THREE-PHASE PAD-MOUNTED COMPARTMENTAL TYPE	
DWG: PTP	DATE: 5/3/2017	REF: P3D V03R08M03	SHEET #: 1 OF 1
THIS DRAWING HAS BEEN GENERATED FROM A 3D MODEL.		SCALE:	REV: 00
00026P13X1MA			

EATON COOPER POWER SERIES 3 ϕ DISTRIBUTION TRANSFORMER ASSEMBLED IN WAUKESHA, WI U.S.A

KVA 1000	65°C 60Hz
WCP# 00026P13X1MA	
V 12470	KNAN
V 480Y/277	5.73 %IZ @85°C MFG DATE
HV KV BIL 95 HV NEUTRAL KV BIL --- LV KV BIL 30 HV/LV CONDUCTOR CU/ CU	PCB CONTENT LESS THAN 1 PPM AT TIME OF MANUFACTURE CAUTION - READ INSTRUCTION MANUAL MN202001EN EF CARD

APPROX. WEIGHT IN LBS.	
CORE & COIL UNTANKING	3227
TANK & FIT	2493
FLUID: FR3™ GALLONS: 392	3011
TOTAL	8731

TAP	VOLTAGE	MAX AMPS
A	13090	44.1
B	12780	45.2
C	12470	46.3
D	12160	47.5
E	11850	48.7

PRCLF = CBUC15165D100
VFI MAXIMUM MIN TRIP = 230 AMPS

- NOTES:**
- 1) ACTUAL PLATE IS A NEGATIVE OF THE ABOVE DRAWING.
 - 2) ACTUAL %IZ TO BE STAMPED IN AFTER TESTING.

NAMEPLATE MATERIAL: ALUMINUM

211165583,71

1189610A4265 REVISIONS

MATERIAL:		EATON <small>Powering Business Worldwide</small>			
ALL DIMENSIONS ARE IN INCHES [MM]		TITLE: LASER NAMEPLATE			
THE INFORMATION ON THIS DOCUMENT WAS CREATED BY EATON. IT WAS DISCLOSED IN CONFIDENCE AND IS ONLY TO BE USED FOR THE PURPOSE IN WHICH IT WAS SUPPLIED.		DESC: COOPER POWER SERIES 00026P13X1MA			
DWG: PTP	DATE: 5/4/2017	REF:	SHEET #: 1 of 1	SCALE: 1=1	REV: 00
1189610A4265					

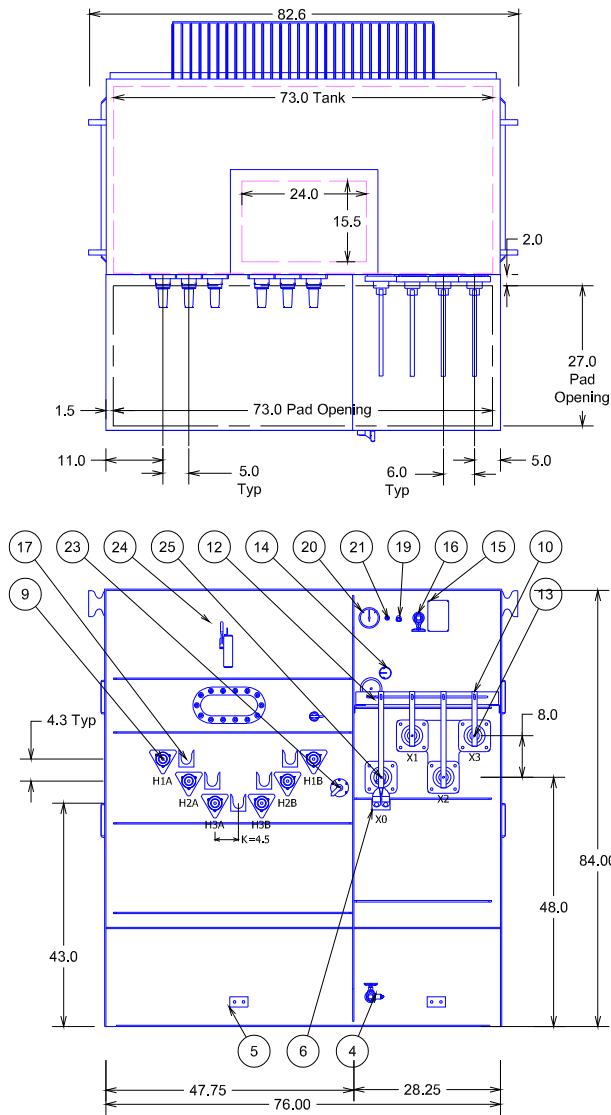
ITE	DESCRIPTION
1	Welded Cover w/ Handhole
2	Cooling Corrugate
3	Current Limiting Backup Fuses (Internal)
4	Drain Valve with Sampler
5	Ground Pad .50-13 Tap
6	Ground Strap and Pad
7	18.0kV (15.3kV MCOV) Elbow Arrester (boxed)
8	High Security Cabinet w/ Pentahead Door Bolts
9	35kV 200 Amp HV Bushing Well w/ 15kV Insert
10	LV Bushing Support
11	Lifting Lug
12	Liquid Temperature Gauge
13	1.2kV LV Bushing w/16 Hole Spade Supported
14	Magnetic Oil Level Gauge
15	Nameplate
16	One Inch Upper Fill Valve
17	Parking Stand
18	Pressure Relief Devlce
19	Pressure Relief Valve
20	Pressure Vacuum Gauge
21	Schrader Valve
22	Tank Base w/ Jacking and Rolling Facilities
23	5-Position Tap Changer
24	Vacuum Fault Interrupter with Visible Disconnect Switch
25	X0 Bushing

EXTEND THE PAD 18" BEYOND EACH SIDE OF THE TRANSFORMER.

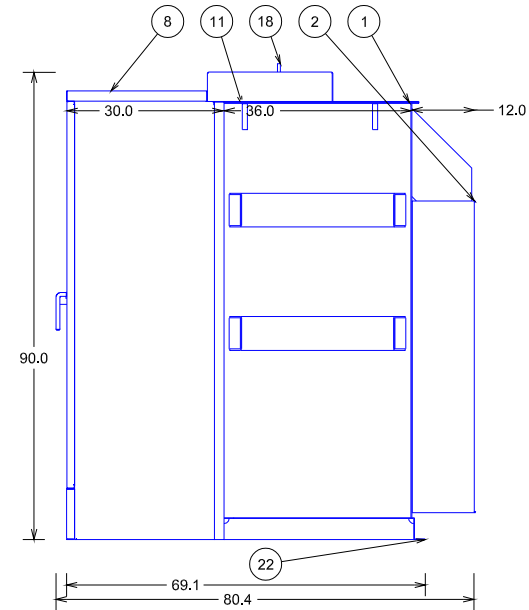
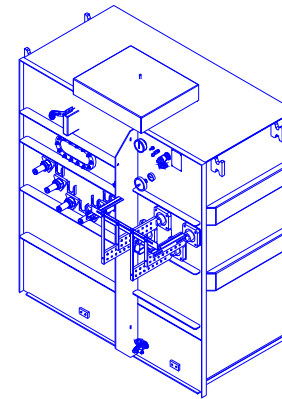
3PH Padmount Transformer 60Hz
 1500.0 kVA KNAN 65 AWR FR3
 HV 12470D 95 kV BIL
 LV 208Y/120 30 kV BIL
 5.74 %IZ

Munsell Green Topcoat
 Mild Steel Construction
 FM Approved for Outdoor Use


SO 213380261
 PO 03042018LM1
 Customer MYERS & ASSOC ELECTRICAL SALES
 Project OSU DRAWINGS



Cabinet Removed



0002BA64XYYA
 REVISIONS

MATERIAL:		 Powering Business Worldwide	
ALL DIMENSIONS ARE IN INCHES (MM)			
THE INFORMATION ON THIS DOCUMENT WAS CREATED BY EATON. IT WAS DISCLOSED IN CONFIDENCE AND IS ONLY TO BE USED FOR THE PURPOSE IN WHICH IT WAS SUPPLIED.		TITLE: Distribution Transformer Outline Drawing	
		DESC: COOPER POWER SERIES THREE-PHASE PAD-MOUNTED COMPARTMENTAL TYPE	
DWG: PTP	DATE: 4/11/2018	REF: P3D V03R09M00	SHEET #: 1 OF 1
THIS DRAWING HAS BEEN GENERATED FROM A 3D MODEL.		SCALE: 00	REV: 00
0002BA64XYYA			



COOPER POWER SERIES

3φ DISTRIBUTION TRANSFORMER ASSEMBLED IN WAUKESHA, WI U.S.A

1500 65°C 60Hz

NAMEPLATE 0002BA64XYA

12470 KNAN

208Y/120 5.74 %IZ @85°C MFG DATE

HV KV BIL 95
HV NEUTRAL KV BIL --
LV KV BIL 30
HV/LV CONDUCTOR CU/CU

PCB CONTENT LESS THAN 1 PPM AT TIME OF MANUFACTURE
CAUTION - READ INSTRUCTION MANUAL MN202001EN
EF CARD FOR VFI CONTROL

APPROX. WEIGHT IN LBS.

CORE & COIL UNTANKING 6629

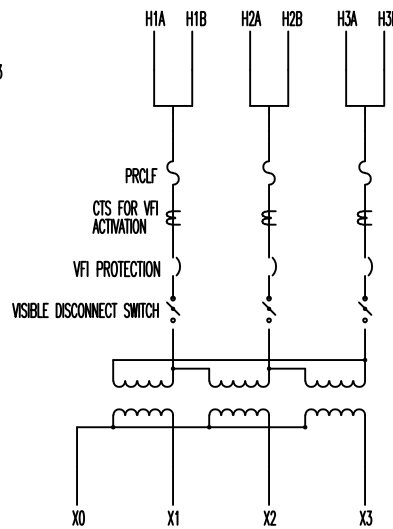
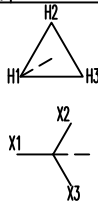
TANK & FIT 3562

FLUID: FR3™ 4923
GALLONS: 641

TOTAL 15114

Table with 3 columns: TAP, VOLTAGE, MAX AMPS. Rows A-E with values for voltage and max amps.

MAX AMPS AT 1500 KVA
%IZ AT BASE KVA AND RATED VOLTAGE
DOE EFFICIENCY COMPLIANT



PRCLF = CBUC15150D100 (2)
VFI MAXIMUM MIN TRIP = 400 AMPS

- NOTES: 1) ACTUAL PLATE IS A NEGATIVE OF THE ABOVE DRAWING.
2) ACTUAL %IZ TO BE STAMPED IN AFTER TESTING.

NAMEPLATE MATERIAL: ALUMINUM

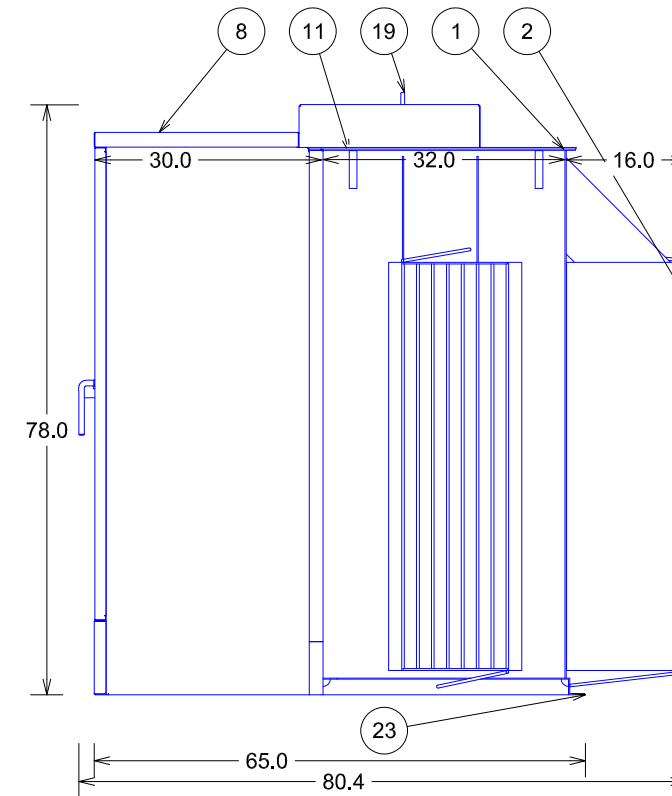
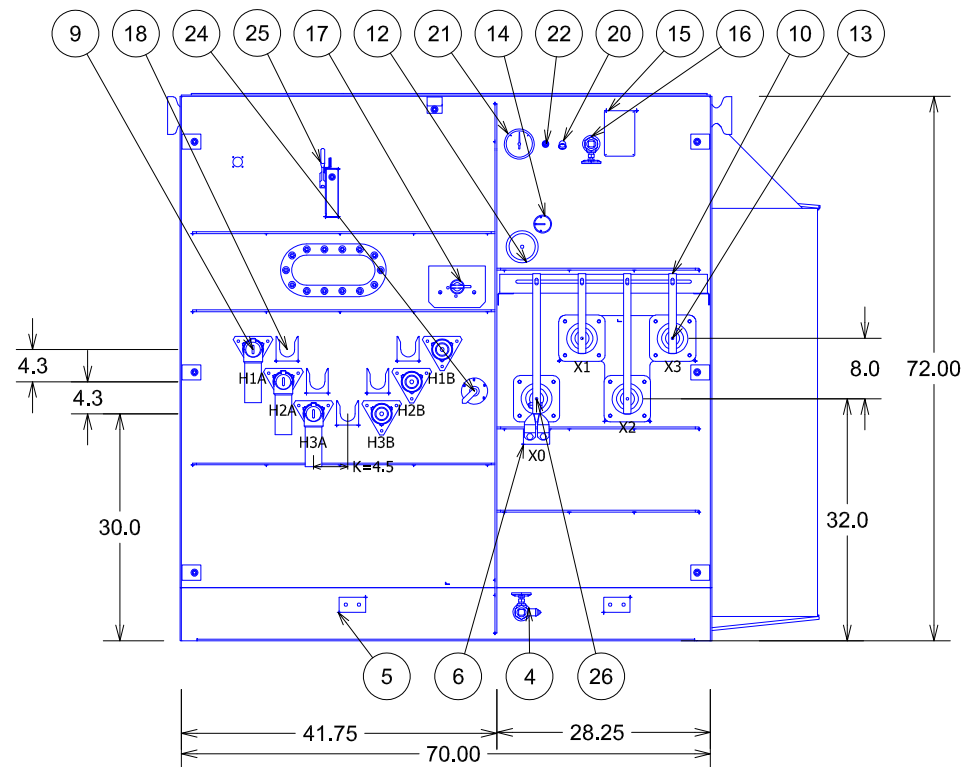
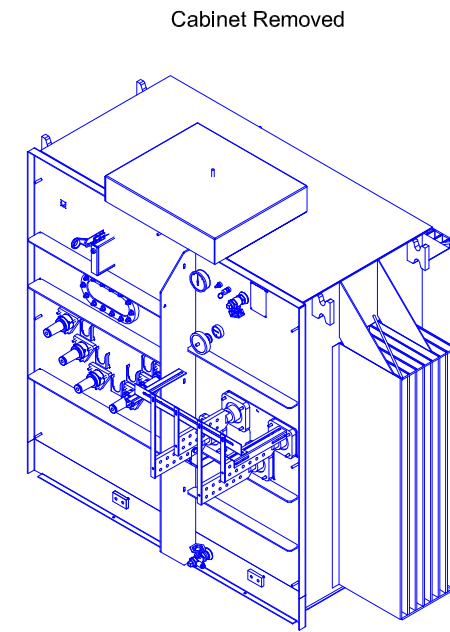
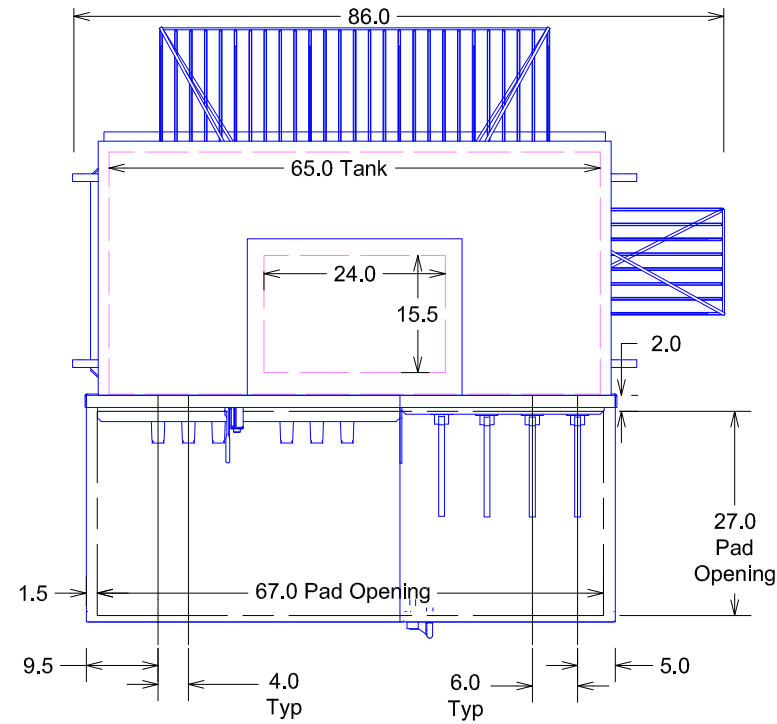
213228016,18

1189610A8508 REVISIONS

Table with columns for MATERIAL, DIMENSIONS, TITLE, DESC, DWG, DATE, REF, SHEET #, SCALE, REV. Includes Eaton logo and part number 1189610A8508.

ITE	DESCRIPTION
1	Welded Cover w/ Handhole
2	Cooling Corrugate
3	Current Limiting Backup Fuses (Internal)
4	Drain Valve with Sampler
5	Ground Pad .50-13 Tap
6	Ground Strap and Pad
7	15.0kV (12.7kV MCOV) Elbow Arrester (boxed)
8	High Security Cabinet w/ Pentahead Door Bolts
9	35kV 200 Amp HV Bushing Well w/ 15kV Insert
10	LV Bushing Support
11	Lifting Lug
12	Liquid Temperature Gauge
13	1.2kV LV Bushing w/12 Hole Spade Supported
14	Magnetic Oil Level Gauge
15	Nameplate
16	One Inch Upper Fill Valve
17	Two Position Loadbreak Switch w/ Visible Disconnect Window
18	Parking Stand
19	Pressure Relief Device
20	Pressure Relief Valve
21	Pressure Vacuum Gauge
22	Schrader Valve
23	Tank Base w/ Jacking and Rolling Facilities
24	5-Position Tap Changer
25	Vacuum Fault Interrupter
26	X0 Bushing


00024A64X8EA
REVISIONS



EXTEND THE PAD 18" BEYOND EACH SIDE OF THE TRANSFORMER.

3PH Padmount Transformer 60Hz
1500.0 kVA KNAN 65 AWR FR3
HV 12470D 95 kV BIL
LV 480Y/277 30 kV BIL
5.73 %IZ
Munsell Green Topcoat
Mild Steel Construction
FM Approved for Outdoor Use

SO 210477260
PO 200626900
Project Name OSU
Customer ECONOMY SUPPLY INC

MATERIAL:		 Powering Business Worldwide			
ALL DIMENSIONS ARE IN INCHES [MM]					
THE INFORMATION ON THIS DOCUMENT WAS CREATED BY EATON. IT WAS DISCLOSED IN CONFIDENCE AND IS ONLY TO BE USED FOR THE PURPOSE IN WHICH IT WAS SUPPLIED.		TITLE: Distribution Transformer Outline Drawing DESC: COOPER POWER SERIES THREE-PHASE PAD-MOUNTED COMPARTMENTAL TYPE			
DWG: PTP	DATE: 1/2/2017	REF: P3D V03R07M05	SHEET #: 1 OF 1	SCALE: 00	REV: 00
THIS DRAWING HAS BEEN GENERATED FROM A 3D MODEL.		00024A64X8EA			



COOPER POWER SERIES

3φ DISTRIBUTION TRANSFORMER ASSEMBLED IN WAUKESHA, WI U.S.A

1500 65°C 60Hz

NAMEPLATE 00024A64X8EA

12470 KNAN

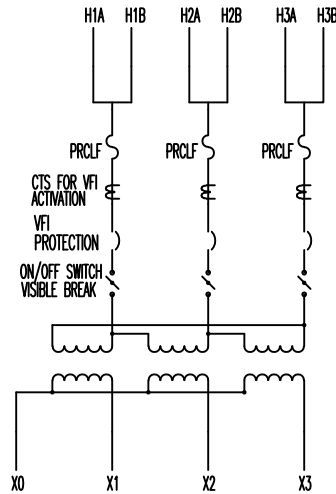
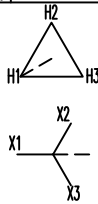
480Y/277 5.73 %IZ @85°C MFG DATE

HV KV BIL 95 HV NEUTRAL KV BIL -- LV KV BIL 30 HV/LV CONDUCTOR CU/CU PCB CONTENT LESS THAN 1 PPM AT TIME OF MANUFACTURE CAUTION - READ INSTRUCTION MANUAL MN202001EN

APPROX. WEIGHT IN LBS.	
CORE & COIL UNTANKING	4434
TANK & FIT	3045
FLUID: FR3™ GALLONS: 437	3356
TOTAL	10835

TAP	VOLTAGE	MAX AMPS
A	13090	66.2
B	12780	67.8
C	12470	69.4
D	12160	71.2
E	11850	73.1

MAX AMPS AT 1500 KVA %IZ AT BASE KVA AND RATED VOLTAGE DOE EFFICIENCY COMPLIANT



PRCLF = CBUC15150D100 (2) VFI MAXIMUM MIN TRIP = 350 AMPS

- NOTES: 1) ACTUAL PLATE IS A NEGATIVE OF THE ABOVE DRAWING.
2) ACTUAL %IZ TO BE STAMPED IN AFTER TESTING.

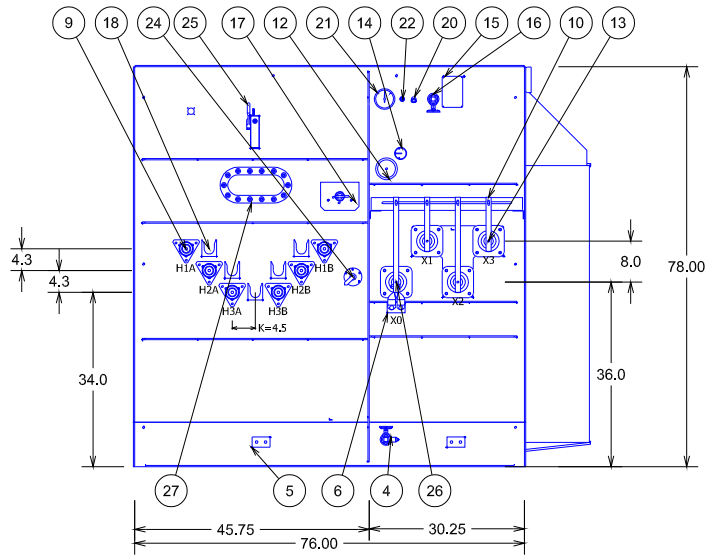
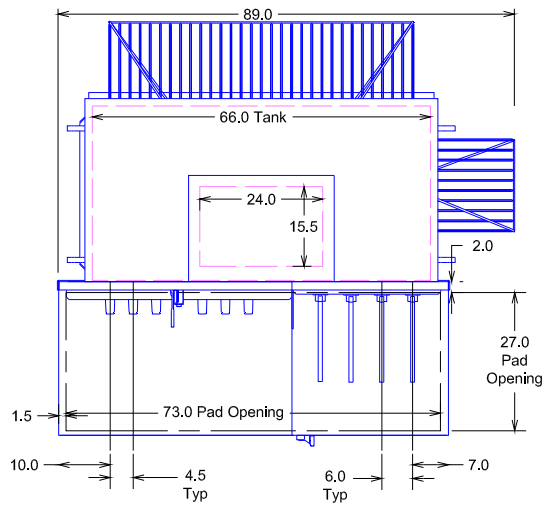
NAMEPLATE MATERIAL: ALUMINUM

21047726,81

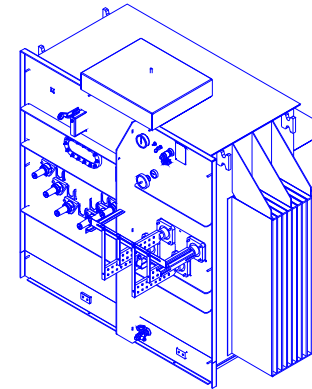
1189610A2877 REVISIONS

MATERIAL:			
ALL DIMENSIONS ARE IN INCHES [MM]		Powering Business Worldwide	
THE INFORMATION ON THIS DOCUMENT WAS CREATED BY EATON. IT WAS DISCLOSED IN CONFIDENCE AND IS ONLY TO BE USED FOR THE PURPOSE IN WHICH IT WAS SUPPLIED.		TITLE: LASER NAMEPLATE DESC: COOPER POWER SERIES 00024A64X8EA	
DWG: PTP	DATE: 1/3/2017	REF:	SHEET #: 1 of 1
			SCALE: 1=1
			REV: 00
1189610A2877			

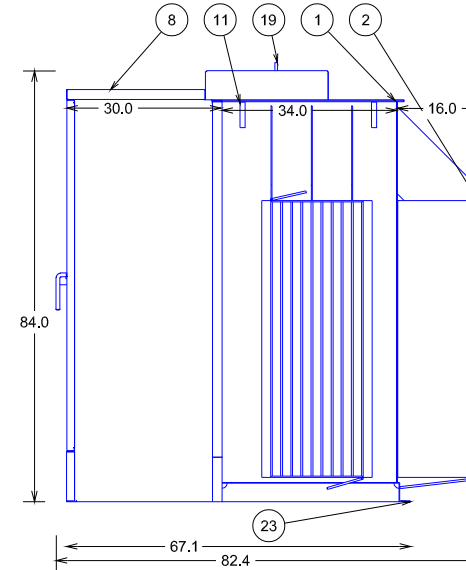
ITE	DESCRIPTION
1	Welded Cover w/ Handhole
2	Cooling Corrugate
3	Current Limiting Backup Fuses (Internal)
4	Drain Valve with Sampler
5	Ground Pad .50-13 Tap
6	Ground Strap and Pad
7	15.0kV (12.7kV MCOV) Elbow Arrester (boxed)
8	High Security Cabinet w/ Pentahead Door Bolts
9	35kV 200 Amp HV Bushing Well w/ 15kV Insert
10	LV Bushing Support
11	Lifting Lug
12	Liquid Temperature Gauge
13	1.2kV LV Bushing w/16 Hole Spade Supported
14	Magnetic Oil Level Gauge
15	Nameplate
16	One Inch Upper Fill Valve
17	Visible Disconnect Switch
18	Parking Stand
19	Pressure Relief Device
20	Pressure Relief Valve
21	Pressure Vacuum Gauge
22	Schrader Valve
23	Tank Base w/ Jacking and Rolling Facilities
24	5-Position Tap Changer
25	Vacuum Fault Interrupter
26	X0 Bushing
27	Visible Disconnect Window



Cabinet Removed



00023A65XXEA
REVISIONS



3PH Padmount Transformer 60Hz
2000.0 kVA KNAN 65 AWR FR3
HV 12470D 95 kV BIL
LV 480Y/277 30 kV BIL
5.73 %IZ
Munsell Green Topcoat
Mild Steel Construction
FM Approved for Outdoor Use

SO 210319115
PO 200626766
Project Name OSU BLANKET
Customer ECONOMY SUPPLY INC

MATERIAL:

ALL DIMENSIONS ARE IN INCHES [MM]



THE INFORMATION ON THIS DOCUMENT WAS CREATED BY EATON. IT WAS DISCLOSED IN CONFIDENCE AND IS ONLY TO BE USED FOR THE PURPOSE IN WHICH IT WAS SUPPLIED.

TITLE: Distribution Transformer Outline Drawing
DESC: **COOPER POWER SERIES** THREE-PHASE PAD-MOUNTED COMPARTMENTAL TYPE

THIS DRAWING HAS BEEN GENERATED FROM A 3D MODEL.

DWG: PTP DATE: 11/30/2016 REF: P3D V03R07M02 SHEET #: 1 OF 1 SCALE: REV: 00

00023A65XXEA



COOPER POWER SERIES

3φ DISTRIBUTION TRANSFORMER ASSEMBLED IN WAUKESHA, WI U.S.A

2000 65°C 60Hz

NAMEPLATE 00023A65XXEA

12470 KNAN

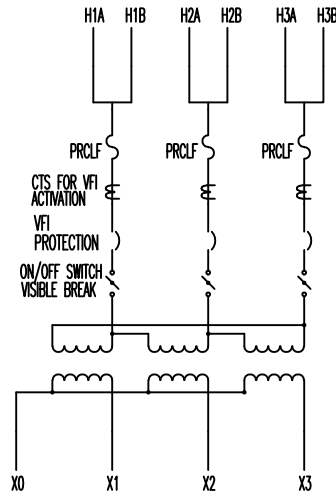
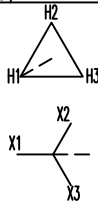
480Y/277 5.73 %IZ @85°C MFG DATE

HV KV BIL 95 HV NEUTRAL KV BIL LV KV BIL 30 HV/LV CONDUCTOR CU/CU PCB CONTENT LESS THAN 1 PPM AT TIME OF MANUFACTURE CAUTION - READ INSTRUCTION MANUAL MN202001EN

APPROX. WEIGHT IN LBS.	
CORE & COIL UNTANKING	5475
TANK & FIT	3736
FLUID: FR3™ GALLONS: 512	3932
TOTAL	13143

TAP	VOLTAGE	MAX AMPS
A	13090	88.2
B	12780	90.4
C	12470	92.6
D	12160	95.0
E	11850	97.4

MAX AMPS AT 2000 KVA %IZ AT BASE KVA AND RATED VOLTAGE DOE EFFICIENCY COMPLIANT



PRCLF = CBUC15150D100 (2) VFI MAXIMUM MIN TRIP = 380 AMPS

- NOTES: 1) ACTUAL PLATE IS A NEGATIVE OF THE ABOVE DRAWING.
2) ACTUAL %IZ TO BE STAMPED IN AFTER TESTING.

NAMEPLATE MATERIAL: ALUMINUM

210319115,91

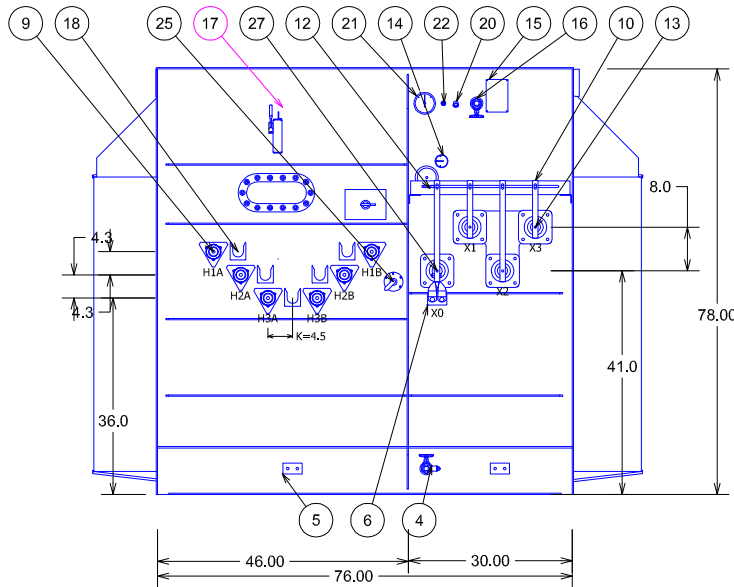
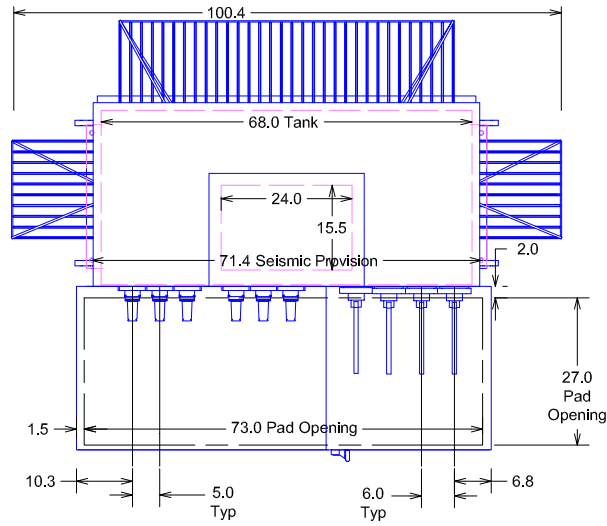
1189610A2611 REVISIONS

MATERIAL:			
ALL DIMENSIONS ARE IN INCHES [MM]		TITLE: LASER NAMEPLATE	
THE INFORMATION ON THIS DOCUMENT WAS CREATED BY EATON. IT WAS DISCLOSED IN CONFIDENCE AND IS ONLY TO BE USED FOR THE PURPOSE IN WHICH IT WAS SUPPLIED.		DESC: COOPER POWER SERIES 00023A65XXEA	
DWG: PTP	DATE: 12/1/2016	REF:	SHEET #: 1 of 1
			SCALE: 1=1
			REV: 00
1189610A2611			

ITE	DESCRIPTION
1	Welded Cover w/ Handhole
2	Cooling Corrugate
3	Current Limiting Backup Fuses (Internal)
4	Drain Valve with Sampler
5	Ground Pad .50-13 Tap
6	Ground Strap and Pad
7	15.0kV Elbow Arrester (boxed)
8	High Security Cabinet w/ Pentahead Door Bolts
9	35kV 200 Amp HV Bushing Well w/ 15kV Insert
10	LV Bushing Support
11	Lifting Lug
12	Liquid Temperature Gauge
13	1.2kV LV Bushing w/12 Hole Spade Supported
14	Magnetic Oil Level Gauge
15	Nameplate
16	One Inch Upper Fill Valve
17	Vacuum Fault Interrupter w/ SCADA
18	Parking Stand
19	Pressure Relief Device
20	Pressure Relief Valve
21	Pressure Vacuum Gauge
22	Schrader Valve
23	Seismic Anchor Provisions
24	Tank Base w/ Jacking and Rolling Facilities
25	Tap Changer
27	XO Bushing

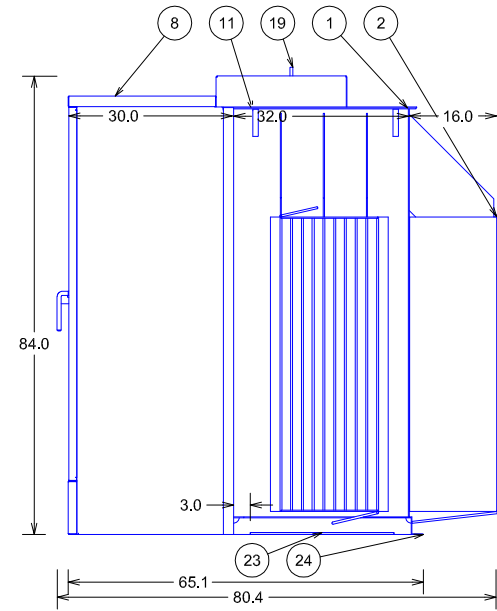
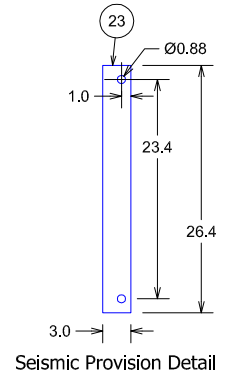
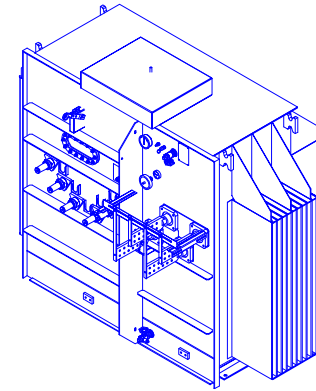
EXTEND THE PAD 18" BEYOND EACH SIDE OF THE TRANSFORMER.


3PH Padmount Transformer 60Hz
 2500.0 KVA KNAN 65 AWR FR3
 HV 12470D 95 kV BIL
 LV 480Y/277 30 kV BIL
 5.76 %IZ
 Munsell Green Topcoat
 Mild Steel Construction
 FM Approved for Outdoor Use



Cabinet Removed

00021A66XKFA
 REVISIONS



MATERIAL:		 EATON <i>Powering Business Worldwide</i>			
ALL DIMENSIONS ARE IN INCHES [MM]					
THE INFORMATION ON THIS DOCUMENT WAS CREATED BY EATON. IT WAS DISCLOSED IN CONFIDENCE AND IS ONLY TO BE USED FOR THE PURPOSE IN WHICH IT WAS SUPPLIED.		TITLE: Distribution Transformer Outline Drawing			
		DESC: COOPER POWER SERIES THREE-PHASE PAD-MOUNTED COMPARTMENTAL TYPE			
DWG: PTP	DATE: 7/4/2016	REF: P3D V03R07M00	SHEET #: 1 OF 1	SCALE:	REV: 00
THIS DRAWING HAS BEEN GENERATED FROM A 3D MODEL.		00021A66XKFA			



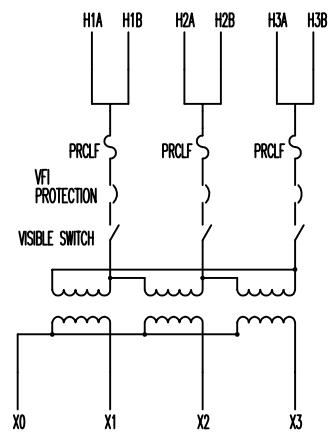
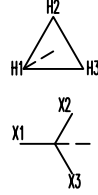
COOPER POWER
SERIES

3 ϕ DISTRIBUTION
TRANSFORMER ASSEMBLED
IN WAUKESHA, WI U.S.A

KVA	2500	TEMP	65°C	60Hz
MFG DATE		C/P	00021A66XKFA	
H	12470	KNAN		
L	480Y/277	5.76 %IZ @85°C	MFG DATE	
HV KV BIL	95	PCB CONTENT LESS THAN 1 PPM AT TIME OF MANUFACTURE		
HV NEUTRAL KV BIL	--	CAUTION - READ INSTRUCTION MANUAL MN202001EN		
LV KV BIL	30	VFI MAXIMUM MIN TRIP = 490 AMPS		
HV/LV CONDUCTOR	CU / CU			

APPROX. WEIGHT IN LBS.

CORE & COIL UNTANKING	6792
TANK & FIT	4146
FLUID: FR3™ GALLONS: 496	3809
TOTAL	14747



MAX AMPS AT 2500 KVA
%IZ AT BASE KVA AND RATED VOLTAGE
DOE EFFICIENCY COMPLIANT

PRCLF = PRCLF CBUC23165D100 (2) IN PARALLEL

- NOTES:**
- 1) ACTUAL PLATE IS A NEGATIVE OF THE ABOVE DRAWING.
 - 2) ACTUAL %IZ TO BE STAMPED IN AFTER TESTING.

NAMEPLATE MATERIAL: ALUMINUM

209555651,20

1189610A0752 REVISIONS

MATERIAL:		 Powering Business Worldwide	
ALL DIMENSIONS ARE IN INCHES [MM]			
THE INFORMATION ON THIS DOCUMENT WAS CREATED BY EATON. IT WAS DISCLOSED IN CONFIDENCE AND IS ONLY TO BE USED FOR THE PURPOSE IN WHICH IT WAS SUPPLIED.			
TITLE: LASER NAMEPLATE		DESC: COOPER POWER SERIES 00021A66XKFA	
DWG: PTP	DATE: 7/4/2016	REF:	SHEET #: 1 of 1 SCALE: 1=1 REV: 00
1189610A0752			