

# APPENDIX F

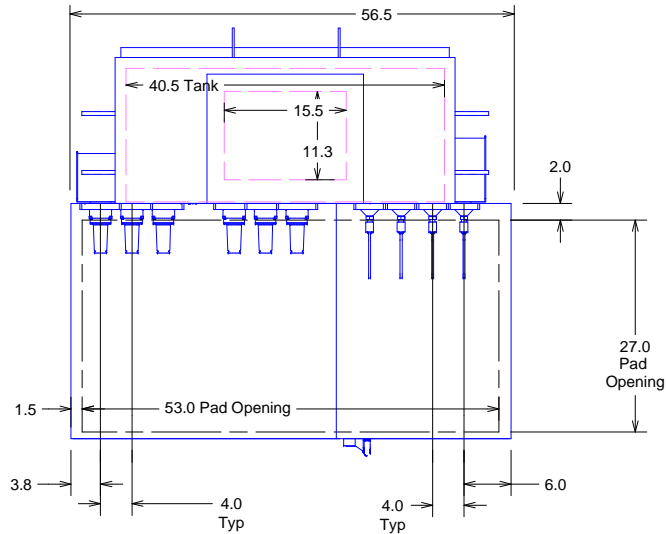
## Medium Voltage Transformer and Switchgear



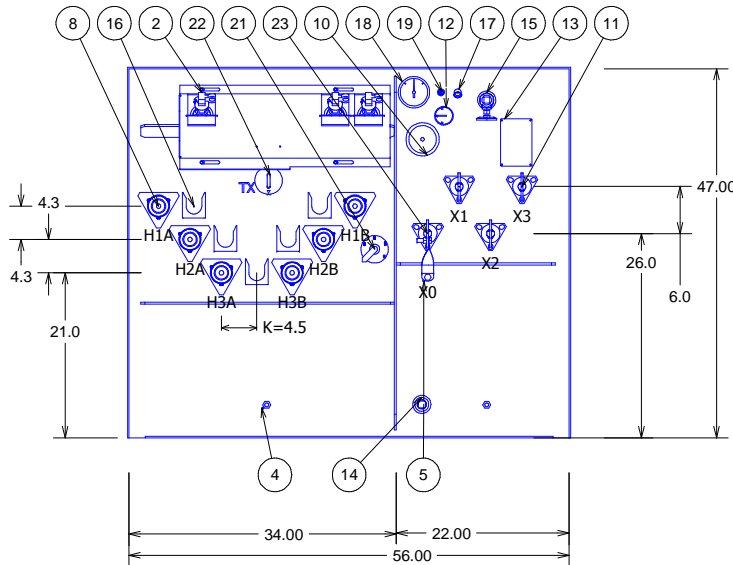
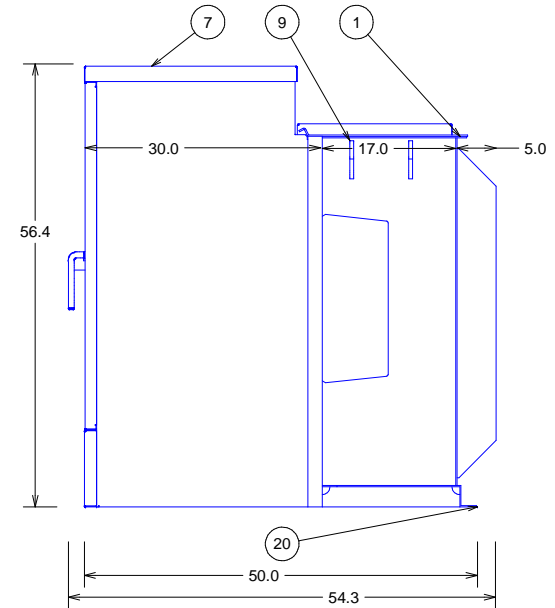
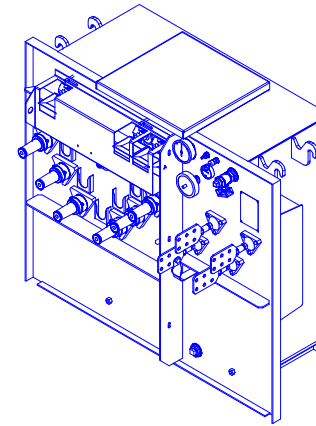
Last Updated 10/12/2018

ITE	DESCRIPTION
1	Bolted Cover w/ Handhole w/ Nutguard
2	Cooper Bayonet Fusing w/ Plastic Dripshield
3	Current Limiting Backup Fuses (Internal)
4	Ground Nut .50-13 Tap
5	Ground Strap and Nut
6	15.0kV Elbow Arrester (boxed)
7	High Security Cabinet w/ Pentahead Door Bolts
8	35kV 200 Amp HV Bushing Well w/ 15kV Insert
9	Lifting Lug
10	Liquid Temperature Gauge
11	1.2kV LV Bushing w/6 Hole Spade
12	Magnetic Oil Level Gauge
13	Nameplate
14	One Inch Drain Plug
15	One Inch Upper Fill Valve
16	Parking Stand
17	Pressure Relief Valve
18	Pressure Vacuum Gauge
19	Schrader Valve
20	Tank Base w/ Jacking and Rolling Facilities
21	Tap Changer
22	Two Position Loadbreak Switch w/ Fuse Interlock
23	X0 Bushing

**FLWNB1X**  
REVISIONS



Cabinet Removed



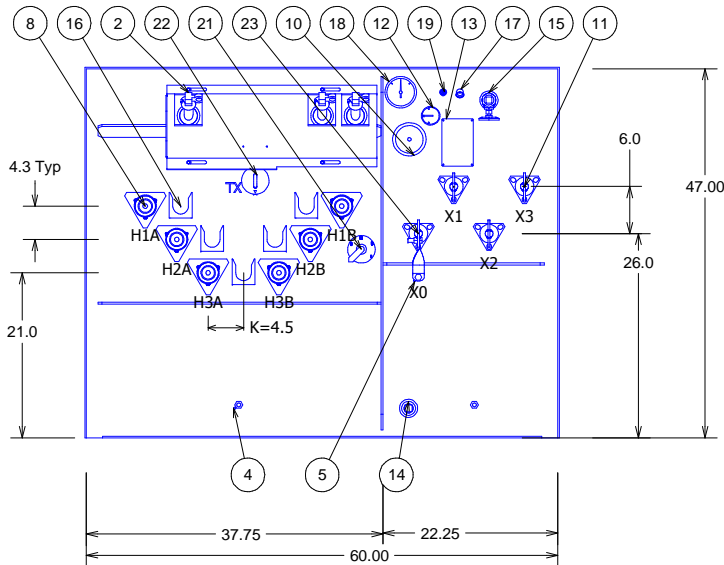
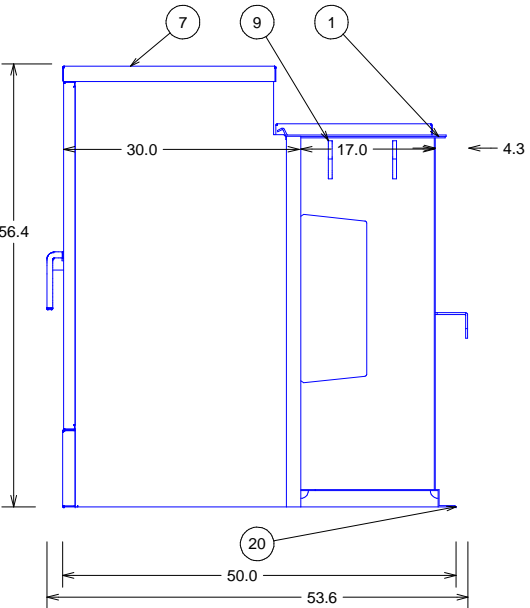
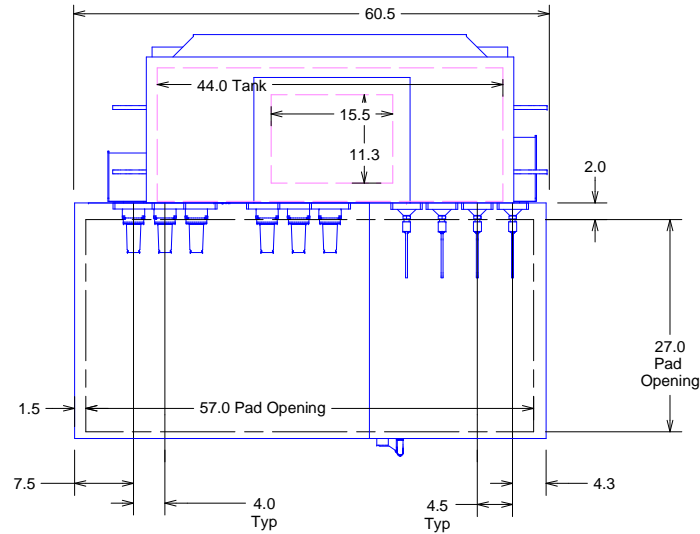
**EXTEND THE PAD 18" BEYOND EACH SIDE OF THE TRANSFORMER.**

3PH Padmount Transformer 60Hz  
112.5 kVA KNAN 65 AWR FR3  
HV 12470D 95 kV BIL  
LV 208Y/120 30 kV BIL  
4.12 %IZ  
**Approximate Weight 2225 lbs.**  
Munsell Green Topcoat  
Mild Steel Construction  
FM Approved for Outdoor Use  
DESIGN #: 1

MATERIAL:		<b>EATON</b> Powering Business Worldwide	
ALL DIMENSIONS ARE IN INCHES [MM]		TITLE: Distribution Transformer Outline Drawing	
THE INFORMATION ON THIS DOCUMENT WAS CREATED BY EATON. IT WAS DISCLOSED IN CONFIDENCE AND IS ONLY TO BE USED FOR THE PURPOSE IN WHICH IT WAS SUPPLIED.		DESC: <b>COOPER POWER SERIES</b> THREE-PHASE PAD-MOUNTED COMPARTMENTAL TYPE	
THIS DRAWING HAS BEEN GENERATED FROM A 3D MODEL.	DWG: PTP	DATE: 9/23/2016	REF: P3D V03R07M00
		SHEET #: 1 OF 1	SCALE: REV: 00
<b>FLWNB1X</b>			


ITE	DESCRIPTION
1	Bolted Cover w/ Handhole w/ Nutguard
2	Cooper Bayonet Fusing w/ Dripsshield
3	Current Limiting Backup Fuses (Internal)
4	Ground Nut .50-13 Tap
5	Ground Strap and Nut
6	18.0kV (15.3kV MCOV) Elbow Arrester (boxed)
7	High Security Cabinet w/ Pentahead Door Bolts
8	35kV 200 Amp HV Bushing Well w/ 15kV Insert
9	Lifting Lug
10	Liquid Temperature Gauge
11	1.2kV LV Bushing w/6 Hole Spade
12	Magnetic Oil Level Gauge
13	Nameplate
14	One Inch Drain Plug
15	One Inch Upper Fill Valve
16	Parking Stand
17	Pressure Relief Valve
18	Pressure Vacuum Gauge
19	Schrader Valve
20	Tank Base w/ Jacking and Rolling Facilities
21	5-Position Tap Changer
22	Two Position Loadbreak Switch w/ Fuse Interlock
23	X0 Bushing

J6259YDU  
REVISIONS



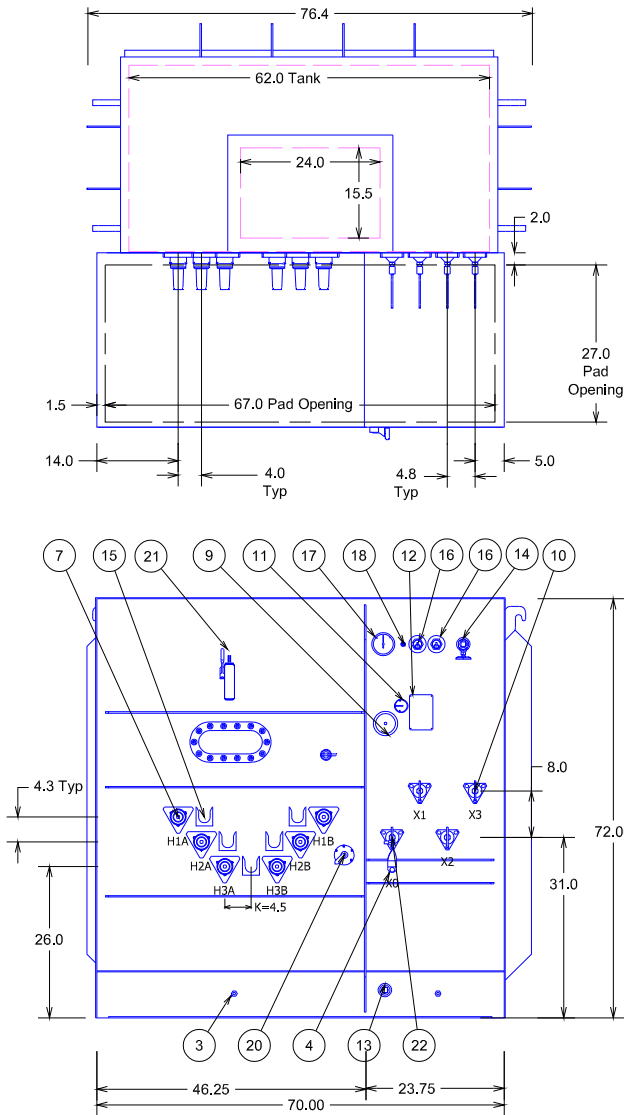
EXTEND THE PAD 18" BEYOND EACH SIDE OF THE TRANSFORMER.

3PH Padmount Transformer 60Hz  
112.5 kVA KNAN 65 AWR FR3  
HV 12470D 95 kV BIL  
LV 480Y/277 30 kV BIL  
3.64 %IZ  
**Approximate Weight: 2579 lbs.**  
Munsell Green Topcoat  
Mild Steel Construction  
FM Approved for Outdoor Use  
DESIGN #: 1

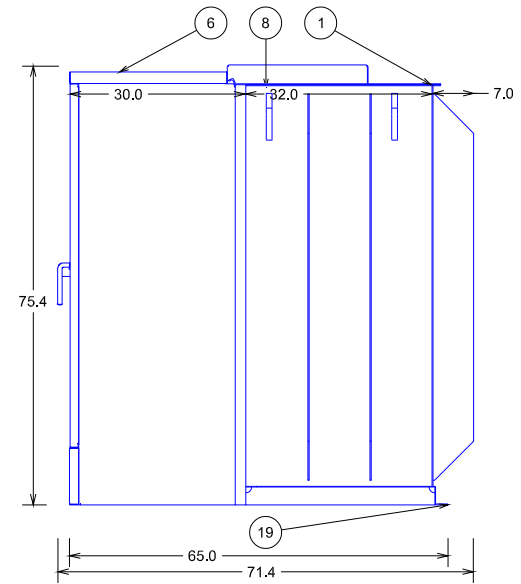
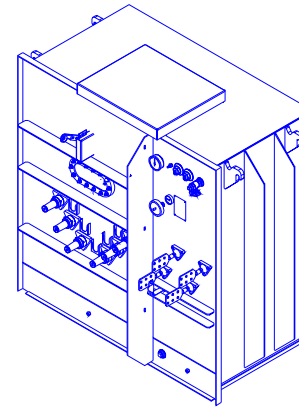
MATERIAL:		 <b>Powering Business Worldwide</b>			
ALL DIMENSIONS ARE IN INCHES [MM]					
THE INFORMATION ON THIS DOCUMENT WAS CREATED BY EATON. IT WAS DISCLOSED IN CONFIDENCE AND IS ONLY TO BE USED FOR THE PURPOSE IN WHICH IT WAS SUPPLIED.		<b>TITLE: Distribution Transformer Outline Drawing</b> <b>DESC: COOPER POWER SERIES THREE-PHASE PAD-MOUNTED COMPARTMENTAL TYPE</b>			
DWG: PTP	DATE: 3/2/2018	REF: P3D V03R09M00	SHEET #: 1 OF 1	SCALE:	REV: 00
THIS DRAWING HAS BEEN GENERATED FROM A 3D MODEL.		<b>J6259YDU</b>			

ITE	DESCRIPTION
1	Bolted Cover w/ Handhole w/ Nutguard
2	Current Limiting Backup Fuses (Internal)
3	Ground Nut .50-13 Tap
4	Ground Strap and Nut
5	18.0kV (15.3kV MCOV) Elbow Arrester (boxed)
6	High Security Cabinet w/ Pentahead Door Bolts
7	35kV 200 Amp HV Bushing Well w/ 15kV Insert
8	Lifting Lug
9	Liquid Temperature Gauge
10	1.2kV LV Bushing w/6 Hole Spade
11	Magnetic Oil Level Gauge
12	Nameplate
13	One Inch Drain Plug
14	One Inch Upper Fill Valve
15	Parking Stand
16	Pressure Relief Valve
17	Pressure Vacuum Gauge
18	Schrader Valve
19	Tank Base w/ Jacking and Rolling Facilities
20	5-Position Tap Changer
21	Vacuum Fault Interrupter with Visible Disconnect Switch
22	X0 Bushing

**EXTEND THE PAD 18" BEYOND EACH SIDE OF THE TRANSFORMER.**



Cabinet Removed



0002BP08XYTA

REVISIONS

3PH Padmount Transformer 60Hz  
150.0 kVA KNAN 65 AWR FR3  
HV 12470D 95 kV BIL  
LV 208Y/120 30 kV BIL  
3.38 %IZ

Munsell Green Topcoat  
Mild Steel Construction  
FM Approved for Outdoor Use

SO 213380261  
PO 03042018LM1  
Customer MYERS & ASSOC ELECTRICAL SALES  
Project OSU DRAWINGS

MATERIAL:

ALL DIMENSIONS ARE IN INCHES [MM]

THE INFORMATION ON THIS DOCUMENT WAS CREATED BY EATON. IT WAS DISCLOSED IN CONFIDENCE AND IS ONLY TO BE USED FOR THE PURPOSE IN WHICH IT WAS SUPPLIED.

THIS DRAWING HAS BEEN GENERATED FROM A 3D MODEL.



TITLE: Distribution Transformer Outline Drawing

DESC: **COOPER POWER SERIES** THREE-PHASE  
PAD-MOUNTED COMPARTMENTAL TYPE

DWG: PTP	DATE: 4/10/2018	REF: P3D V03R09M00	SHEET #: 1 OF 1	SCALE: 00	REV: 00
----------	-----------------	--------------------	-----------------	-----------	---------

**0002BP08XYTA**





COOPER POWER SERIES

3φ DISTRIBUTION TRANSFORMER ASSEMBLED IN WAUKESHA, WI U.S.A

KV 150 65°C 60Hz

NAMEPLATE 0002BP08XYTA

12470 KNAN

208Y/120 3.38 %IZ @85°C MFG DATE

HV KV BIL 95 HV NEUTRAL KV BIL -- LV KV BIL 30 HV/LV CONDUCTOR CU/CU

PCB CONTENT LESS THAN 1 PPM AT TIME OF MANUFACTURE CAUTION - READ INSTRUCTION MANUAL MN202001EN EF CARD FOR VFI CONTROL

APPROX. WEIGHT IN LBS.

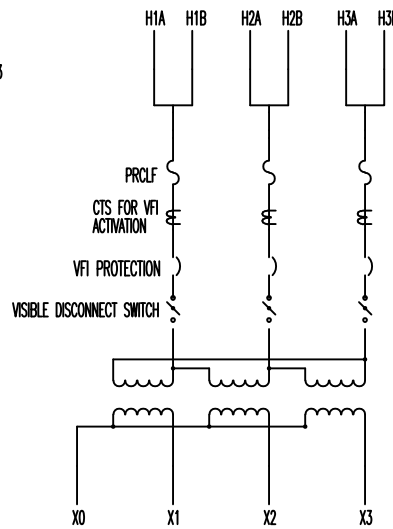
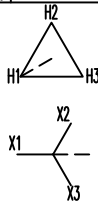
CORE & COIL UNTANKING 1053

TANK & FIT 2020

FLUID: FR3™ 3187 GALLONS: 415

TOTAL 6260

TAP	VOLTAGE	MAX AMPS
A	13090	6.6
B	12780	6.8
C	12470	6.9
D	12160	7.1
E	11850	7.3



MAX AMPS AT 150 KVA %IZ AT BASE KVA AND RATED VOLTAGE DOE EFFICIENCY COMPLIANT

PRCLF = CBUC15050C100 VFI MAXIMUM MIN TRIP = 30 AMPS

- NOTES: 1) ACTUAL PLATE IS A NEGATIVE OF THE ABOVE DRAWING.  
2) ACTUAL %IZ TO BE STAMPED IN AFTER TESTING.

NAMEPLATE MATERIAL: ALUMINUM

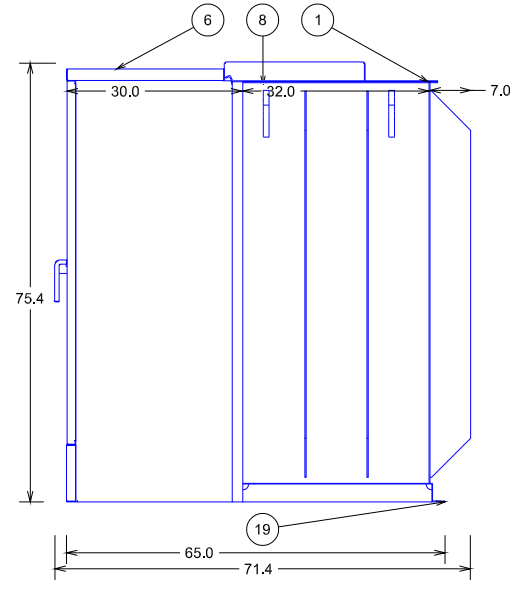
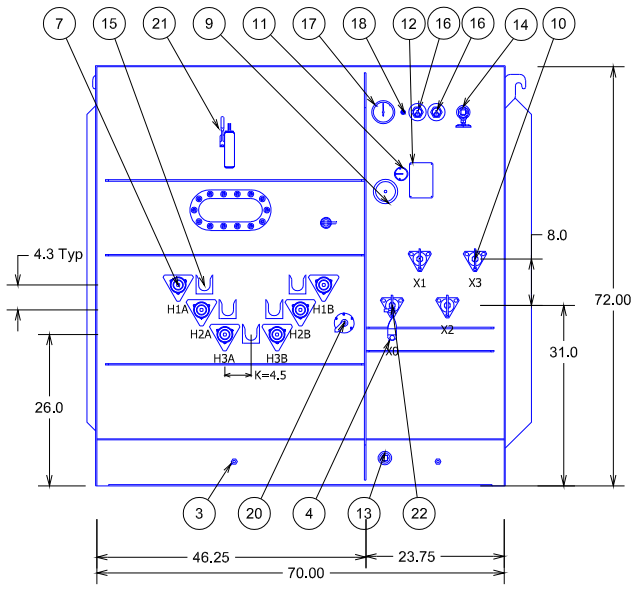
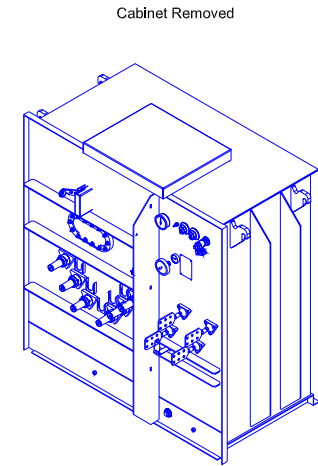
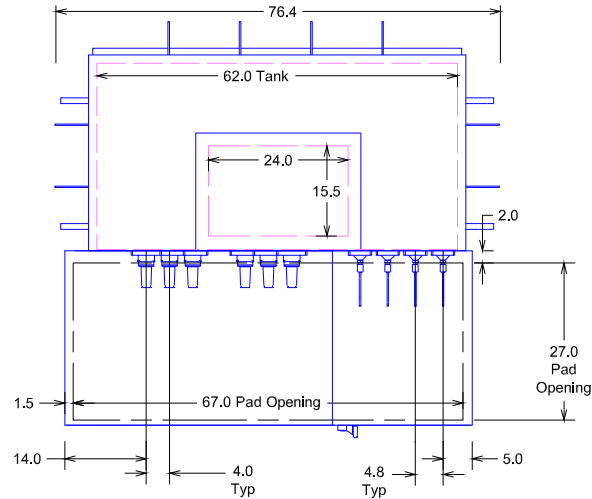
213228016,12

1189610A8498 REVISIONS

MATERIAL:			
ALL DIMENSIONS ARE IN INCHES [MM]		TITLE: LASER NAMEPLATE	
THE INFORMATION ON THIS DOCUMENT WAS CREATED BY EATON. IT WAS DISCLOSED IN CONFIDENCE AND IS ONLY TO BE USED FOR THE PURPOSE IN WHICH IT WAS SUPPLIED.		DESC: COOPER POWER SERIES 0002BP08XYTA	
DWG: PTP	DATE: 4/11/2018	REF:	SHEET #: 1 of 1
			SCALE: 1=1
			REV: 00
<b>1189610A8498</b>			

ITE	DESCRIPTION
1	Bolted Cover w/ Handhole w/ Nutguard
2	Current Limiting Backup Fuses (Internal)
3	Ground Nut .50-13 Tap
4	Ground Strap and Nut
5	18.0kV (15.3kV MCOV) Elbow Arrester (boxed)
6	High Security Cabinet w/ Pentahead Door Bolts
7	35kV 200 Amp HV Bushing Well w/ 15kV Insert
8	Lifting Lug
9	Liquid Temperature Gauge
10	1.2kV LV Bushing w/6 Hole Spade
11	Magnetic Oil Level Gauge
12	Nameplate
13	One Inch Drain Plug
14	One Inch Upper Fill Valve
15	Parking Stand
16	Pressure Relief Valve
17	Pressure Vacuum Gauge
18	Schrader Valve
19	Tank Base w/ Jacking and Rolling Facilities
20	5-Position Tap Changer
21	Vacuum Fault Interrupter with Visible Disconnect Switch
22	X0 Bushing


0002BP08XYMA  
REVISIONS



**EXTEND THE PAD 18" BEYOND EACH SIDE OF THE TRANSFORMER.**

3PH Padmount Transformer 60Hz  
150.0 kVA KNAN 65 AWR FR3  
HV 12470D 95 kV BIL  
LV 480Y/277 30 kV BIL  
3.71 %IZ  
  
Munsell Green Topcoat  
Mild Steel Construction  
FM Approved for Outdoor Use

SO 213380261  
PO 03042018LM1  
Customer MYERS & ASSOC ELECTRICAL SALES  
Project OSU DRAWINGS

MATERIAL:		 <b>Powering Business Worldwide</b>	
ALL DIMENSIONS ARE IN INCHES [MM]			
THE INFORMATION ON THIS DOCUMENT WAS CREATED BY EATON. IT WAS DISCLOSED IN CONFIDENCE AND IS ONLY TO BE USED FOR THE PURPOSE IN WHICH IT WAS SUPPLIED.		TITLE: Distribution Transformer Outline Drawing	
		DESC: <b>COOPER POWER SERIES</b> THREE-PHASE PAD-MOUNTED COMPARTMENTAL TYPE	
DWG: PTP	DATE: 4/10/2018	REF: P3D V03R09M00	SHEET #: 1 OF 1
THIS DRAWING HAS BEEN GENERATED FROM A 3D MODEL.		SCALE: 00	REV: 00
<b>0002BP08XYMA</b>			



COOPER POWER SERIES

3φ DISTRIBUTION TRANSFORMER ASSEMBLED IN WAUKESHA, WI U.S.A

KV 150 65°C 60Hz

NAMEPLATE 0002BP08XYMA

12470 KNAN

480Y/277 3.71 %IZ @85°C MFG DATE

HV KV BIL 95
HV NEUTRAL KV BIL --
LV KV BIL 30
HV/LV CONDUCTOR CU/CU

PCB CONTENT LESS THAN 1 PPM AT TIME OF MANUFACTURE
CAUTION - READ INSTRUCTION MANUAL MN202001EN
EF CARD FOR VFI CONTROL

APPROX. WEIGHT IN LBS.

Table with 2 columns: Component, Weight (LBS). Rows: CORE & COIL UNTANKING (1082), TANK & FIT (2019), FLUID: FR3™ GALLONS: 414 (3180), TOTAL (6281)

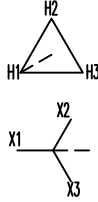
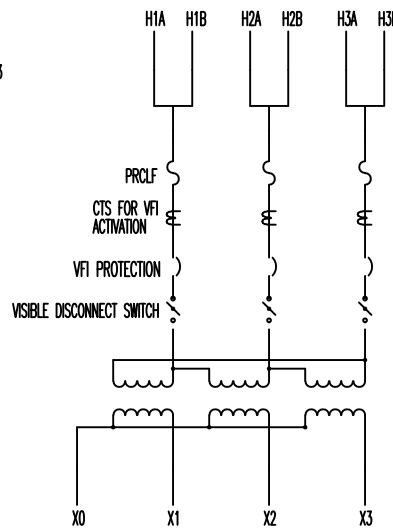


Table with 3 columns: TAP, VOLTAGE, MAX AMPS. Rows: A (13090, 6.6), B (12780, 6.8), C (12470, 6.9), D (12160, 7.1), E (11850, 7.3)



MAX AMPS AT 150 KVA
%IZ AT BASE KVA AND RATED VOLTAGE
DOE EFFICIENCY COMPLIANT

PRCLF = CBUC15050C100
VFI MAXIMUM MIN TRIP = 30 AMPS

- NOTES: 1) ACTUAL PLATE IS A NEGATIVE OF THE ABOVE DRAWING. 2) ACTUAL %IZ TO BE STAMPED IN AFTER TESTING.

NAMEPLATE MATERIAL: ALUMINUM

213228016,21

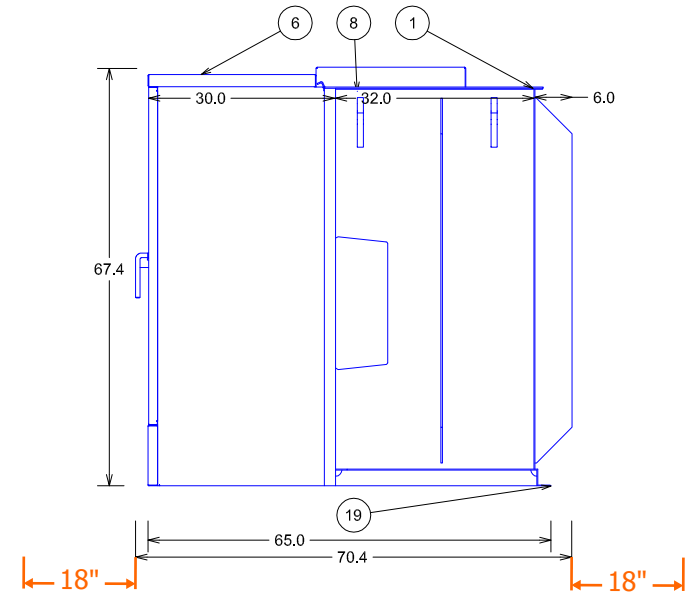
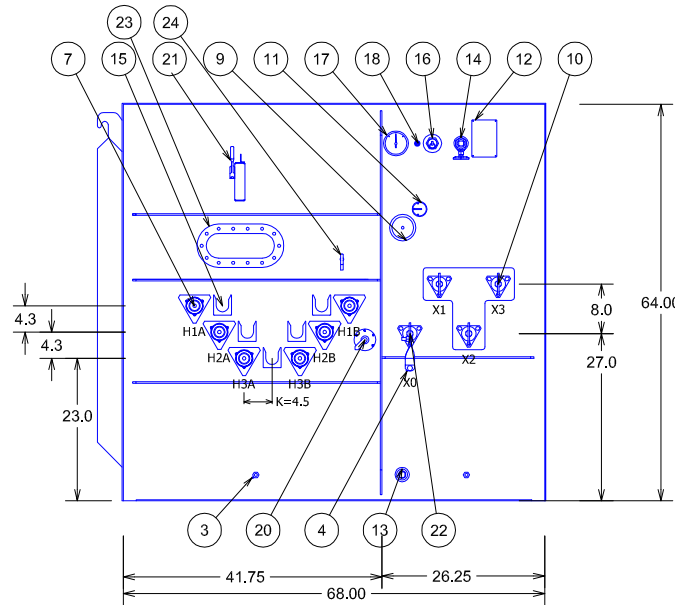
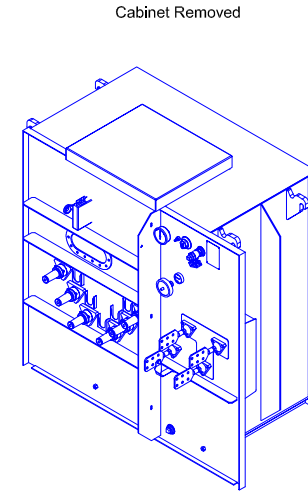
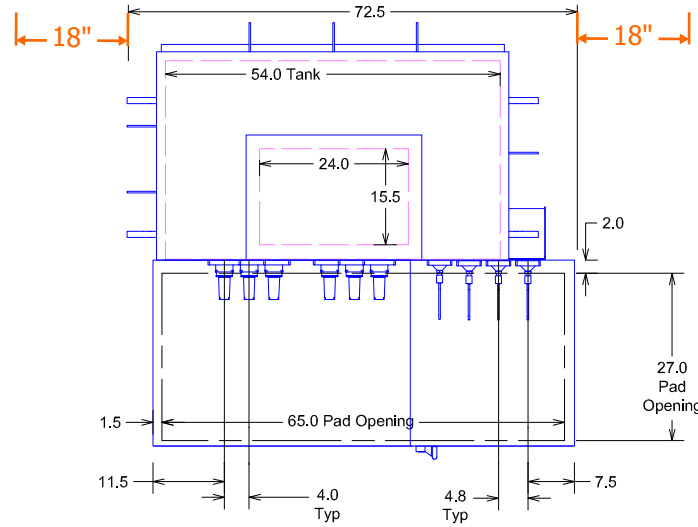
1189610A8499 REVISIONS

Table with 2 main columns: MATERIAL and EATON logo. Includes title 'LASER NAMEPLATE', description 'COOPER POWER SERIES 0002BP08XYMA', and revision control table.

1189610A8499

ITE	DESCRIPTION
1	Bolted Cover w/ Handhole w/ Nutguard
2	Current Limiting Backup Fuses (Internal)
3	Ground Nut .50-13 Tap
4	Ground Strap and Nut
5	15.0kV (12.7kV MCOV) Elbow Arrester (boxed)
6	High Security Cabinet w/ Pentahead Door Bolts
7	35kV 200 Amp HV Bushing Well w/ 15kV Insert
8	Lifting Lug
9	Liquid Temperature Gauge
10	1.2kV LV Bushing w/6 Hole Spade
11	Magnetic Oil Level Gauge
12	Nameplate
13	One Inch Drain Plug
14	One Inch Upper Fill Valve
15	Parking Stand
16	Pressure Relief Valve
17	Pressure Vacuum Gauge
18	Schrader Valve
19	Tank Base w/ Jacking and Rolling Facilities
20	5-Position Tap Changer
21	Vacuum Fault Interrupter
22	X0 Bushing
23	Visible Disconnect Window
24	Two-Position Visible Disconnect Switch

00026P09X8XA  
REVISIONS



EXTEND THE PAD 18" BEYOND EACH SIDE OF THE TRANSFORMER.  
 $70.4" + 36" = 106.4"$   
 $72.5" + 36" = 108.5"$

3PH Padmount Transformer 60Hz  
 225.0 KVA KNAN 65 AWR FR3  
 HV 12470D 95 kV BIL  
 LV 208Y/120 30 kV BIL  
 3.48 %IZ  
 Munsell Green Topcoat  
 Mild Steel Construction  
 FM Approved for Outdoor Use

S.O. Number: 211292088  
 P.O. Number: 200627786  
 Customer Name: ECONOMY SUPPLY INC  
 Project Name: OSU

MATERIAL:	<b>EATON</b> Powering Business Worldwide			
ALL DIMENSIONS ARE IN INCHES [MM]	TITLE: Distribution Transformer Outline Drawing			
THE INFORMATION ON THIS DOCUMENT WAS CREATED BY EATON. IT WAS DISCLOSED IN CONFIDENCE AND IS ONLY TO BE USED FOR THE PURPOSE IN WHICH IT WAS SUPPLIED.	DESC: COOPER POWER SERIES THREE-PHASE PAD-MOUNTED COMPARTMENTAL TYPE			
DWG: PTP	DATE: 5/28/2017	REF: P3D V03R08M03	SHEET #: 1 OF 1	SCALE: 00
THIS DRAWING HAS BEEN GENERATED FROM A 3D MODEL.				
<b>00026P09X8XA</b>				



COOPER POWER SERIES

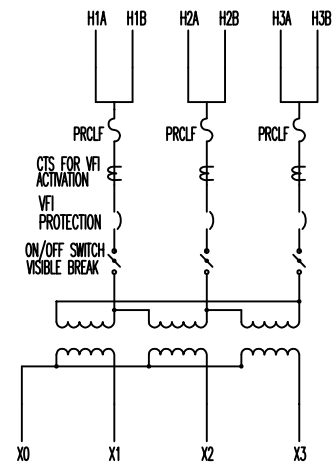
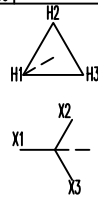
3φ DISTRIBUTION TRANSFORMER ASSEMBLED IN WAUKESHA, WI U.S.A

KVA	225	65°C	60Hz
MCPSE	00026P09X8XA		
H	12470	KNAN	
L	208Y/120	3.48 %IZ @85°C	MFG DATE
HV KV BIL	95	PCB CONTENT LESS THAN 1 PPM AT TIME OF MANUFACTURE	
HV NEUTRAL KV BIL	--	CAUTION - READ INSTRUCTION MANUAL MN202001EN	
LV KV BIL	30	EF CARD	
HV/LV CONDUCTOR	CU / CU		

APPROX. WEIGHT IN LBS.	
CORE & COIL UNTANKING	1324
TANK & FIT	1701
FLUID: FR3™	2412
GALLONS: 314	
<b>TOTAL</b>	<b>5437</b>

TAP	VOLTAGE	MAX AMPS
A	13090	9.9
B	12780	10.2
C	12470	10.4
D	12160	10.7
E	11850	11.0

MAX AMPS AT 225 KVA  
 %IZ AT BASE KVA AND RATED VOLTAGE  
 DOE EFFICIENCY COMPLIANT



PRCLF = CBUC15080C100  
 VFI MAXIMUM MIN TRIP = 50A

- NOTES:**
- 1) ACTUAL PLATE IS A NEGATIVE OF THE ABOVE DRAWING.
  - 2) ACTUAL %IZ TO BE STAMPED IN AFTER TESTING.

NAMEPLATE MATERIAL: ALUMINUM

211292088,13

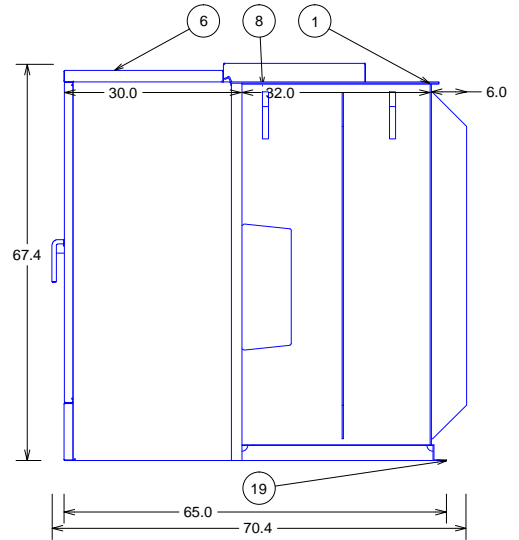
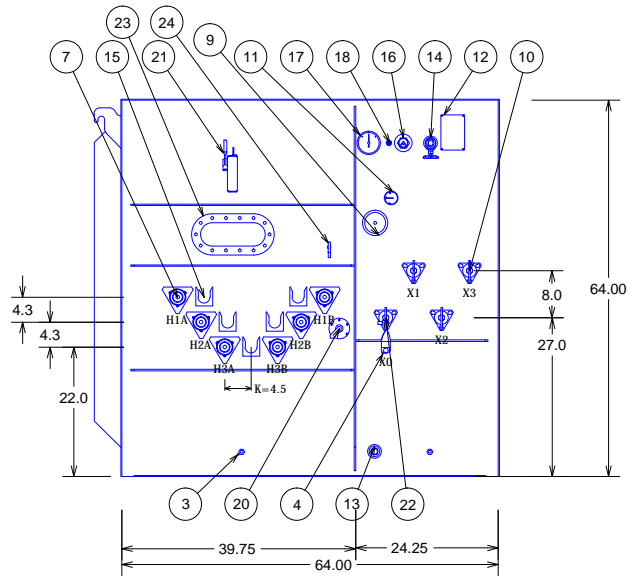
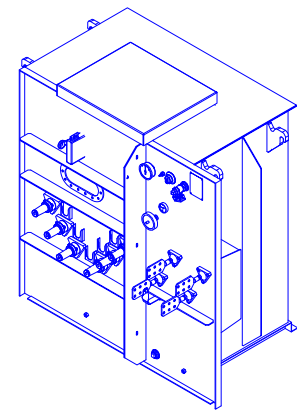
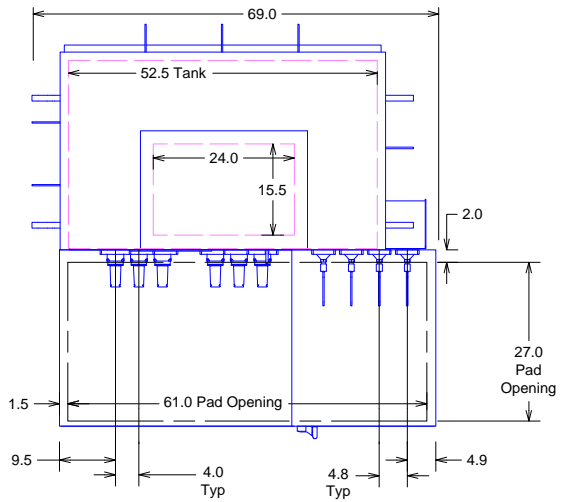
1189610A4564 REVISIONS

MATERIAL:			
ALL DIMENSIONS ARE IN INCHES [MM]		TITLE: LASER NAMEPLATE	
THE INFORMATION ON THIS DOCUMENT WAS CREATED BY EATON. IT WAS DISCLOSED IN CONFIDENCE AND IS ONLY TO BE USED FOR THE PURPOSE IN WHICH IT WAS SUPPLIED.		DESC: COOPER POWER SERIES 00026P09X8XA	
DWG: PTP	DATE: 5/29/2017	REF:	SHEET #: 1 of 1
			SCALE: 1=1
			REV: 00
<b>1189610A4564</b>			

ITE	DESCRIPTION
1	Bolted Cover w/ Handhole w/ Nutguard
2	Current Limiting Backup Fuses (Internal)
3	Ground Nut .50-13 Tap
4	Ground Strap and Nut
5	15.0kV (12.7kV MCOV) Elbow Arrester (boxed)
6	High Security Cabinet w/ Pentahead Door Bolts
7	35kV 200 Amp HV Bushing Well w/ 15kV Insert
8	Lifting Lug
9	Liquid Temperature Gauge
10	1.2kV LV Bushing w/6 Hole Spade
11	Magnetic Oil Level Gauge
12	Nameplate
13	One Inch Drain Plug
14	One Inch Upper Fill Valve
15	Parking Stand
16	Pressure Relief Valve
17	Pressure Vacuum Gauge
18	Schrader Valve
19	Tank Base w/ Jacking and Rolling Facilities
20	5-Position Tap Changer
21	Vacuum Fault Interrupter
22	X0 Bushing
23	Visible Disconnect Window
24	Two-Position Visible Disconnect Switch

Cabinet Removed

00026P09X2CA  
REVISIONS



**EXTEND THE PAD 18" BEYOND EACH SIDE OF THE TRANSFORMER.**

3PH Padmount Transformer 60Hz  
225.0 kVA KNAN 65 AWR FR3  
HV 12470D 95 kV BIL  
LV 480Y/277 30 kV BIL  
Munsell Green Topcoat  
Mild Steel Construction  
FM Approved for Outdoor Use

SO: 211165881  
PO: 200627621  
Economy Supply Inc.  
OSU

MATERIAL:		<b>EATON</b> Powering Business Worldwide	
ALL DIMENSIONS ARE IN INCHES (MM)		TITLE: Distribution Transformer Outline Drawing	
THE INFORMATION ON THIS DOCUMENT WAS CREATED BY EATON. IT WAS DISCLOSED IN CONFIDENCE AND IS ONLY TO BE USED FOR THE PURPOSE IN WHICH IT WAS SUPPLIED.		DESC: COOPER POWER SERIES THREE-PHASE PAD-MOUNTED COMPARTMENTAL TYPE	
DWG: PTP	DATE: 4/25/2017	REF: P3D V03R08M03	SHEET #: 1 OF 1
THIS DRAWING HAS BEEN GENERATED FROM A 3D MODEL.		SCALE:	REV: 00
<b>00026P09X2CA</b>			

**EATON** COOPER POWER SERIES 3  $\phi$  DISTRIBUTION TRANSFORMER ASSEMBLED IN WAUKESHA, WI U.S.A

KV 225	65°C   60Hz
MFG DATE: 00026P09X2CA	
V 12470	KNAN
V 480Y/277	3.34 %IZ @85°C MFG DATE
HV KV BIL 95 HV NEUTRAL KV BIL --- LV KV BIL 30 HV/LV CONDUCTOR CU/ CU	PCB CONTENT LESS THAN 1 PPM AT TIME OF MANUFACTURE CAUTION - READ INSTRUCTION MANUAL MN202001EN EF CARD

APPROX. WEIGHT IN LBS.	
CORE & COIL UNTANKING	1231
TANK & FIT	1654
FLUID: FR3™ GALLONS: 308	2365
<b>TOTAL</b>	<b>5250</b>

TAP	VOLTAGE	MAX AMPS
A	13090	9.9
B	12780	10.2
C	12470	10.4
D	12160	10.7
E	11850	11.0

MAX AMPS AT 225 KVA  
 %IZ AT BASE KVA AND RATED VOLTAGE  
 DOE EFFICIENCY COMPLIANT

PRCLF = CBUC15080C100  
 VFI MAXIMUM MIN TRIP = 50 AMPS

1189610A4175-00

- NOTES:**
- 1) ACTUAL PLATE IS A NEGATIVE OF THE ABOVE DRAWING.
  - 2) ACTUAL %IZ TO BE STAMPED IN AFTER TESTING.

NAMEPLATE MATERIAL: ALUMINUM

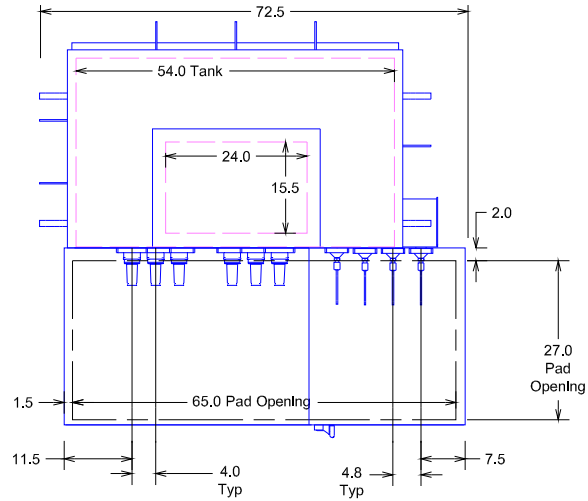
211165881,30

1189610A4175 REVISIONS

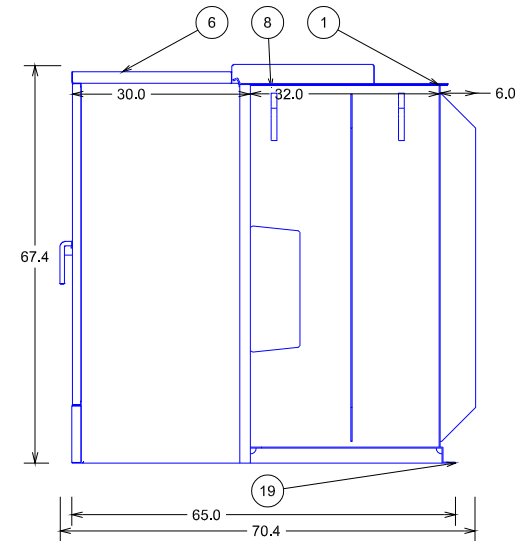
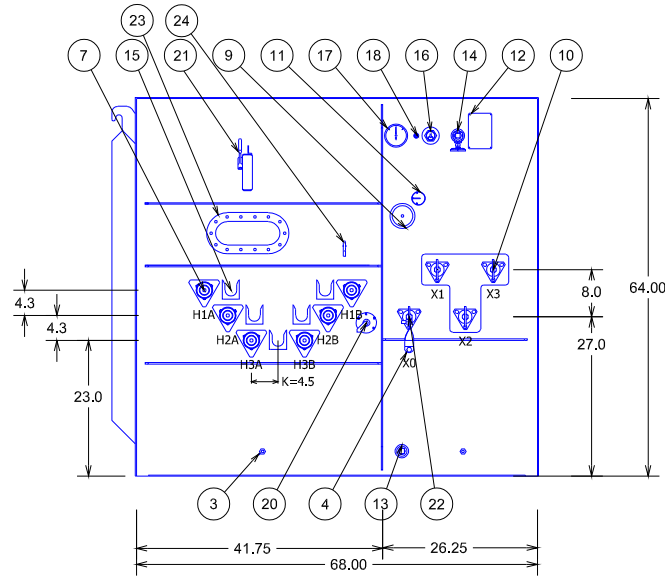
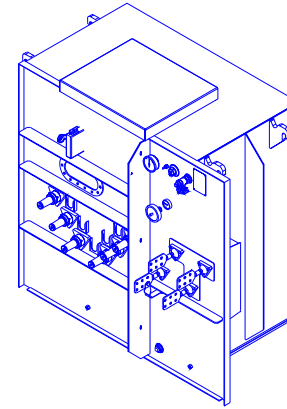
MATERIAL:	<b>EATON</b> <small>Powering Business. WorldWide.</small>			
ALL DIMENSIONS ARE IN INCHES [MM]	TITLE: LASER NAMEPLATE			
THE INFORMATION ON THIS DOCUMENT WAS CREATED BY EATON. IT WAS DISCLOSED IN CONFIDENCE AND IS ONLY TO BE USED FOR THE PURPOSE IN WHICH IT WAS SUPPLIED.	DESC: COOPER POWER SERIES 00026P09X2CA			
DWG: PTP	DATE: 4/26/2017	REF:	SHEET #: 1 of 1	SCALE: 1=1
			REV: 00	
1189610A4175				

ITE	DESCRIPTION
1	Bolted Cover w/ Handhole w/ Nutguard
2	Current Limiting Backup Fuses (Internal)
3	Ground Nut .50-13 Tap
4	Ground Strap and Nut
5	15.0kV (12.7kV MCOV) Elbow Arrester (boxed)
6	High Security Cabinet w/ Pentahead Door Bolts
7	35kV 200 Amp HV Bushing Well w/ 15kV Insert
8	Lifting Lug
9	Liquid Temperature Gauge
10	1.2kV LV Bushing w/6 Hole Spade
11	Magnetic Oil Level Gauge
12	Nameplate
13	One Inch Drain Plug
14	One Inch Upper Fill Valve
15	Parking Stand
16	Pressure Relief Valve
17	Pressure Vacuum Gauge
18	Schrader Valve
19	Tank Base w/ Jacking and Rolling Facilities
20	5-Position Tap Changer
21	Vacuum Fault Interrupter
22	X0 Bushing
23	Visible Disconnect Window
24	Two-Position Visible Disconnect Switch

00026P10X8YA  
REVISIONS




Cabinet Removed



**EXTEND THE PAD 18" BEYOND EACH SIDE OF THE TRANSFORMER.**

3PH Padmount Transformer 60Hz  
300.0 kVA KNAN 65 AWR FR3  
HV 12470D 95 kV BIL  
LV 208Y/120 30 kV BIL  
3.58 %IZ  
Munsell Green Topcoat  
Mild Steel Construction  
FM Approved for Outdoor Use

S.O. Number: 211292088  
P.O. Number: 200627786  
Customer Name: ECONOMY SUPPLY INC  
Project Name: OSU

MATERIAL:		 <b>Powering Business Worldwide</b>			
ALL DIMENSIONS ARE IN INCHES [MM]					
THE INFORMATION ON THIS DOCUMENT WAS CREATED BY EATON. IT WAS DISCLOSED IN CONFIDENCE AND IS ONLY TO BE USED FOR THE PURPOSE IN WHICH IT WAS SUPPLIED.		TITLE: Distribution Transformer Outline Drawing			
		DESC: <b>COOPER POWER SERIES</b> THREE-PHASE PAD-MOUNTED COMPARTMENTAL TYPE			
DWG: PTP	DATE: 5/28/2017	REF: P3D V03R08M03	SHEET #: 1 OF 1	SCALE: 00	REV: 00
THIS DRAWING HAS BEEN GENERATED FROM A 3D MODEL.		<b>00026P10X8YA</b>			





COOPER POWER SERIES

3 φ DISTRIBUTION TRANSFORMER ASSEMBLED IN WAUKESHA, WI U.S.A

V 300 65°C 60Hz

NAMEPLATE 00026P10X8YA

12470 KNAN

208Y/120 3.58 %IZ @85°C MFG DATE

HV KV BIL 95
HV NEUTRAL KV BIL --
LV KV BIL 30
HV/LV CONDUCTOR CU/CU

PCB CONTENT LESS THAN 1 PPM AT TIME OF MANUFACTURE
CAUTION - READ INSTRUCTION MANUAL MN202001EN
EF CARD

APPROX. WEIGHT IN LBS.

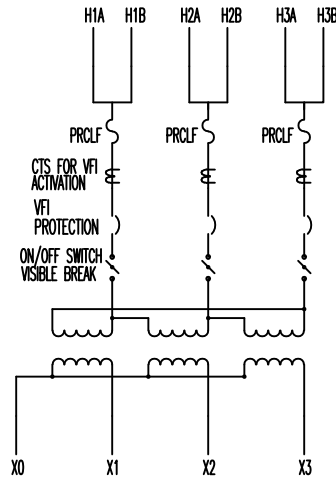
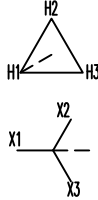
CORE & COIL UNTANKING 1618

TANK & FIT 1701

FLUID: FR3™ 2388
GALLONS: 311

TOTAL 5707

Table with 3 columns: TAP, VOLTAGE, MAX AMPS. Rows A-E with values for voltage and max amps.



MAX AMPS AT 300 KVA
%IZ AT BASE KVA AND RATED VOLTAGE
DOE EFFICIENCY COMPLIANT

PRCLF = CBUC15080C100
VFI MAXIMUM MIN TRIP = 60A

- NOTES: 1) ACTUAL PLATE IS A NEGATIVE OF THE ABOVE DRAWING. 2) ACTUAL %IZ TO BE STAMPED IN AFTER TESTING.

NAMEPLATE MATERIAL: ALUMINUM

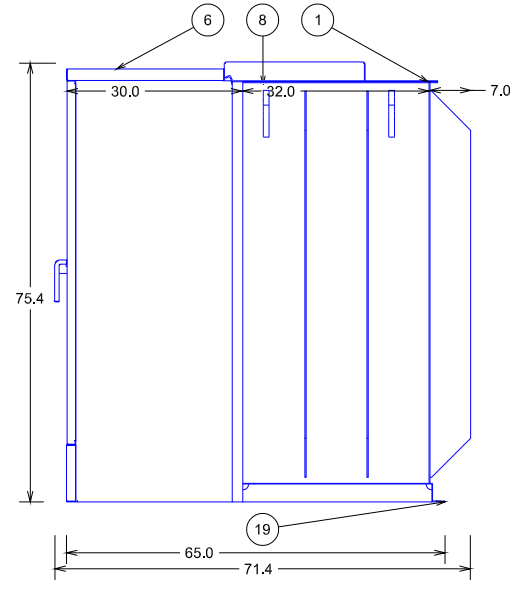
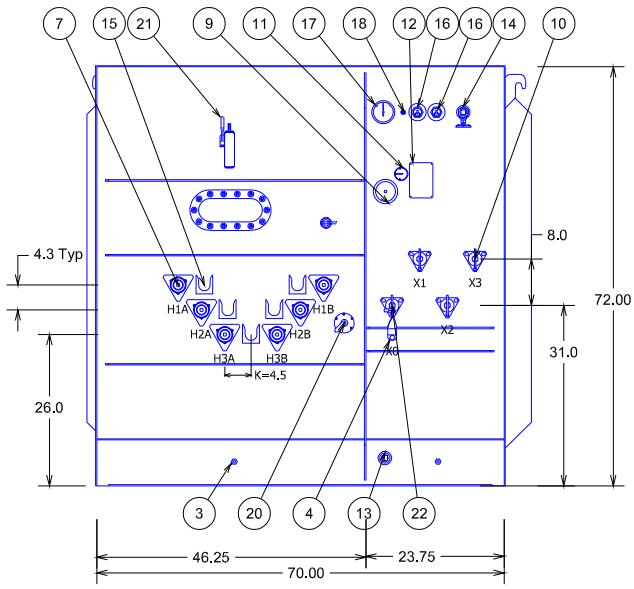
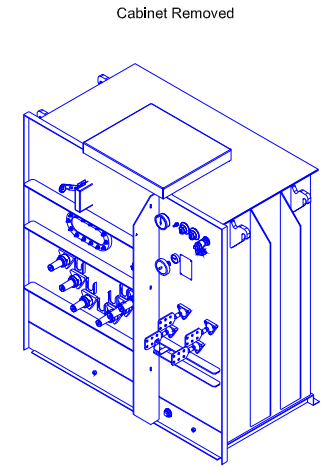
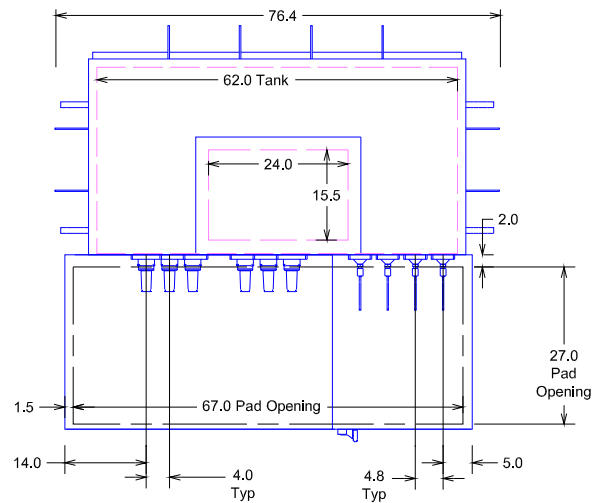
211292088,14

1189610A4565 REVISIONS

Table with columns for MATERIAL, ALL DIMENSIONS ARE IN INCHES [MM], THE INFORMATION ON THIS DOCUMENT WAS CREATED BY EATON..., EATON logo, TITLE: LASER NAMEPLATE, DESC: COOPER POWER SERIES 00026P10X8YA, DWG: PTP, DATE: 5/29/2017, REF, SHEET #: 1 of 1, SCALE: 1=1, REV: 00, and part number 1189610A4565.

ITE	DESCRIPTION
1	Bolted Cover w/ Handhole w/ Nutguard
2	Current Limiting Backup Fuses (Internal)
3	Ground Nut .50-13 Tap
4	Ground Strap and Nut
5	18.0kV (15.3kV MCOV) Elbow Arrester (boxed)
6	High Security Cabinet w/ Pentahead Door Bolts
7	35kV 200 Amp HV Bushing Well w/ 15kV Insert
8	Lifting Lug
9	Liquid Temperature Gauge
10	1.2kV LV Bushing w/6 Hole Spade
11	Magnetic Oil Level Gauge
12	Nameplate
13	One Inch Drain Plug
14	One Inch Upper Fill Valve
15	Parking Stand
16	Pressure Relief Valve
17	Pressure Vacuum Gauge
18	Schrader Valve
19	Tank Base w/ Jacking and Rolling Facilities
20	5-Position Tap Changer
21	Vacuum Fault Interrupter with Visible Disconnect Switch
22	X0 Bushing

0002BP10XYNA  
REVISIONS




**EXTEND THE PAD 18" BEYOND EACH SIDE OF THE TRANSFORMER.**

3PH Padmount Transformer 60Hz  
300.0 kVA KNAN 65 AWR FR3  
HV 12470D 95 kV BIL  
LV 480Y/277 30 kV BIL  
3.28 %IZ

Munsell Green Topcoat  
Mild Steel Construction  
FM Approved for Outdoor Use

SO 213380261  
PO 03042018LM1  
Customer MYERS & ASSOC ELECTRICAL SALES  
Project OSU DRAWINGS

MATERIAL:		 <b>Powering Business Worldwide</b>			
ALL DIMENSIONS ARE IN INCHES [MM]					
THE INFORMATION ON THIS DOCUMENT WAS CREATED BY EATON. IT WAS DISCLOSED IN CONFIDENCE AND IS ONLY TO BE USED FOR THE PURPOSE IN WHICH IT WAS SUPPLIED.		TITLE: Distribution Transformer Outline Drawing			
THIS DRAWING HAS BEEN GENERATED FROM A 3D MODEL.		DESC: <b>COOPER POWER SERIES</b> THREE-PHASE PAD-MOUNTED COMPARTMENTAL TYPE			
DWG: PTP	DATE: 4/10/2018	REF: P3D V03R09M00	SHEET #: 1 OF 1	SCALE: 00	REV: 00
<b>0002BP10XYNA</b>					



COOPER POWER SERIES

3φ DISTRIBUTION TRANSFORMER ASSEMBLED IN WAUKESHA, WI U.S.A

300 65°C 60Hz

NAMEPLATE 0002BP10XYNA

12470 KNAN

480Y/277 3.28 %IZ @85°C MFG DATE

HV KV BIL 95 PCB CONTENT LESS THAN 1 PPM AT TIME OF MANUFACTURE
HV NEUTRAL KV BIL -- CAUTION - READ INSTRUCTION MANUAL MN202001EN
LV KV BIL 30 EF CARD FOR VFI CONTROL
HV/LV CONDUCTOR CU/CU

APPROX. WEIGHT IN LBS.

Table with 2 columns: Component, Weight. Rows: CORE & COIL UNTANKING (1562), TANK & FIT (2020), FLUID: FR3™ GALLONS: 406 (3118), TOTAL (6700)

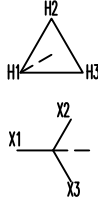
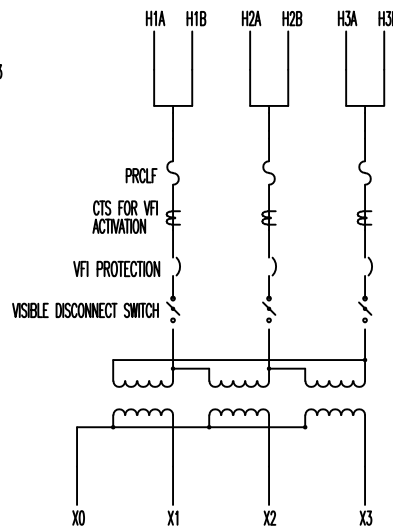


Table with 3 columns: TAP, VOLTAGE, MAX AMPS. Rows: A (13090, 13.2), B (12780, 13.6), C (12470, 13.9), D (12160, 14.2), E (11850, 14.6)



MAX AMPS AT 300 KVA
%IZ AT BASE KVA AND RATED VOLTAGE
DOE EFFICIENCY COMPLIANT

PRCLF = CBUC15100C100
VFI MAXIMUM MIN TRIP = 70 AMPS

- NOTES: 1) ACTUAL PLATE IS A NEGATIVE OF THE ABOVE DRAWING. 2) ACTUAL %IZ TO BE STAMPED IN AFTER TESTING.

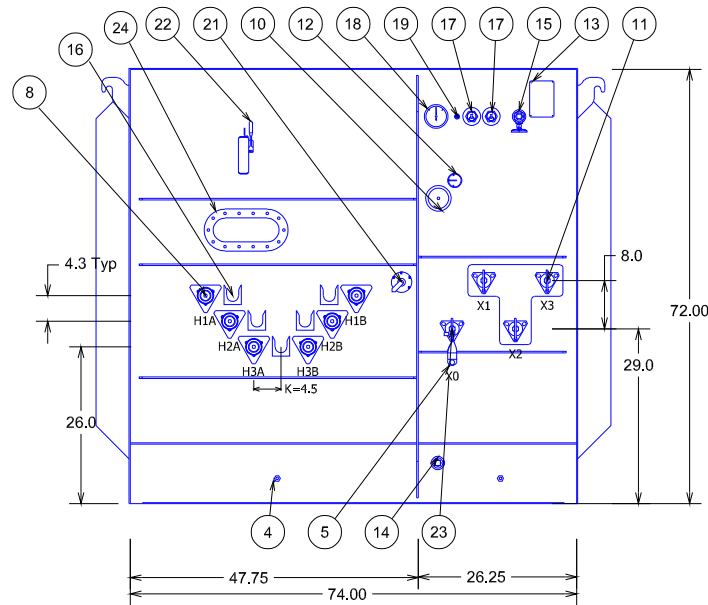
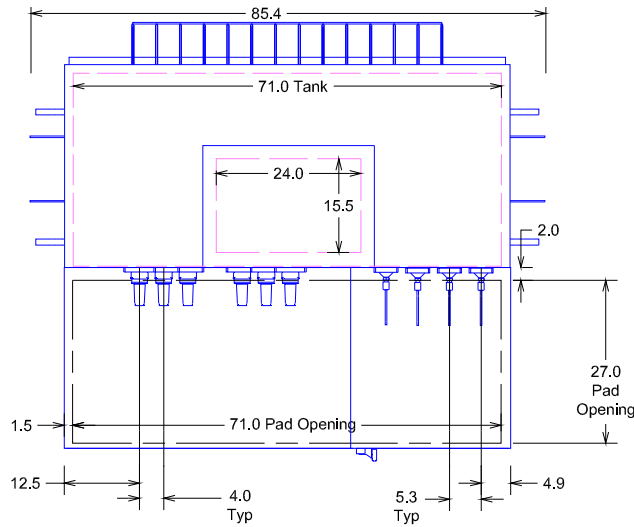
NAMEPLATE MATERIAL: ALUMINUM

213228016,41

1189610A8500 REVISIONS

Table with 2 main columns: MATERIAL and EATON logo. Includes fields for ALL DIMENSIONS ARE IN INCHES [MM], TITLE: LASER NAMEPLATE, DESC: COOPER POWER SERIES 0002BP10XYNA, DWG: PTP, DATE: 4/11/2018, REF, SHEET #: 1 of 1, SCALE: 1=1, REV: 00, and part number 1189610A8500.

ITE	DESCRIPTION
1	Bolted Cover w/ Handhole w/ Nutguard
2	Cooling Corrugate
3	Current Limiting Backup Fuses (Internal)
4	Ground Nut .50-13 Tap
5	Ground Strap and Nut
6	15.0kV (12.7kV MCOV) Elbow Arrester (boxed)
7	High Security Cabinet w/ Pentahead Door Bolts
8	35kV 200 Amp HV Bushing Well w/ 15kV Insert
9	Lifting Lug
10	Liquid Temperature Gauge
11	1.2kV LV Bushing w/6 Hole Spade
12	Magnetic Oil Level Gauge
13	Nameplate
14	One Inch Drain Plug
15	One Inch Upper Fill Valve
16	Parking Stand
17	Pressure Relief Valve
18	Pressure Vacuum Gauge
19	Schrader Valve
20	Tank Base w/ Jacking and Rolling Facilities
21	5-Position Tap Changer
22	Vacuum Fault Interrupter
23	X0 Bushing
24	Visible Disconnect Window



**EXTEND THE PAD 18" BEYOND EACH SIDE OF THE TRANSFORMER.**

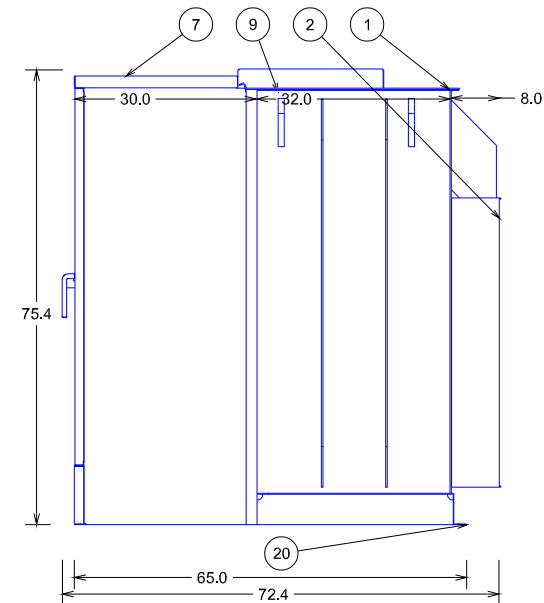
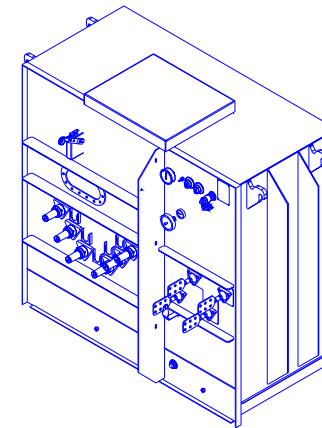
3PH Padmount Transformer 60Hz  
 500.0 kVA KNAN 65 AWR FR3  
 HV 12470D 95 kV BIL  
 LV 208Y/120 30 kV BIL  
 Munsell Green Topcoat  
 Mild Steel Construction  
 FM Approved for Outdoor Use


Sales Order : 212897968  
 Customer Name : ECONOMY SUPPLY INC  
 Purchase Order : 200629284

Cabinet Removed

0002AP11XYCA

REVISIONS



MATERIAL:		 <b>Powering Business Worldwide</b>		
ALL DIMENSIONS ARE IN INCHES [MM]				
THE INFORMATION ON THIS DOCUMENT WAS CREATED BY EATON. IT WAS DISCLOSED IN CONFIDENCE AND IS ONLY TO BE USED FOR THE PURPOSE IN WHICH IT WAS SUPPLIED.		TITLE: Distribution Transformer Outline Drawing		
		DESC: <b>COOPER POWER SERIES</b> THREE-PHASE PAD-MOUNTED COMPARTMENTAL TYPE		
DWG: PTP	DATE: 2/22/2018	REF: P3D V03R08M11	SHEET #: 1 OF 1	SCALE: REV: 00
THIS DRAWING HAS BEEN GENERATED FROM A 3D MODEL.		<b>0002AP11XYCA</b>		



COOPER POWER SERIES

3φ DISTRIBUTION TRANSFORMER ASSEMBLED IN WAUKESHA, WI U.S.A

500 65°C 60Hz

NAMEPLATE 0002AP11XYCA

12470 KNAN

208Y/120 3.72 %IZ @85°C MFG DATE

HV KV BIL 95 HV NEUTRAL KV BIL LV KV BIL 30 HV/LV CONDUCTOR CU/CU PCB CONTENT LESS THAN 1 PPM AT TIME OF MANUFACTURE CAUTION - READ INSTRUCTION MANUAL MN202001EN

APPROX. WEIGHT IN LBS.

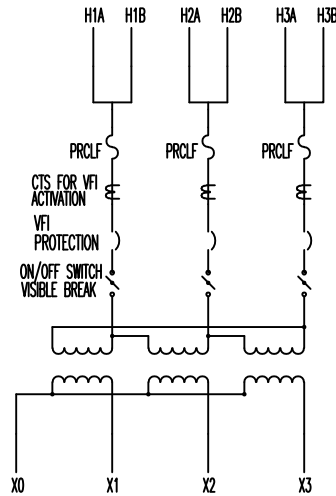
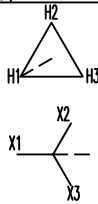
CORE & COIL UNTANKING 2290

TANK & FIT 2308

FLUID: FR3™ GALLONS: 445 3418

TOTAL 8016

TAP	VOLTAGE	MAX AMPS
A	13090	22.1
B	12780	22.6
C	12470	23.1
D	12160	23.7
E	11850	24.4



PRCLF = CBUC15125C100 VFI MAXIMUM MIN TRIP = 120A

MAX AMPS AT 500 KVA %IZ AT BASE KVA AND RATED VOLTAGE DOE EFFICIENCY COMPLIANT

- NOTES: 1) ACTUAL PLATE IS A NEGATIVE OF THE ABOVE DRAWING.  
2) ACTUAL %IZ TO BE STAMPED IN AFTER TESTING.

NAMEPLATE MATERIAL: ALUMINUM

212897968,15

1189610A7918 REVISIONS

MATERIAL:

ALL DIMENSIONS ARE IN INCHES [MM]

THE INFORMATION ON THIS DOCUMENT WAS CREATED BY EATON. IT WAS DISCLOSED IN CONFIDENCE AND IS ONLY TO BE USED FOR THE PURPOSE IN WHICH IT WAS SUPPLIED.



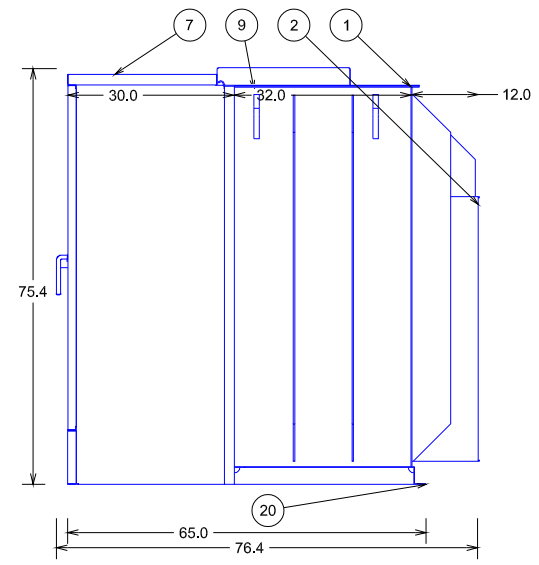
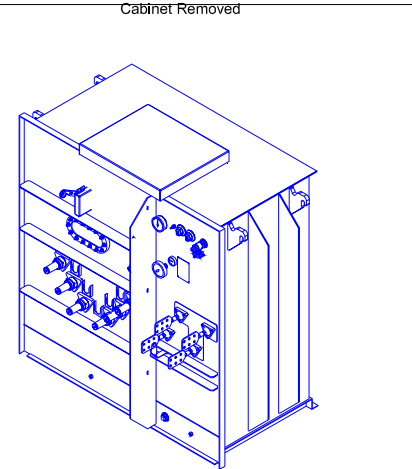
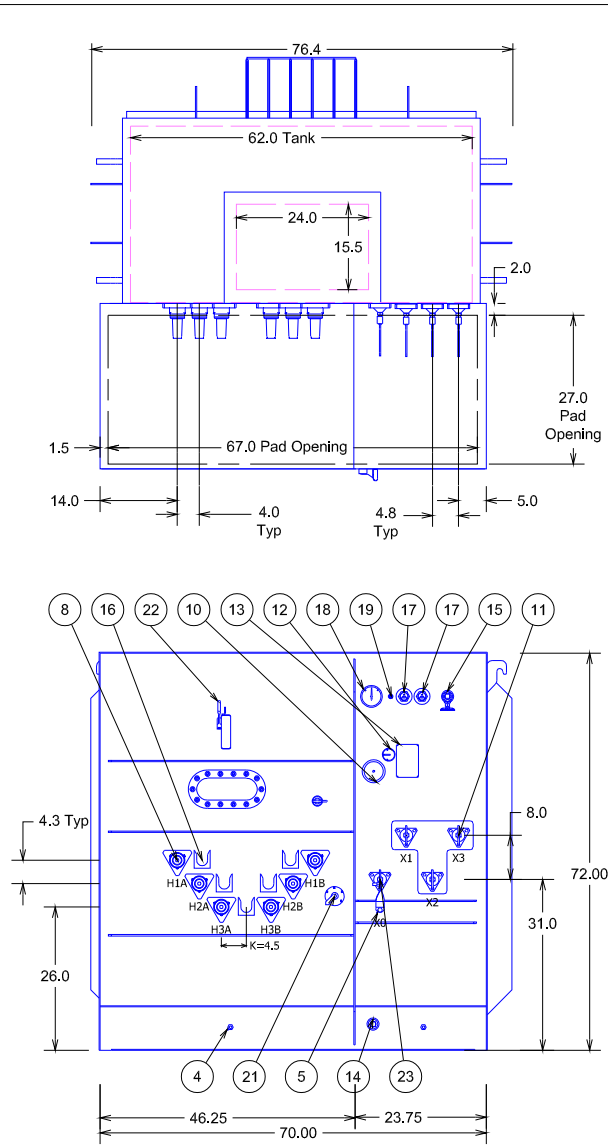
TITLE: LASER NAMEPLATE DESC: COOPER POWER SERIES 0002AP11XYCA

DWG: PTP DATE: 2/26/2018 REF: SHEET #: 1 of 1 SCALE: 1=1 REV: 00

1189610A7918

ITE	DESCRIPTION
1	Bolted Cover w/ Handhole w/ Nutguard
2	Cooling Corrugate
3	Current Limiting Backup Fuses (Internal)
4	Ground Nut .50-13 Tap
5	Ground Strap and Nut
6	18.0kV (15.3kV MCOV) Elbow Arrester (boxed)
7	High Security Cabinet w/ Pentahead Door Bolts
8	35kV 200 Amp HV Bushing Well w/ 15kV Insert
9	Lifting Lug
10	Liquid Temperature Gauge
11	1.2kV LV Bushing w/6 Hole Spade
12	Magnetic Oil Level Gauge
13	Nameplate
14	One Inch Drain Plug
15	One Inch Upper Fill Valve
16	Parking Stand
17	Pressure Relief Valve
18	Pressure Vacuum Gauge
19	Schrader Valve
20	Tank Base w/ Jacking and Rolling Facilities
21	5-Position Tap Changer
22	Vacuum Fault Interrupter with Visible Disconnect Switch
23	X0 Bushing

**EXTEND THE PAD 18" BEYOND EACH SIDE OF THE TRANSFORMER.**



3PH Padmount Transformer 60Hz  
 500.0 kVA KNAN 65 AWR FR3  
 HV 12470D 95 kV BIL  
 LV 480Y/277 30 kV BIL  
 3.24 %IZ

Munsell Green Topcoat  
 Mild Steel Construction  
 FM Approved for Outdoor Use

SO 213380261  
 PO 03042018LM1  
 Customer MYERS & ASSOC ELECTRICAL SALES  
 Project OSU DRAWINGS

MATERIAL:  
 ALL DIMENSIONS ARE IN INCHES [MM]  
 THE INFORMATION ON THIS DOCUMENT WAS CREATED BY EATON. IT WAS DISCLOSED IN CONFIDENCE AND IS ONLY TO BE USED FOR THE PURPOSE IN WHICH IT WAS SUPPLIED.  
 THIS DRAWING HAS BEEN GENERATED FROM A 3D MODEL.

**EATON**  
*Powering Business Worldwide*

TITLE: Distribution Transformer Outline Drawing  
 DESC: **COOPER POWER SERIES** THREE-PHASE PAD-MOUNTED COMPARTMENTAL TYPE

DWG: PTP	DATE: 4/10/2018	REF: P3D V03R09M00	SHEET #: 1 OF 1	SCALE:	REV: 00
----------	-----------------	--------------------	-----------------	--------	---------

**0002BP11XYRA**

**0002BP11XYRA**  
 REVISIONS



COOPER POWER SERIES

3φ DISTRIBUTION TRANSFORMER ASSEMBLED IN WAUKESHA, WI U.S.A

500 65°C 60Hz

NAMEPLATE 0002BP11XYRA

12470 KNAN

480Y/277 3.24 %IZ @85°C MFG DATE

HV KV BIL 95
HV NEUTRAL KV BIL --
LV KV BIL 30
HV/LV CONDUCTOR CU/CU

PCB CONTENT LESS THAN 1 PPM AT TIME OF MANUFACTURE
CAUTION - READ INSTRUCTION MANUAL MN202001EN
EF CARD FOR VFI CONTROL

APPROX. WEIGHT IN LBS.

Table with 2 columns: Component, Weight. Rows: CORE & COIL UNTANKING (2118), TANK & FIT (2134), FLUID: FR3™ GALLONS: 403 (3095), TOTAL (7347)

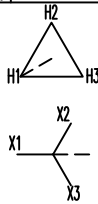
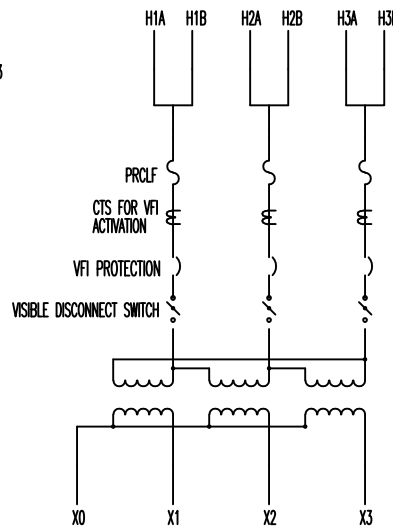


Table with 3 columns: TAP, VOLTAGE, MAX AMPS. Rows: A (13090, 22.1), B (12780, 22.6), C (12470, 23.1), D (12160, 23.7), E (11850, 24.4)



MAX AMPS AT 500 KVA
%IZ AT BASE KVA AND RATED VOLTAGE
DOE EFFICIENCY COMPLIANT

PRCLF = CBUC15165D100
VFI MAXIMUM MIN TRIP = 120 AMPS

- NOTES: 1) ACTUAL PLATE IS A NEGATIVE OF THE ABOVE DRAWING. 2) ACTUAL %IZ TO BE STAMPED IN AFTER TESTING.

NAMEPLATE MATERIAL: ALUMINUM

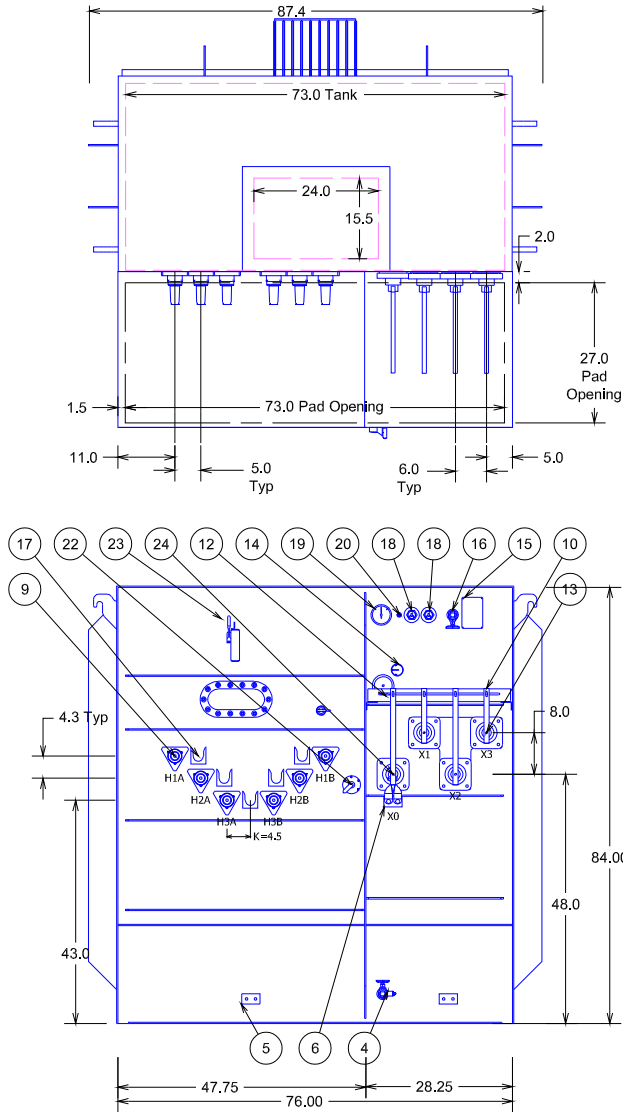
213228016,52

1189610A8491 REVISIONS

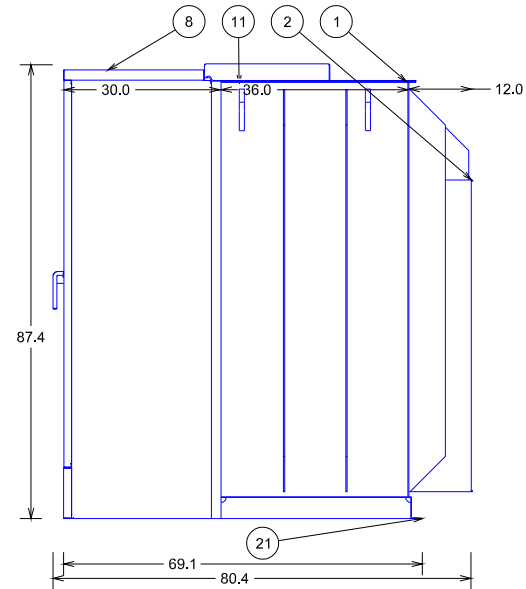
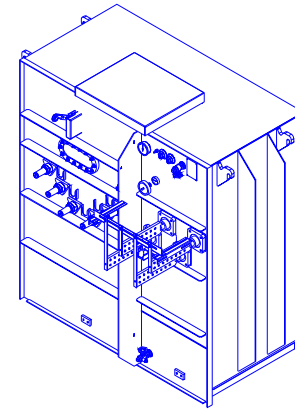
Technical drawing header containing material info, Eaton logo, title (LASER NAMEPLATE), description (COOPER POWER SERIES 0002BP11XYRA), date (4/11/2018), and part number (1189610A8491)

ITE	DESCRIPTION
1	Bolted Cover w/ Handhole w/ Nutguard
2	Cooling Corrugate
3	Current Limiting Backup Fuses (Internal)
4	Drain Valve with Sampler
5	Ground Pad .50-13 Tap
6	Ground Strap and Pad
7	18.0kV (15.3kV MCOV) Elbow Arrester (boxed)
8	High Security Cabinet w/ Pentahed Door Bolts
9	35kV 200 Amp HV Bushing Well w/ 15kV Insert
10	LV Bushing Support
11	Lifting Lug
12	Liquid Temperature Gauge
13	1.2kV LV Bushing w/16 Hole Spade Supported
14	Magnetic Oil Level Gauge
15	Nameplate
16	One Inch Upper Fill Valve
17	Parking Stand
18	Pressure Relief Valve
19	Pressure Vacuum Gauge
20	Schrader Valve
21	Tank Base w/ Jacking and Rolling Facilities
22	5-Position Tap Changer
23	Vacuum Fault Interrupter with Visible Disconnect Switch
24	X0 Bushing

**EXTEND THE PAD 18" BEYOND EACH SIDE OF THE TRANSFORMER.**



Cabinet Removed



0002BP12XYWA

REVISIONS

3PH Padmount Transformer 60Hz  
750.0 kVA KNAN 65 AWR FR3  
HV 12470D 95 kV BIL  
LV 208Y/120 30 kV BIL  
5.75 %IZ

Munsell Green Topcoat  
Mild Steel Construction  
FM Approved for Outdoor Use

SO 213380261  
PO 03042018LM1  
Customer MYERS & ASSOC ELECTRICAL SALES  
Project OSU DRAWINGS

MATERIAL:

ALL DIMENSIONS ARE IN INCHES (MM)

THE INFORMATION ON THIS DOCUMENT WAS CREATED BY EATON. IT WAS DISCLOSED IN CONFIDENCE AND IS ONLY TO BE USED FOR THE PURPOSE IN WHICH IT WAS SUPPLIED.

THIS DRAWING HAS BEEN GENERATED FROM A 3D MODEL.



TITLE: Distribution Transformer Outline Drawing  
DESC: COOPER POWER SERIES THREE-PHASE PAD-MOUNTED COMPARTMENTAL TYPE

DWG: PTP	DATE: 4/11/2018	REF: P3D V03R09M00	SHEET #: 1 OF 1	SCALE: 01
----------	-----------------	--------------------	-----------------	-----------

**0002BP12XYWA**





COOPER POWER SERIES

3φ DISTRIBUTION TRANSFORMER ASSEMBLED IN WAUKESHA, WI U.S.A

750 65°C 60Hz

0002BP12XYWA

12470 KNAN

208Y/120 5.75 %IZ @85°C MFG DATE

HV KV BIL 95 PCB CONTENT LESS THAN 1 PPM AT TIME OF MANUFACTURE CAUTION - READ INSTRUCTION MANUAL MN202001EN EF CARD FOR VFI CONTROL

APPROX. WEIGHT IN LBS.

CORE & COIL UNTANKING 3227

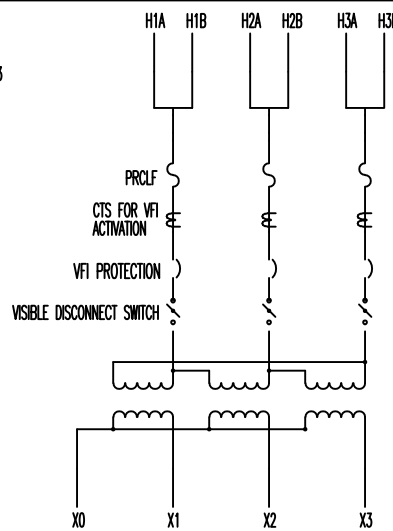
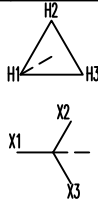
TANK & FIT 3016

FLUID: FR3™ 5253 GALLONS: 684

TOTAL 11496

TAP	VOLTAGE	MAX AMPS
A	13090	33.1
B	12780	33.9
C	12470	34.7
D	12160	35.6
E	11850	36.5

MAX AMPS AT 750 KVA %IZ AT BASE KVA AND RATED VOLTAGE DOE EFFICIENCY COMPLIANT



PRCLF = CBUC15150D100 VFI MAXIMUM MIN TRIP = 180 AMPS

- NOTES: 1) ACTUAL PLATE IS A NEGATIVE OF THE ABOVE DRAWING.  
2) ACTUAL %IZ TO BE STAMPED IN AFTER TESTING.

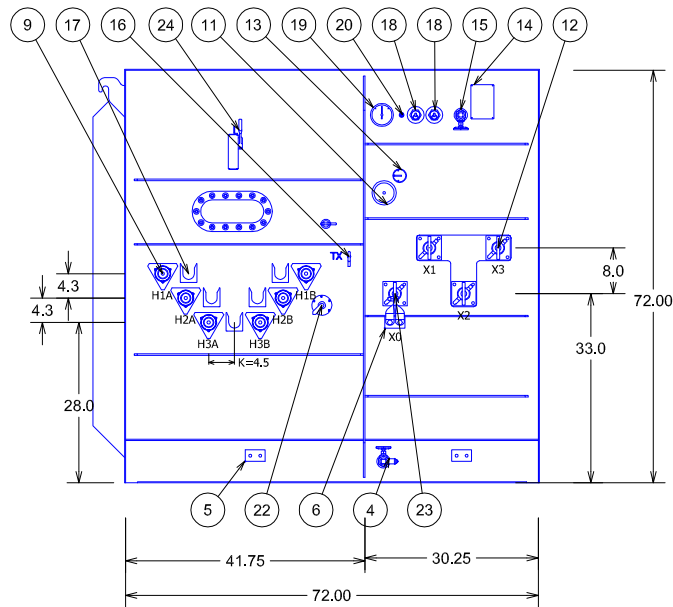
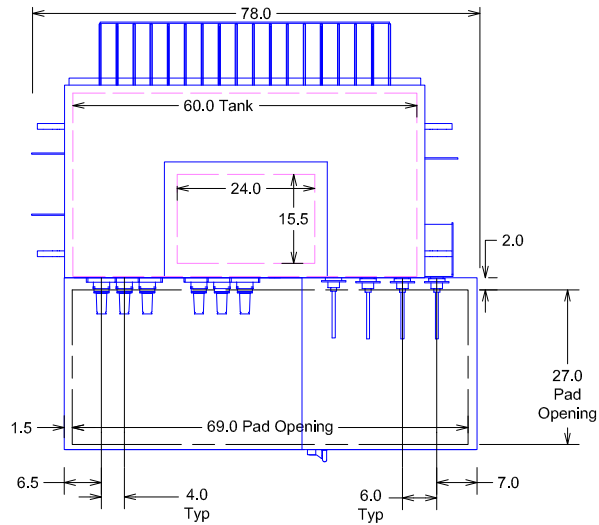
NAMEPLATE MATERIAL: ALUMINUM

213228016,16

1189610A8514 REVISIONS

MATERIAL:			
ALL DIMENSIONS ARE IN INCHES [MM]		TITLE: LASER NAMEPLATE	
THE INFORMATION ON THIS DOCUMENT WAS CREATED BY EATON. IT WAS DISCLOSED IN CONFIDENCE AND IS ONLY TO BE USED FOR THE PURPOSE IN WHICH IT WAS SUPPLIED.		DESC: COOPER POWER SERIES 0002BP12XYWA	
DWG: PTP	DATE: 4/11/2018	REF:	SHEET #: 1 of 1
			SCALE: 1=1
			REV: 00
<b>1189610A8514</b>			

ITE	DESCRIPTION
1	Bolted Cover w/ Handhole w/ Nutguard
2	Cooling Corrugate
3	Current Limiting Backup Fuses (Internal)
4	Drain Valve with Sampler
5	Ground Pad .50-13 Tap
6	Ground Strap and Pad
7	15.0kV (12.7kV MCOV) Elbow Arrester (boxed)
8	High Security Cabinet w/ Pentahead Door Bolts
9	35kV 200 Amp HV Bushing Well w/ 15kV Insert
10	Lifting Lug
11	Liquid Temperature Gauge
12	1.2kV LV Bushing w/8 Hole Spade
13	Magnetic Oil Level Gauge
14	Nameplate
15	One Inch Upper Fill Valve
16	Two Position Loadbreak Switch
17	Parking Stand
18	Pressure Relief Valve
19	Pressure Vacuum Gauge
20	Schrader Valve
21	Tank Base w/ Jacking and Rolling Facilities
22	5-Position Tap Changer
23	X0 Bushing
24	Vacuum Fault Interrupter w/ Visible Disconnect Switch



EXTEND THE PAD 18" BEYOND EACH SIDE OF THE TRANSFORMER.

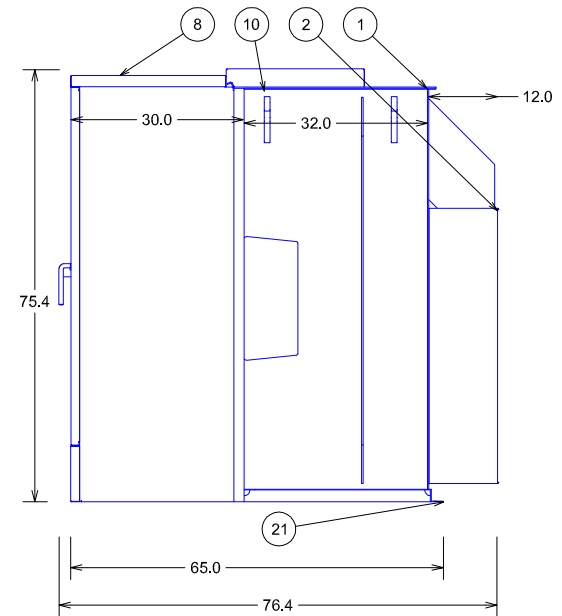
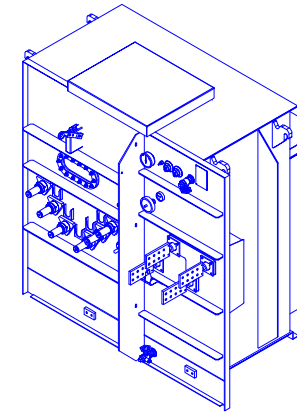
3PH Padmount Transformer 60Hz  
750.0 kVA KNAN 65 AWR FR3  
HV 12470D 95 kV BIL  
LV 480Y/277 30 kV BIL

Munsell Green Topcoat  
Mild Steel Construction  
FM Approved for Outdoor Use

Cabinet Removed

00026P12X7JA

REVISIONS



MATERIAL:

ALL DIMENSIONS ARE IN INCHES [MM]

THE INFORMATION ON THIS DOCUMENT WAS CREATED BY EATON. IT WAS DISCLOSED IN CONFIDENCE AND IS ONLY TO BE USED FOR THE PURPOSE IN WHICH IT WAS SUPPLIED.



TITLE: Distribution Transformer Outline Drawing  
DESC: COOPER POWER SERIES THREE-PHASE PAD-MOUNTED COMPARTMENTAL TYPE

DWG: PTP DATE: 5/17/2017 REF: P3D V03R08M03 SHEET #: 1 OF 1 SCALE: REV: 00

00026P12X7JA



COOPER POWER SERIES

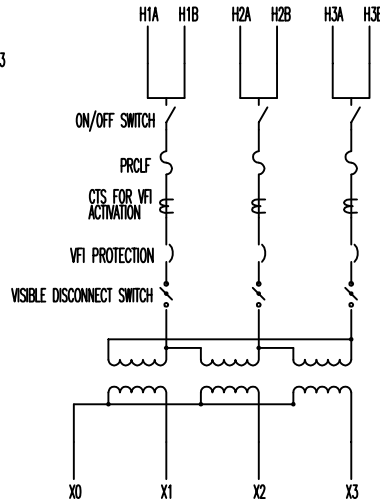
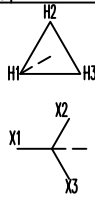
3φ DISTRIBUTION TRANSFORMER ASSEMBLED IN WAUKESHA, WI U.S.A

KV	750	65°C	60Hz
MANUFACTURER	C 00026P12X7JA		
HT	12470	KNAN	
LV	480Y/277	5.74 %IZ @85°C	MFG DATE
HV KV BIL	95	PCB CONTENT LESS THAN 1 PPM AT TIME OF MANUFACTURE	
HV NEUTRAL KV BIL	--	CAUTION - READ INSTRUCTION MANUAL MN202001EN	
LV KV BIL	30		
HV/LV CONDUCTOR	CU/ CU		

APPROX. WEIGHT IN LBS.	
CORE & COIL UNTANKING	2657
TANK & FIT	2423
FLUID: FR3™ GALLONS: 399	3064
<b>TOTAL</b>	<b>8144</b>

TAP	VOLTAGE	MAX AMPS
A	13090	33.1
B	12780	33.9
C	12470	34.7
D	12160	35.6
E	11850	36.5

MAX AMPS AT 750 KVA  
%IZ AT BASE KVA AND RATED VOLTAGE  
DOE EFFICIENCY COMPLIANT



PRCLF = CBUC15150D100  
VFI MAXIMUM MIN TRIP = 180 AMPS

- NOTES: 1) ACTUAL PLATE IS A NEGATIVE OF THE ABOVE DRAWING.  
2) ACTUAL %IZ TO BE STAMPED IN AFTER TESTING.

NAMEPLATE MATERIAL: ALUMINUM

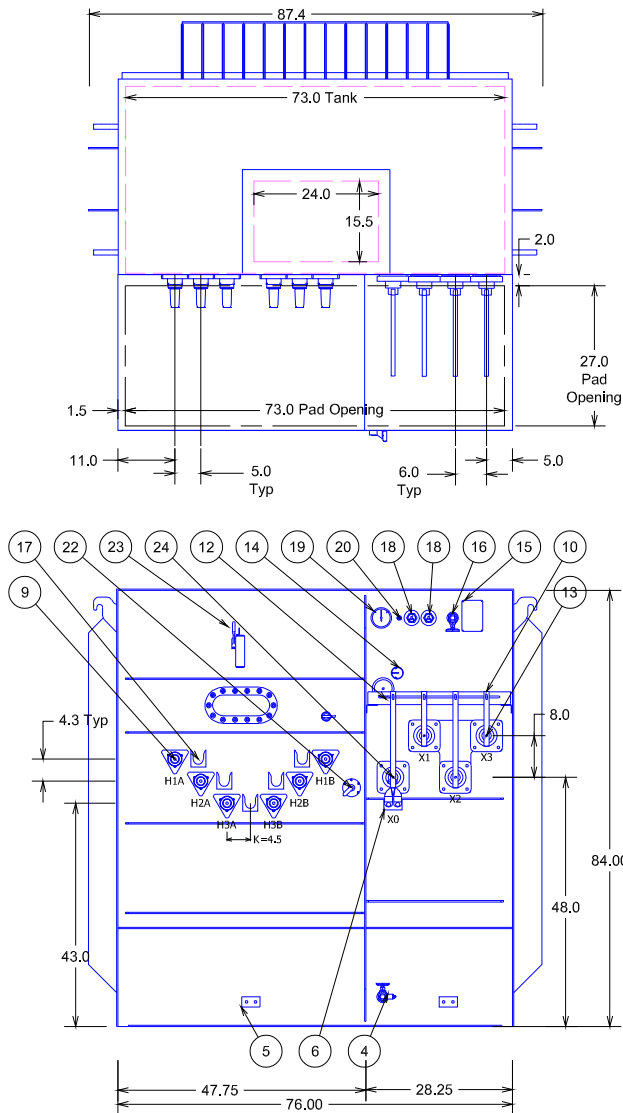
211257372,23

1189610A4438 REVISIONS

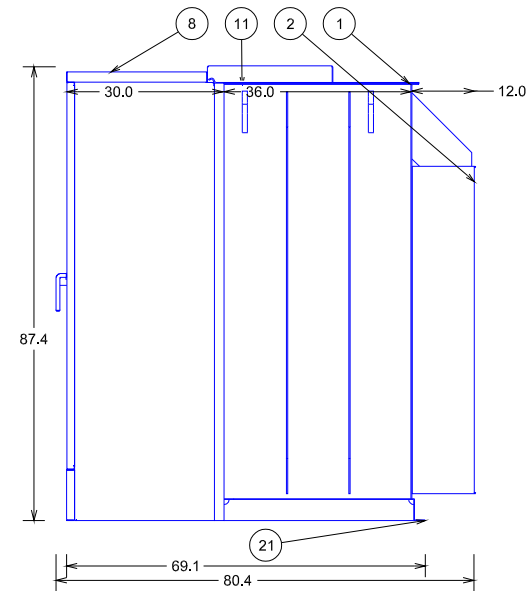
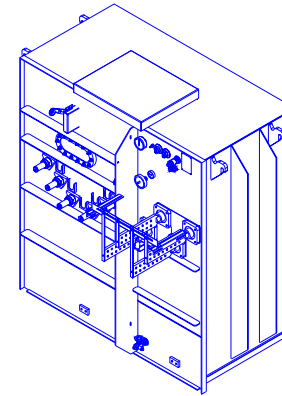
MATERIAL:			
ALL DIMENSIONS ARE IN INCHES [MM]		Powering Business Worldwide	
THE INFORMATION ON THIS DOCUMENT WAS CREATED BY EATON. IT WAS DISCLOSED IN CONFIDENCE AND IS ONLY TO BE USED FOR THE PURPOSE IN WHICH IT WAS SUPPLIED.			
TITLE: LASER NAMEPLATE		DESC: COOPER POWER SERIES 00026P12X7JA	
DWG: PTP	DATE: 5/18/2017	REF:	SHEET #: 1 of 1
			SCALE: 1=1
			REV: 00
<b>1189610A4438</b>			

ITE	DESCRIPTION
1	Bolted Cover w/ Handhole w/ Nutguard
2	Cooling Corrugate
3	Current Limiting Backup Fuses (Internal)
4	Drain Valve with Sampler
5	Ground Pad .50-13 Tap
6	Ground Strap and Pad
7	18.0kV (15.3kV MCOV) Elbow Arrester (boxed)
8	High Security Cabinet w/ Pentahead Door Bolts
9	35kV 200 Amp HV Bushing Well w/ 15kV Insert
10	LV Bushing Support
11	Lifting Lug
12	Liquid Temperature Gauge
13	1.2kV LV Bushing w/16 Hole Spade Supported
14	Magnetic Oil Level Gauge
15	Nameplate
16	One Inch Upper Fill Valve
17	Parking Stand
18	Pressure Relief Valve
19	Pressure Vacuum Gauge
20	Schrader Valve
21	Tank Base w/ Jacking and Rolling Facilities
22	5-Position Tap Changer
23	Vacuum Fault Interrupter with Vtstble Disconnect Switch
24	X0 Bushing

**EXTEND THE PAD 18" BEYOND EACH SIDE OF THE TRANSFORMER.**



Cabinet Removed



0002BP13XYXA  
REVISIONS

3PH Padmount Transformer 60Hz  
1000.0 kVA KNAN 65 AWR FR3  
HV 12470D 95 kV BIL  
LV 208Y/120 30 kV BIL  
5.73 %IZ

Munsell Green Topcoat  
Mild Steel Construction  
FM Approved for Outdoor Use

SO 213380261  
PO 03042018LM1  
Customer MYERS & ASSOC ELECTRICAL SALES  
Project OSU DRAWINGS

MATERIAL:

ALL DIMENSIONS ARE IN INCHES (MM)

THE INFORMATION ON THIS DOCUMENT WAS CREATED BY EATON. IT WAS DISCLOSED IN CONFIDENCE AND IS ONLY TO BE USED FOR THE PURPOSE IN WHICH IT WAS SUPPLIED.

THIS DRAWING HAS BEEN GENERATED FROM A 3D MODEL.



TITLE: Distribution Transformer Outline Drawing  
DESC: COOPER POWER SERIES THREE-PHASE PAD-MOUNTED COMPARTMENTAL TYPE

DWG: PTP	DATE: 4/11/2018	REF: P3D V03R09M00	SHEET #: 1 OF 1	SCALE: 03	REV: 03
----------	-----------------	--------------------	-----------------	-----------	---------

**0002BP13XYXA**



COOPER POWER SERIES

3φ DISTRIBUTION TRANSFORMER ASSEMBLED IN WAUKESHA, WI U.S.A

1000 65°C 60Hz

NAMEPLATE 0002BP13XYXA

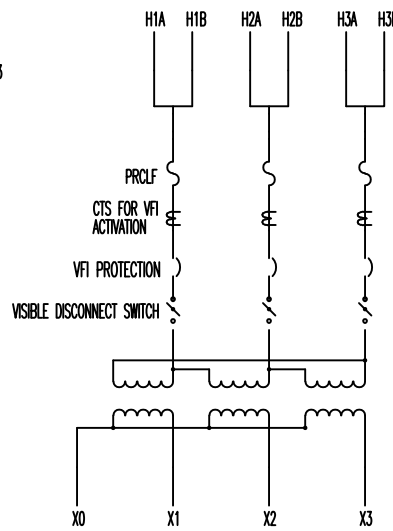
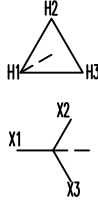
12470 KNAN

208Y/120 5.73%IZ @85°C MFG DATE

HV KV BIL 95 PCB CONTENT LESS THAN 1 PPM AT TIME OF MANUFACTURE
HV NEUTRAL KV BIL -- CAUTION - READ INSTRUCTION MANUAL MN202001EN
LV KV BIL 30 EF CARD FOR VFI CONTROL
HV/LV CONDUCTOR CU/CU

APPROX. WEIGHT IN LBS.

Table with 2 columns: Component, Weight. Rows: CORE & COIL UNTANKING (4047), TANK & FIT (3113), FLUID: FR3™ GALLONS: 672 (5161), TOTAL (12321)



MAX AMPS AT 1000 KVA
%IZ AT BASE KVA AND RATED VOLTAGE
DOE EFFICIENCY COMPLIANT

PRCLF = CBUC15165D100
VFI MAXIMUM MIN TRIP = 230 AMPS

- NOTES: 1) ACTUAL PLATE IS A NEGATIVE OF THE ABOVE DRAWING. 2) ACTUAL %IZ TO BE STAMPED IN AFTER TESTING.

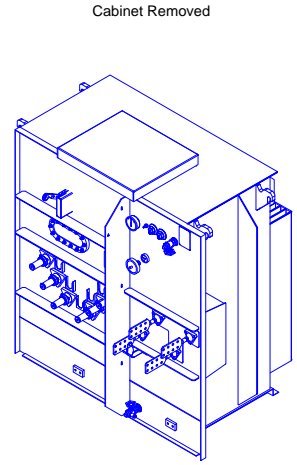
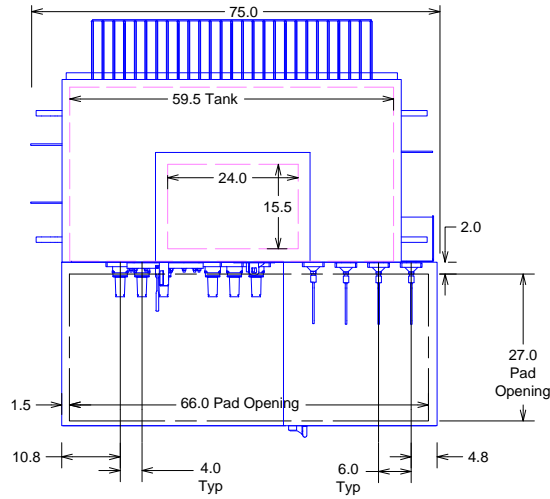
NAMEPLATE MATERIAL: ALUMINUM

213228016,17

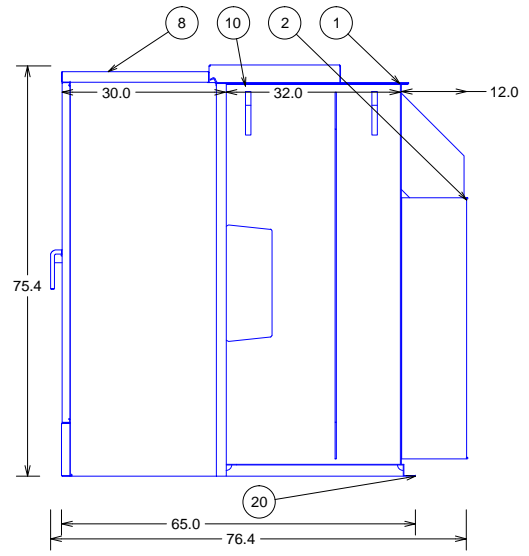
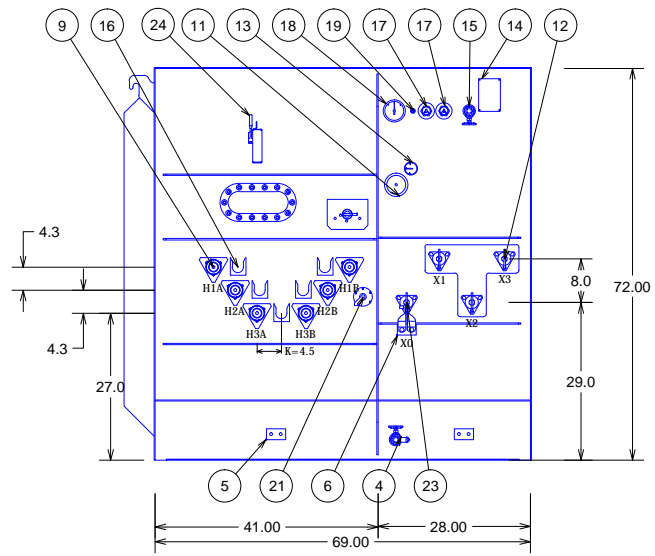
1189610A8513 REVISIONS

Table with columns: MATERIAL, ALL DIMENSIONS ARE IN INCHES [MM], THE INFORMATION ON THIS DOCUMENT WAS CREATED BY EATON... CONFIDENCE AND IS ONLY TO BE USED FOR THE PURPOSE IN WHICH IT WAS SUPPLIED., EATON logo, TITLE: LASER NAMEPLATE, DESC: COOPER POWER SERIES 0002BP13XYXA, DWG: PTP, DATE: 4/11/2018, REF:, SHEET #: 1 of 1, SCALE: 1=1, REV: 00, 1189610A8513

ITE	DESCRIPTION
1	Bolted Cover w/ Handhole w/ Nutguard
2	Cooling Corrugate
3	Current Limiting Backup Fuses (Internal)
4	Drain Valve with Sampler
5	Ground Pad .50-13 Tap
6	Ground Strap and Pad
7	15.0kV (12.7kV MCOV) Elbow Arrester (boxed)
8	High Security Cabinet w/ Pentahead Door Bolts
9	35kV 200 Amp HV Bushing Well w/ 15kV Insert
10	Lifting Lug
11	Liquid Temperature Gauge
12	1.2kV LV Bushing w/8 Hole Spade
13	Magnetic Oil Level Gauge
14	Nameplate
15	One Inch Upper Fill Valve
16	Parking Stand
17	Pressure Relief Valve
18	Pressure Vacuum Gauge
19	Schrader Valve
20	Tank Base w/ Jacking and Rolling Facilities
21	5-Position Tap Changer
23	X0 Bushing
24	Vacuum Fault Interrupter w/ Two-Position Visible Disconnect Switch




**00026P13X1MA**  
REVISIONS



**EXTEND THE PAD 18" BEYOND EACH SIDE OF THE TRANSFORMER.**

3PH Padmount Transformer 60Hz  
1000.0 kVA KNAN 65 AWR FR3  
HV 12470D 95 kV BIL  
LV 480Y/277 30 kV BIL  
Munsell Green Topcoat  
Mild Steel Construction  
FM Approved for Outdoor Use

SO: 211165853  
PO: 200627620  
Economy Supply Inc.  
OSU

MATERIAL:		 <b>Powering Business Worldwide</b>			
ALL DIMENSIONS ARE IN INCHES (MM)					
THE INFORMATION ON THIS DOCUMENT WAS CREATED BY EATON. IT WAS DISCLOSED IN CONFIDENCE AND IS ONLY TO BE USED FOR THE PURPOSE IN WHICH IT WAS SUPPLIED.		TITLE: Distribution Transformer Outline Drawing			
		DESC: COOPER POWER SERIES THREE-PHASE PAD-MOUNTED COMPARTMENTAL TYPE			
DWG: PTP	DATE: 5/3/2017	REF: P3D V03R08M03	SHEET #: 1 OF 1	SCALE: 00	REV: 00
<b>00026P13X1MA</b>					

**EATON** COOPER POWER SERIES 3  $\phi$  DISTRIBUTION TRANSFORMER ASSEMBLED IN WAUKESHA, WI U.S.A

<b>KVA</b> 1000	<b>65°C</b>   <b>60Hz</b>
<b>WCP#</b> 00026P13X1MA	
<b>V</b> 12470	<b>KNAN</b>
<b>V</b> 480Y/277	<b>5.73 %IZ @85°C</b> MFG DATE
HV KV BIL 95 HV NEUTRAL KV BIL --- LV KV BIL 30 HV/LV CONDUCTOR CU/ CU	PCB CONTENT LESS THAN 1 PPM AT TIME OF MANUFACTURE CAUTION - READ INSTRUCTION MANUAL MN202001EN EF CARD

APPROX. WEIGHT IN LBS.	
CORE & COIL UNTANKING	3227
TANK & FIT	2493
FLUID: FR3™ GALLONS: 392	3011
<b>TOTAL</b>	<b>8731</b>

TAP	VOLTAGE	MAX AMPS
A	13090	44.1
B	12780	45.2
C	12470	46.3
D	12160	47.5
E	11850	48.7

PRCLF = CBUC15165D100  
VFI MAXIMUM MIN TRIP = 230 AMPS

- NOTES:**
- 1) ACTUAL PLATE IS A NEGATIVE OF THE ABOVE DRAWING.
  - 2) ACTUAL %IZ TO BE STAMPED IN AFTER TESTING.

NAMEPLATE MATERIAL: ALUMINUM

211165583,71

1189610A4265 REVISIONS

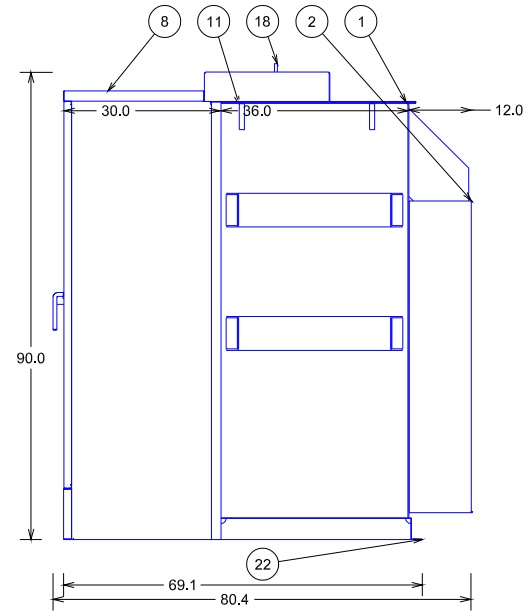
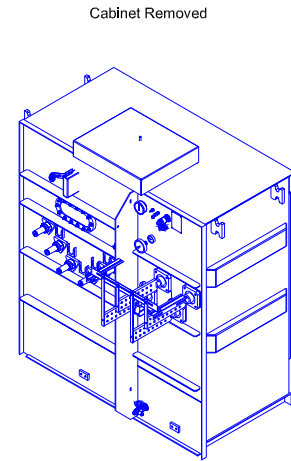
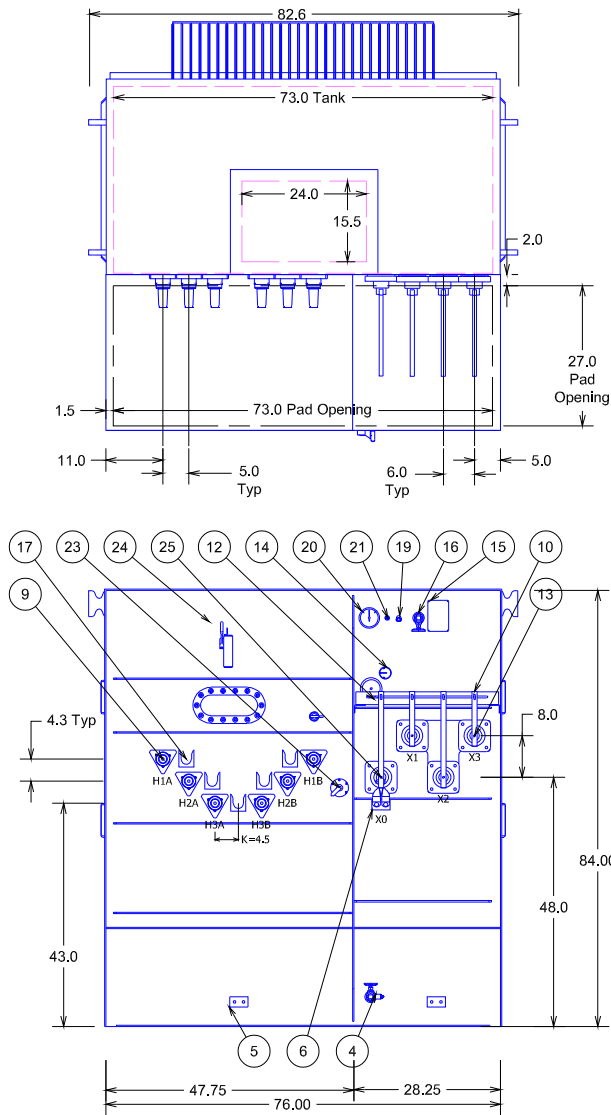
MATERIAL:		<b>EATON</b> <small>Powering Business Worldwide</small>	
ALL DIMENSIONS ARE IN INCHES [MM]		TITLE: LASER NAMEPLATE	
THE INFORMATION ON THIS DOCUMENT WAS CREATED BY EATON. IT WAS DISCLOSED IN CONFIDENCE AND IS ONLY TO BE USED FOR THE PURPOSE IN WHICH IT WAS SUPPLIED.		DESC: COOPER POWER SERIES 00026P13X1MA	
DWG: PTP	DATE: 5/4/2017	REF:	SHEET #: 1 of 1   SCALE: 1=1   REV: 00
<b>1189610A4265</b>			

ITE	DESCRIPTION
1	Welded Cover w/ Handhole
2	Cooling Corrugate
3	Current Limiting Backup Fuses (Internal)
4	Drain Valve with Sampler
5	Ground Pad .50-13 Tap
6	Ground Strap and Pad
7	18.0kV (15.3kV MCOV) Elbow Arrester (boxed)
8	High Security Cabinet w/ Pentahead Door Bolts
9	35kV 200 Amp HV Bushing Well w/ 15kV Insert
10	LV Bushing Support
11	Lifting Lug
12	Liquid Temperature Gauge
13	1.2kV LV Bushing w/16 Hole Spade Supported
14	Magnetic Oil Level Gauge
15	Nameplate
16	One Inch Upper Fill Valve
17	Parking Stand
18	Pressure Relief Devlce
19	Pressure Relief Valve
20	Pressure Vacuum Gauge
21	Schrader Valve
22	Tank Base w/ Jacking and Rolling Facilities
23	5-Position Tap Changer
24	Vacuum Fault Interrupter with Visible Disconnect Switch
25	X0 Bushing

**EXTEND THE PAD 18" BEYOND EACH SIDE OF THE TRANSFORMER.**


3PH Padmount Transformer 60Hz  
 1500.0 kVA KNAN 65 AWR FR3  
 HV 12470D 95 kV BIL  
 LV 208Y/120 30 kV BIL  
 5.74 %IZ

Munsell Green Topcoat  
 Mild Steel Construction  
 FM Approved for Outdoor Use



0002BA64XYYA  
 REVISIONS

SO 213380261  
 PO 03042018LM1  
 Customer MYERS & ASSOC ELECTRICAL SALES  
 Project OSU DRAWINGS

MATERIAL:		 <b>Powering Business Worldwide</b>	
ALL DIMENSIONS ARE IN INCHES (MM)			
THE INFORMATION ON THIS DOCUMENT WAS CREATED BY EATON. IT WAS DISCLOSED IN CONFIDENCE AND IS ONLY TO BE USED FOR THE PURPOSE IN WHICH IT WAS SUPPLIED.		TITLE: Distribution Transformer Outline Drawing	
		DESC: <b>COOPER POWER SERIES</b> THREE-PHASE PAD-MOUNTED COMPARTMENTAL TYPE	
DWG: PTP	DATE: 4/11/2018	REF: P3D V03R09M00	SHEET #: 1 OF 1
THIS DRAWING HAS BEEN GENERATED FROM A 3D MODEL.		SCALE: 00	REV: 00
<b>0002BA64XYYA</b>			





COOPER POWER SERIES

3φ DISTRIBUTION TRANSFORMER ASSEMBLED IN WAUKESHA, WI U.S.A

1500 65°C 60Hz

NAMEPLATE 0002BA64XYA

12470 KNAN

208Y/120 5.74 %IZ @85°C MFG DATE

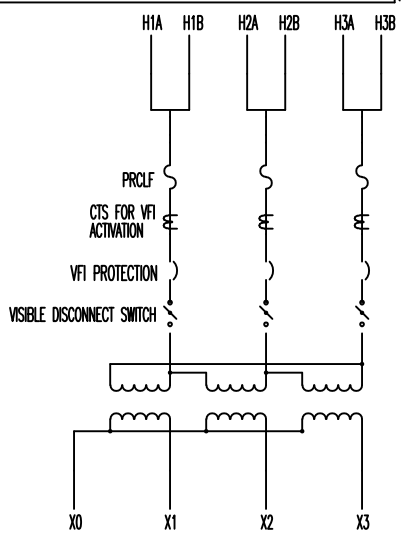
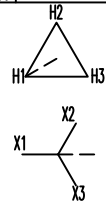
HV KV BIL 95
HV NEUTRAL KV BIL --
LV KV BIL 30
HV/LV CONDUCTOR CU/CU

PCB CONTENT LESS THAN 1 PPM AT TIME OF MANUFACTURE
CAUTION - READ INSTRUCTION MANUAL MN202001EN
EF CARD FOR VFI CONTROL

Table with 2 columns: Component, Weight in lbs.
APPROX. WEIGHT IN LBS.
CORE & COIL UNTANKING 6629
TANK & FIT 3562
FLUID: FR3™ GALLONS: 641 4923
TOTAL 15114

Table with 3 columns: TAP, VOLTAGE, MAX AMPS
A 13090 66.2
B 12780 67.8
C 12470 69.4
D 12160 71.2
E 11850 73.1

MAX AMPS AT 1500 KVA
%IZ AT BASE KVA AND RATED VOLTAGE
DOE EFFICIENCY COMPLIANT



PRCLF = CBUC15150D100 (2)
VFI MAXIMUM MIN TRIP = 400 AMPS

- NOTES: 1) ACTUAL PLATE IS A NEGATIVE OF THE ABOVE DRAWING.
2) ACTUAL %IZ TO BE STAMPED IN AFTER TESTING.

NAMEPLATE MATERIAL: ALUMINUM

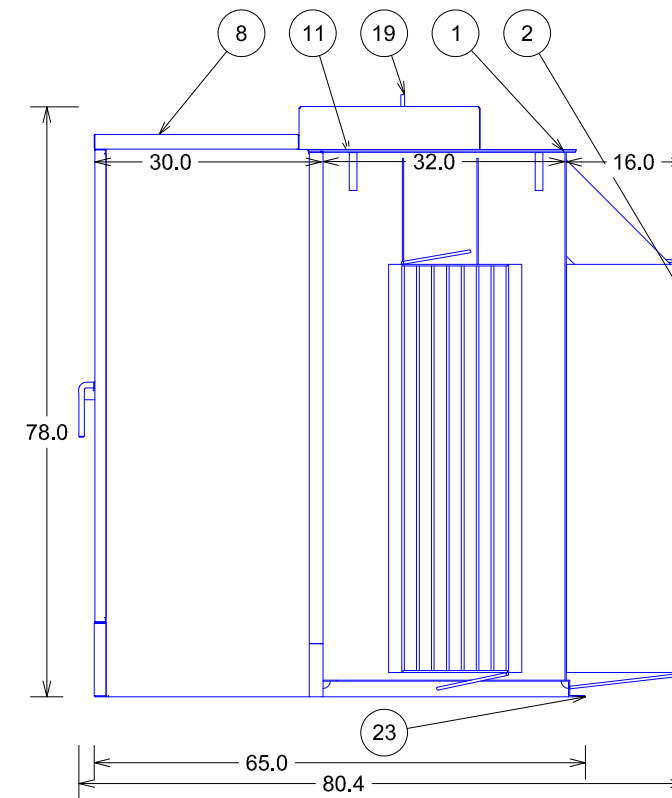
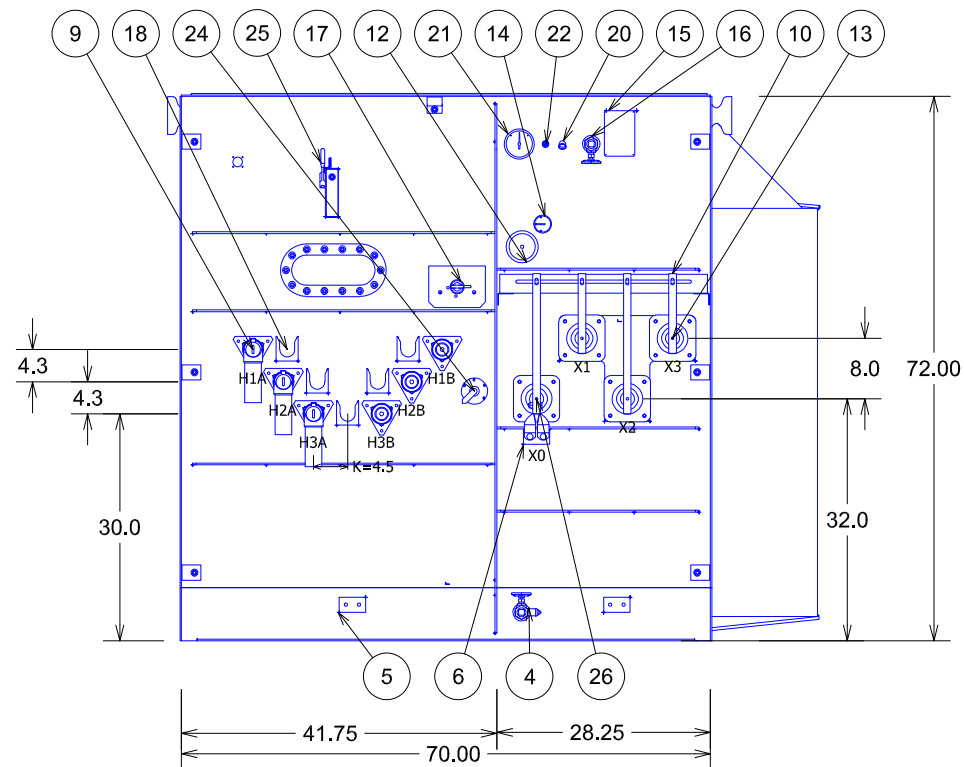
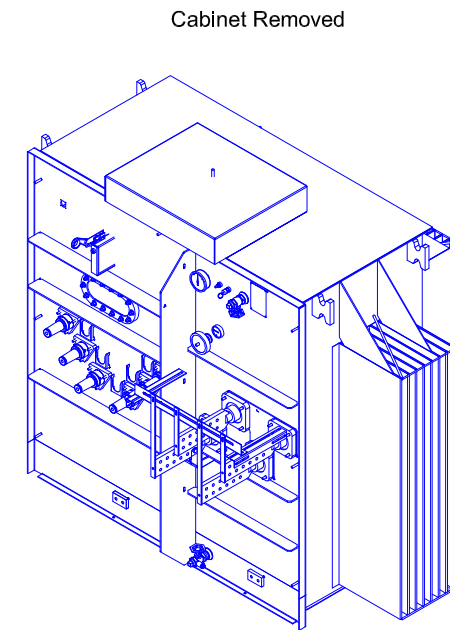
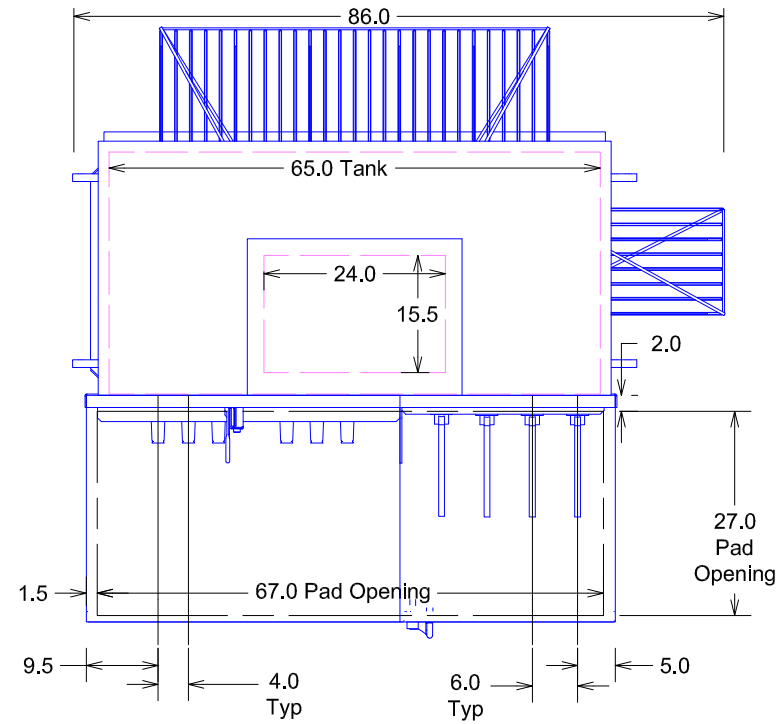
213228016,18

1189610A8508 REVISIONS

Technical specification table with columns for MATERIAL, DIMENSIONS, TITLE, DESC, DWG, DATE, REF, SHEET #, SCALE, REV. Includes Eaton logo and part number 1189610A8508.

ITE	DESCRIPTION
1	Welded Cover w/ Handhole
2	Cooling Corrugate
3	Current Limiting Backup Fuses (Internal)
4	Drain Valve with Sampler
5	Ground Pad .50-13 Tap
6	Ground Strap and Pad
7	15.0kV (12.7kV MCOV) Elbow Arrester (boxed)
8	High Security Cabinet w/ Pentahead Door Bolts
9	35kV 200 Amp HV Bushing Well w/ 15kV Insert
10	LV Bushing Support
11	Lifting Lug
12	Liquid Temperature Gauge
13	1.2kV LV Bushing w/12 Hole Spade Supported
14	Magnetic Oil Level Gauge
15	Nameplate
16	One Inch Upper Fill Valve
17	Two Position Loadbreak Switch w/ Visible Disconnect Window
18	Parking Stand
19	Pressure Relief Device
20	Pressure Relief Valve
21	Pressure Vacuum Gauge
22	Schrader Valve
23	Tank Base w/ Jacking and Rolling Facilities
24	5-Position Tap Changer
25	Vacuum Fault Interrupter
26	X0 Bushing


00024A64X8EA  
REVISIONS



EXTEND THE PAD 18" BEYOND EACH SIDE OF THE TRANSFORMER.

3PH Padmount Transformer 60Hz  
1500.0 kVA KNAN 65 AWR FR3  
HV 12470D 95 kV BIL  
LV 480Y/277 30 kV BIL  
5.73 %IZ  
Munsell Green Topcoat  
Mild Steel Construction  
FM Approved for Outdoor Use

SO 210477260  
PO 200626900  
Project Name OSU  
Customer ECONOMY SUPPLY INC

MATERIAL:		 <b>EATON</b> <i>Powering Business Worldwide</i>			
ALL DIMENSIONS ARE IN INCHES [MM]					
THE INFORMATION ON THIS DOCUMENT WAS CREATED BY EATON. IT WAS DISCLOSED IN CONFIDENCE AND IS ONLY TO BE USED FOR THE PURPOSE IN WHICH IT WAS SUPPLIED.		<b>TITLE: Distribution Transformer Outline Drawing</b> <b>DESC: COOPER POWER SERIES THREE-PHASE PAD-MOUNTED COMPARTMENTAL TYPE</b>			
DWG: PTP	DATE: 1/2/2017	REF: P3D V03R07M05	SHEET #: 1 OF 1	SCALE: 00	REV: 00
THIS DRAWING HAS BEEN GENERATED FROM A 3D MODEL.		<b>00024A64X8EA</b>			



COOPER POWER SERIES

3φ DISTRIBUTION TRANSFORMER ASSEMBLED IN WAUKESHA, WI U.S.A

1500 65°C 60Hz

NAMEPLATE 00024A64X8EA

12470 KNAN

480Y/277 5.73 %IZ @85°C MFG DATE

HV KV BIL 95 HV NEUTRAL KV BIL -- LV KV BIL 30 HV/LV CONDUCTOR CU/CU PCB CONTENT LESS THAN 1 PPM AT TIME OF MANUFACTURE CAUTION - READ INSTRUCTION MANUAL MN202001EN

APPROX. WEIGHT IN LBS.

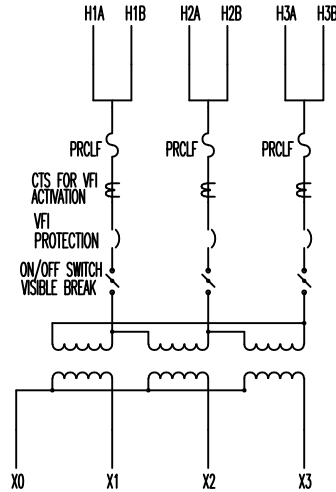
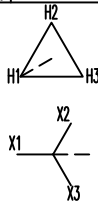
CORE & COIL UNTANKING 4434

TANK & FIT 3045

FLUID: FR3™ GALLONS: 437 3356

TOTAL 10835

TAP	VOLTAGE	MAX AMPS
A	13090	66.2
B	12780	67.8
C	12470	69.4
D	12160	71.2
E	11850	73.1



MAX AMPS AT 1500 KVA %IZ AT BASE KVA AND RATED VOLTAGE DOE EFFICIENCY COMPLIANT

PRCLF = CBUC15150D100 (2) VFI MAXIMUM MIN TRIP = 350 AMPS

- NOTES:
- 1) ACTUAL PLATE IS A NEGATIVE OF THE ABOVE DRAWING.
  - 2) ACTUAL %IZ TO BE STAMPED IN AFTER TESTING.

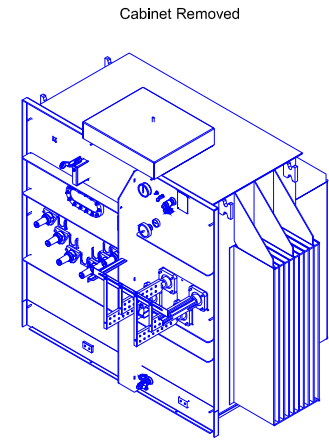
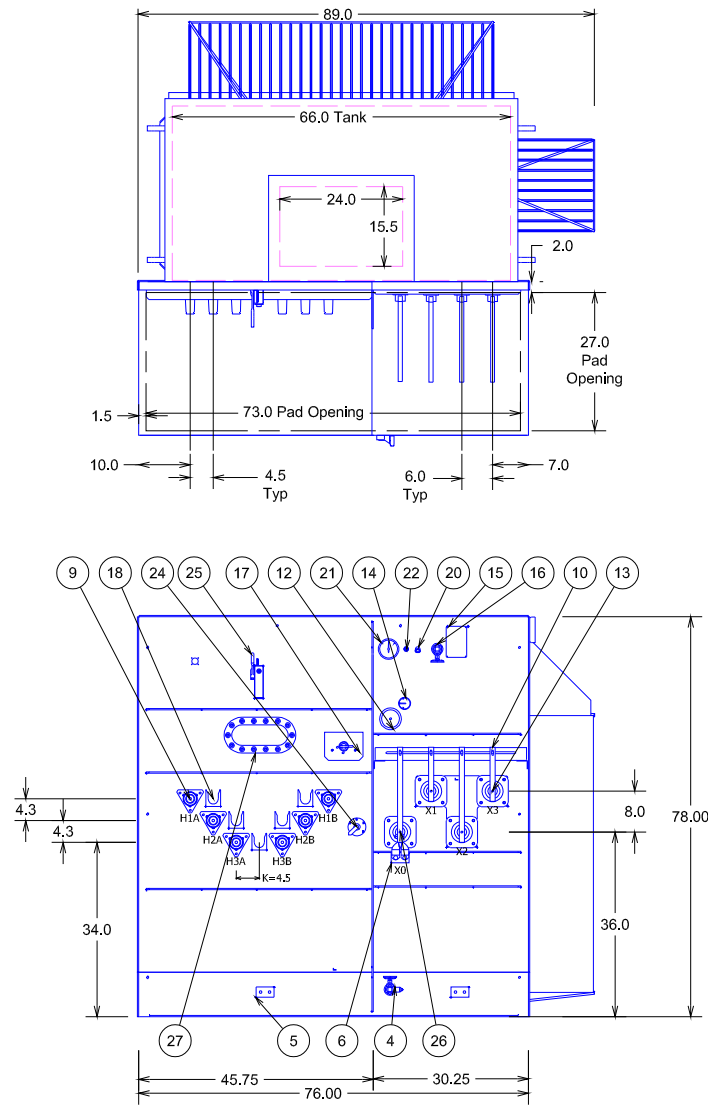
NAMEPLATE MATERIAL: ALUMINUM

21047726,81

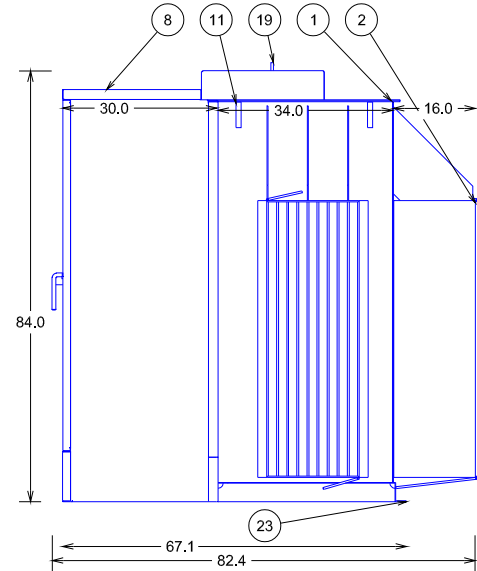
1189610A2877 REVISIONS

MATERIAL:			
ALL DIMENSIONS ARE IN INCHES [MM]		TITLE: LASER NAMEPLATE	
THE INFORMATION ON THIS DOCUMENT WAS CREATED BY EATON. IT WAS DISCLOSED IN CONFIDENCE AND IS ONLY TO BE USED FOR THE PURPOSE IN WHICH IT WAS SUPPLIED.		DESC: COOPER POWER SERIES 00024A64X8EA	
DWG: PTP	DATE: 1/3/2017	REF:	SHEET #: 1 of 1
			SCALE: 1=1
			REV: 00
<b>1189610A2877</b>			

ITE	DESCRIPTION
1	Welded Cover w/ Handhole
2	Cooling Corrugate
3	Current Limiting Backup Fuses (Internal)
4	Drain Valve with Sampler
5	Ground Pad .50-13 Tap
6	Ground Strap and Pad
7	15.0kV (12.7kV MCOV) Elbow Arrester (boxed)
8	High Security Cabinet w/ Pentahead Door Bolts
9	35kV 200 Amp HV Bushing Well w/ 15kV Insert
10	LV Bushing Support
11	Lifting Lug
12	Liquid Temperature Gauge
13	1.2kV LV Bushing w/16 Hole Spade Supported
14	Magnetic Oil Level Gauge
15	Nameplate
16	One Inch Upper Fill Valve
17	Visible Disconnect Switch
18	Parking Stand
19	Pressure Relief Device
20	Pressure Relief Valve
21	Pressure Vacuum Gauge
22	Schrader Valve
23	Tank Base w/ Jacking and Rolling Facilities
24	5-Position Tap Changer
25	Vacuum Fault Interrupter
26	X0 Bushing
27	Visible Disconnect Window



00023A65XXEA  
REVISIONS



3PH Padmount Transformer 60Hz  
2000.0 kVA KNAN 65 AWR FR3  
HV 12470D 95 kV BIL  
LV 480Y/277 30 kV BIL  
5.73 %IZ  
Munsell Green Topcoat  
Mild Steel Construction  
FM Approved for Outdoor Use

SO 210319115  
PO 200626766  
Project Name OSU BLANKET  
Customer ECONOMY SUPPLY INC

MATERIAL:

ALL DIMENSIONS ARE IN INCHES [MM]



THE INFORMATION ON THIS DOCUMENT WAS CREATED BY EATON. IT WAS DISCLOSED IN CONFIDENCE AND IS ONLY TO BE USED FOR THE PURPOSE IN WHICH IT WAS SUPPLIED.

TITLE: Distribution Transformer Outline Drawing  
DESC: COOPER POWER SERIES THREE-PHASE PAD-MOUNTED COMPARTMENTAL TYPE

THIS DRAWING HAS BEEN GENERATED FROM A 3D MODEL.

DWG: PTP	DATE: 11/30/2016	REF: P3D V03R07M02	SHEET #: 1 OF 1	SCALE:	REV: 00
----------	------------------	--------------------	-----------------	--------	---------

**00023A65XXEA**



COOPER POWER SERIES

3φ DISTRIBUTION TRANSFORMER ASSEMBLED IN WAUKESHA, WI U.S.A

2000 65°C 60Hz

NAMEPLATE 00023A65XXEA

12470 KNAN

480Y/277 5.73 %IZ @85°C MFG DATE

HV KV BIL 95 HV NEUTRAL KV BIL LV KV BIL 30 HV/LV CONDUCTOR CU/CU PCB CONTENT LESS THAN 1 PPM AT TIME OF MANUFACTURE CAUTION - READ INSTRUCTION MANUAL MN202001EN

APPROX. WEIGHT IN LBS.

CORE & COIL UNTANKING 5475

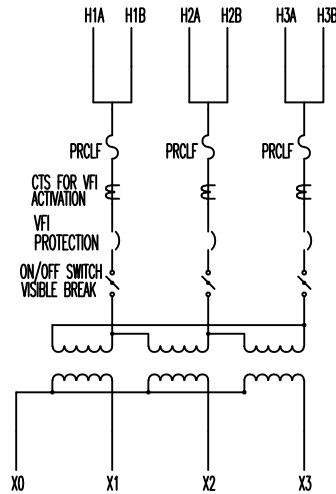
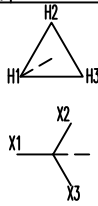
TANK & FIT 3736

FLUID: FR3™ GALLONS: 512 3932

TOTAL 13143

TAP	VOLTAGE	MAX AMPS
A	13090	88.2
B	12780	90.4
C	12470	92.6
D	12160	95.0
E	11850	97.4

MAX AMPS AT 2000 KVA %IZ AT BASE KVA AND RATED VOLTAGE DOE EFFICIENCY COMPLIANT



PRCLF = CBUC15150D100 (2) VFI MAXIMUM MIN TRIP = 380 AMPS

- NOTES: 1) ACTUAL PLATE IS A NEGATIVE OF THE ABOVE DRAWING.  
2) ACTUAL %IZ TO BE STAMPED IN AFTER TESTING.

NAMEPLATE MATERIAL: ALUMINUM

210319115,91

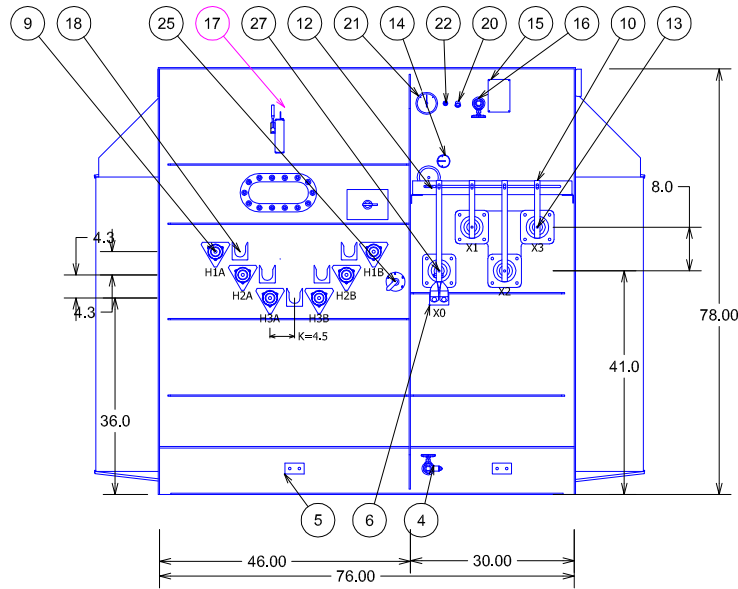
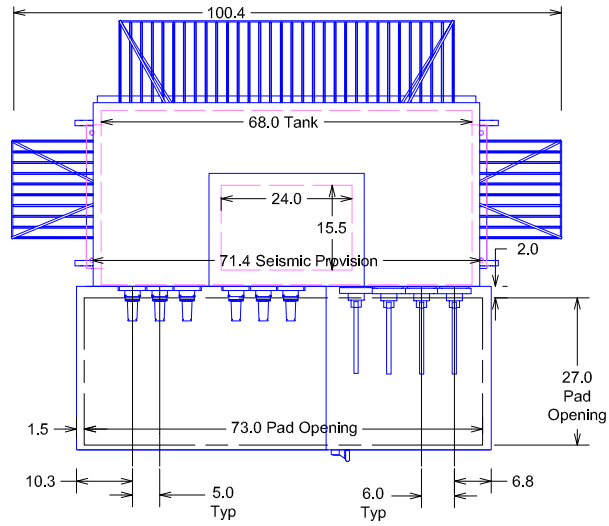
1189610A2611 REVISIONS

MATERIAL:			
ALL DIMENSIONS ARE IN INCHES [MM]		TITLE: LASER NAMEPLATE	
THE INFORMATION ON THIS DOCUMENT WAS CREATED BY EATON. IT WAS DISCLOSED IN CONFIDENCE AND IS ONLY TO BE USED FOR THE PURPOSE IN WHICH IT WAS SUPPLIED.		DESC: COOPER POWER SERIES 00023A65XXEA	
DWG: PTP	DATE: 12/1/2016	REF:	SHEET #: 1 of 1
			SCALE: 1=1
			REV: 00
<b>1189610A2611</b>			

ITE	DESCRIPTION
1	Welded Cover w/ Handhole
2	Cooling Corrugate
3	Current Limiting Backup Fuses (Internal)
4	Drain Valve with Sampler
5	Ground Pad .50-13 Tap
6	Ground Strap and Pad
7	15.0kV Elbow Arrester (boxed)
8	High Security Cabinet w/ Pentahead Door Bolts
9	35kV 200 Amp HV Bushing Well w/ 15kV Insert
10	LV Bushing Support
11	Lifting Lug
12	Liquid Temperature Gauge
13	1.2kV LV Bushing w/12 Hole Spade Supported
14	Magnetic Oil Level Gauge
15	Nameplate
16	One Inch Upper Fill Valve
17	Vacuum Fault Interrupter w/ SCADA
18	Parking Stand
19	Pressure Relief Device
20	Pressure Relief Valve
21	Pressure Vacuum Gauge
22	Schrader Valve
23	Seismic Anchor Provisions
24	Tank Base w/ Jacking and Rolling Facilities
25	Tap Changer
27	X0 Bushing

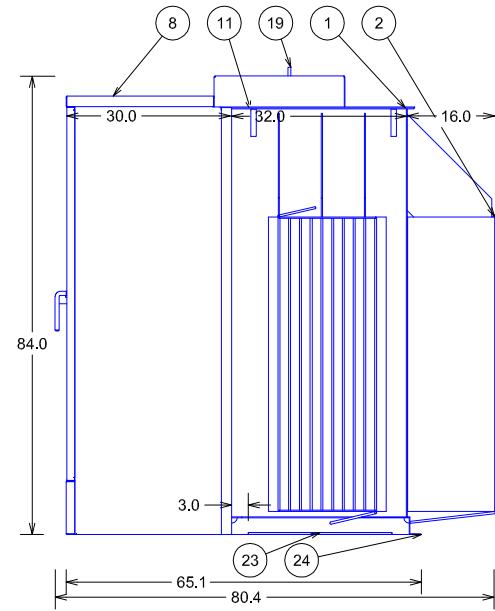
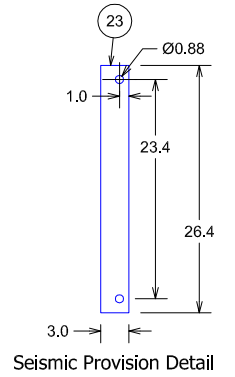
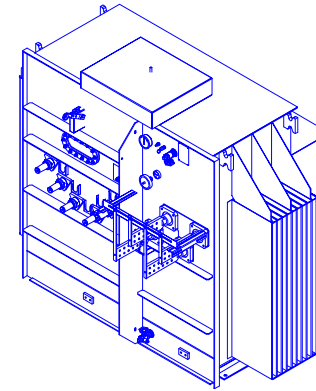
**EXTEND THE PAD 18" BEYOND EACH SIDE OF THE TRANSFORMER.**


3PH Padmount Transformer 60Hz  
 2500.0 KVA KNAN 65 AWR FR3  
 HV 12470D 95 kV BIL  
 LV 480Y/277 30 kV BIL  
 5.76 %IZ  
 Munsell Green Topcoat  
 Mild Steel Construction  
 FM Approved for Outdoor Use



Cabinet Removed

**00021A66XKFA**  
 REVISIONS



MATERIAL:		 <b>Powering Business Worldwide</b>			
ALL DIMENSIONS ARE IN INCHES [MM]					
THE INFORMATION ON THIS DOCUMENT WAS CREATED BY EATON. IT WAS DISCLOSED IN CONFIDENCE AND IS ONLY TO BE USED FOR THE PURPOSE IN WHICH IT WAS SUPPLIED.		TITLE: Distribution Transformer Outline Drawing			
		DESC: <b>COOPER POWER SERIES</b> THREE-PHASE PAD-MOUNTED COMPARTMENTAL TYPE			
DWG: PTP	DATE: 7/4/2016	REF: P3D V03R07M00	SHEET #: 1 OF 1	SCALE: 00	REV: 00
THIS DRAWING HAS BEEN GENERATED FROM A 3D MODEL.		<b>00021A66XKFA</b>			



**COOPER POWER**  
SERIES

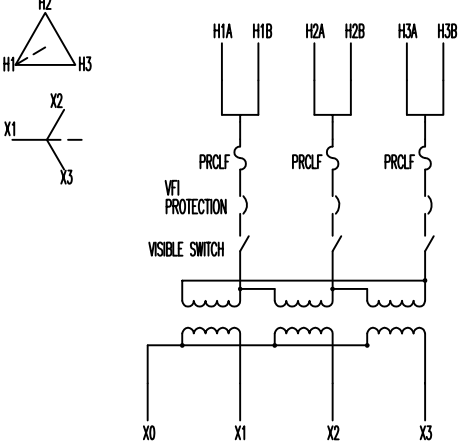
3  $\phi$  DISTRIBUTION  
TRANSFORMER ASSEMBLED  
IN WAUKESHA, WI U.S.A

KVA	2500	TEMP	65°C	FREQ	60Hz
MFG DATE		PCB	00021A66XKFA		
HT	12470	KNAN			
LT	480Y/277	5.76 %IZ @85°C	MFG DATE		
HV KV BIL	95	PCB CONTENT LESS THAN 1 PPM AT TIME OF MANUFACTURE			
HV NEUTRAL KV BIL	--	CAUTION - READ INSTRUCTION MANUAL MN202001EN			
LV KV BIL	30	VFI MAXIMUM MIN TRIP = 490 AMPS			
HV/LV CONDUCTOR	CU / CU				

APPROX. WEIGHT IN LBS.

CORE & COIL UNTANKING	6792
TANK & FIT	4146
FLUID: FR3™ GALLONS: 496	3809
<b>TOTAL</b>	<b>14747</b>

TAP	VOLTAGE	MAX AMPS
A	13090	110
B	12780	113
C	12470	116
D	12160	119
E	11850	122



MAX AMPS AT 2500 KVA  
%IZ AT BASE KVA AND RATED VOLTAGE  
DOE EFFICIENCY COMPLIANT

PRCLF = PRCLF CBUC23165D100 (2) IN PARALLEL

- NOTES:**
- 1) ACTUAL PLATE IS A NEGATIVE OF THE ABOVE DRAWING.
  - 2) ACTUAL %IZ TO BE STAMPED IN AFTER TESTING.

NAMEPLATE MATERIAL: ALUMINUM

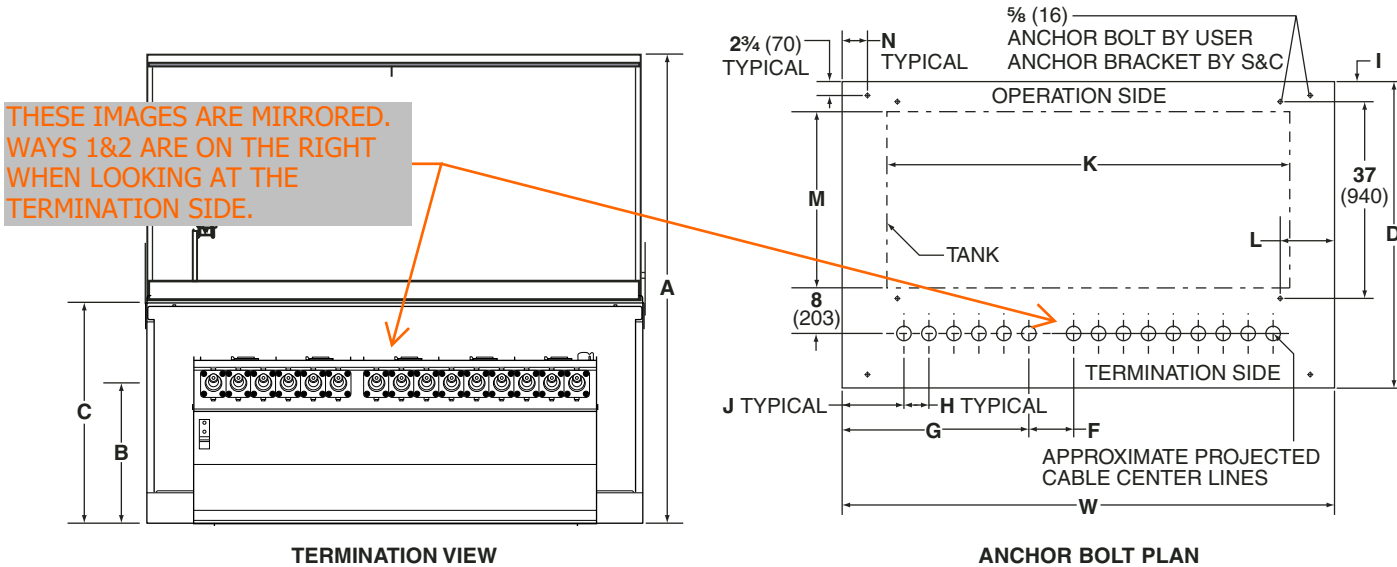
209555651,20

1189610A0752 REVISIONS

MATERIAL:		 Powering Business Worldwide	
ALL DIMENSIONS ARE IN INCHES [MM]			
THE INFORMATION ON THIS DOCUMENT WAS CREATED BY EATON. IT WAS DISCLOSED IN CONFIDENCE AND IS ONLY TO BE USED FOR THE PURPOSE IN WHICH IT WAS SUPPLIED.			
TITLE: LASER NAMEPLATE		DESC: COOPER POWER SERIES 00021A66XKFA	
DWG: PTP	DATE: 7/4/2016	REF:	SHEET #: 1 of 1   SCALE: 1=1   REV: 00
<b>1189610A0752</b>			

**Pad-Mounted Style Switchgear—Models 514, 523, 624, and 633\***  
 (Model 523, 29 kV, 12.5 kA symmetrical shown)

Dimensions in inches (mm)

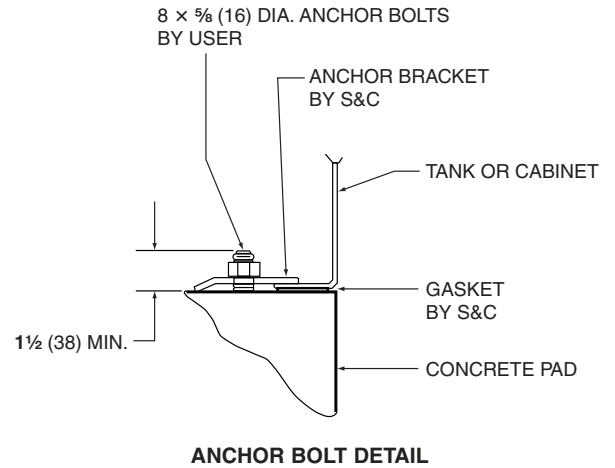
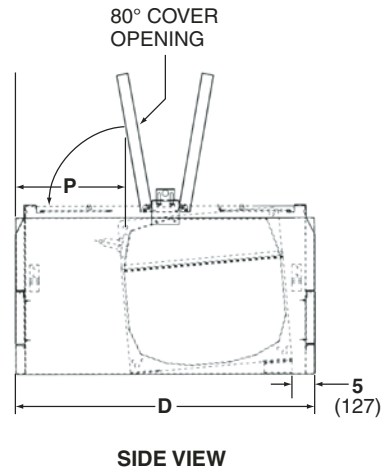


Model	Ratings		A	B	C	D	F <sup>▲</sup>	G <sup>▲</sup>	H
	kV, Max	Short-Circuit, A, RMS, Sym.							
514 523	15.5	12 500	55 (1397)	17½ (445)	29½ (749)	61 (1549)	7⅞ (194)	39⅞ (1008)	5 (127)
		25 000	65 (1651)	28 (711)	38 (965)	65 (1651)	7⅞ (194)	39⅞ (1008)	5 (127)
	29	12 500	65 (1651)	28 (711)	38 (965)	65 (1651)	7⅞ (194)	39⅞ (1008)	5 (127)
		25 000	65 (1651)	28 (711)	38 (965)	65 (1651)	NA	NA	5¾ (146)
	38	12 500	65 (1651)	28 (711)	38 (965)	65 (1651)	NA	NA	5¾ (146)
		25 000	65 (1651)	28 (711)	38 (965)	65 (1651)	NA	NA	5¾ (146)
624 633	15.5	12 500	55 (1397)	17½ (445)	29½ (749)	61 (1549)	7⅞ (194)	47⅞ (1199)	5 (127)
		25 000	65 (1651)	28 (711)	38 (965)	65 (1651)	7⅞ (194)	47⅞ (1199)	5 (127)
	29	12 500	65 (1651)	28 (711)	38 (965)	65 (1651)	7⅞ (194)	47⅞ (1199)	5 (127)
		25 000	65 (1651)	28 (711)	38 (965)	65 (1651)	NA	NA	5¾ (146)
	38	12 500	65 (1651)	28 (711)	38 (965)	65 (1651)	NA	NA	5¾ (146)
		25 000	65 (1651)	28 (711)	38 (965)	65 (1651)	NA	NA	5¾ (146)

▲ All four-, five, and six-way units rated 15.5 kV or 29 kV, 12.5 kA symmetrical include an extra 2⅝-inch (67-mm) gap between Ways Two and Three (four-way units) or between Ways Three and Four (five- and six-way units).

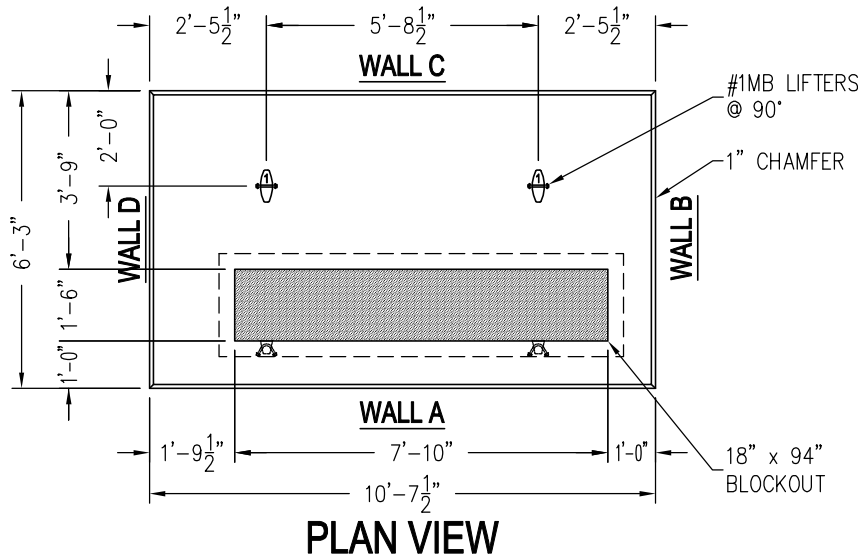
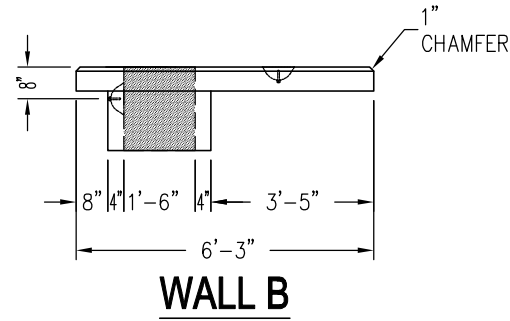
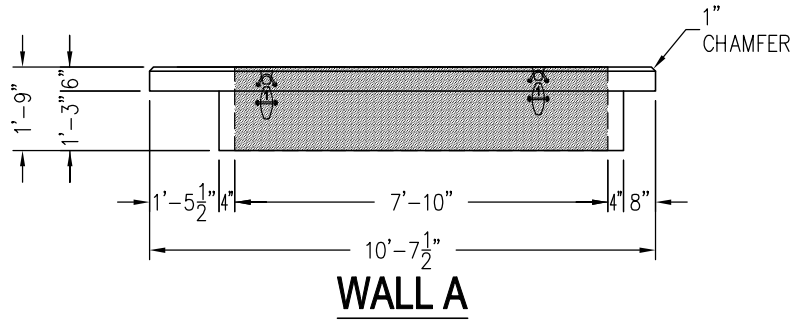
★ See pages 16 and 17 for Models 201, 210, 211, 320, 321, 330, 413, 422, 431, and 440.





Model	Ratings		I	J	K	L	M	N	P	W
	kV, Max	Short-Circuit, A, RMS, Sym.								
514 523	15.5	12 500	3 (76)	14 <sup>11</sup> / <sub>16</sub> (373)	80 <sup>7</sup> / <sub>16</sub> (2043)	14 <sup>7</sup> / <sub>8</sub> (377)	32 <sup>3</sup> / <sub>16</sub> (818)	7 <sup>1</sup> / <sub>2</sub> (191)	23 <sup>13</sup> / <sub>16</sub> (605)	102 (2591)
		25 000	4 (102)	14 <sup>11</sup> / <sub>16</sub> (373)	80 <sup>7</sup> / <sub>16</sub> (2043)	12 <sup>1</sup> / <sub>8</sub> (308)	35 (889)	7 <sup>1</sup> / <sub>2</sub> (191)	23 <sup>1</sup> / <sub>2</sub> (597)	102 (2591)
	29	12 500	4 (102)	14 <sup>11</sup> / <sub>16</sub> (373)	80 <sup>7</sup> / <sub>16</sub> (2043)	12 <sup>1</sup> / <sub>8</sub> (308)	35 (889)	7 <sup>1</sup> / <sub>2</sub> (191)	23 <sup>1</sup> / <sub>2</sub> (597)	102 (2591)
		25 000	4 (102)	16 <sup>1</sup> / <sub>4</sub> (413)	90 <sup>1</sup> / <sub>16</sub> (2288)	12 <sup>7</sup> / <sub>8</sub> (327)	35 (889)	7 <sup>1</sup> / <sub>2</sub> (191)	23 <sup>1</sup> / <sub>2</sub> (597)	113 (2870)
	38	12 500	4 (102)	16 <sup>1</sup> / <sub>4</sub> (413)	90 <sup>1</sup> / <sub>16</sub> (2288)	12 <sup>7</sup> / <sub>8</sub> (327)	35 (889)	7 <sup>1</sup> / <sub>2</sub> (191)	23 <sup>1</sup> / <sub>2</sub> (597)	113 (2870)
		25 000	4 (102)	16 <sup>1</sup> / <sub>4</sub> (413)	90 <sup>1</sup> / <sub>16</sub> (2288)	12 <sup>7</sup> / <sub>8</sub> (327)	35 (889)	7 <sup>1</sup> / <sub>2</sub> (191)	23 <sup>1</sup> / <sub>2</sub> (597)	113 (2870)
624 633	15.5	12 500	3 (76)	7 <sup>3</sup> / <sub>16</sub> (183)	95 <sup>7</sup> / <sub>16</sub> (2424)	7 <sup>3</sup> / <sub>8</sub> (187)	32 <sup>3</sup> / <sub>16</sub> (818)	10 <sup>1</sup> / <sub>2</sub> (267)	23 <sup>13</sup> / <sub>16</sub> (605)	102 (2591)
		25 000	4 (102)	7 <sup>3</sup> / <sub>16</sub> (183)	95 <sup>7</sup> / <sub>16</sub> (2424)	4 <sup>5</sup> / <sub>8</sub> (117)	35 (889)	7 <sup>1</sup> / <sub>2</sub> (191)	23 <sup>1</sup> / <sub>2</sub> (597)	102 (2591)
	29	12 500	4 (102)	7 <sup>3</sup> / <sub>16</sub> (183)	95 <sup>7</sup> / <sub>16</sub> (2424)	4 <sup>5</sup> / <sub>8</sub> (117)	35 (889)	7 <sup>1</sup> / <sub>2</sub> (191)	23 <sup>1</sup> / <sub>2</sub> (597)	102 (2591)
		25 000	4 (102)	7 <sup>5</sup> / <sub>8</sub> (194)	107 <sup>5</sup> / <sub>16</sub> (2726)	4 <sup>1</sup> / <sub>4</sub> (107)	35 (889)	7 <sup>1</sup> / <sub>2</sub> (191)	23 <sup>1</sup> / <sub>2</sub> (597)	113 (2870)
	38	12 500	4 (102)	7 <sup>5</sup> / <sub>8</sub> (194)	107 <sup>5</sup> / <sub>16</sub> (2726)	4 <sup>1</sup> / <sub>4</sub> (107)	35 (889)	7 <sup>1</sup> / <sub>2</sub> (191)	23 <sup>1</sup> / <sub>2</sub> (597)	113 (2870)
		25 000	4 (102)	7 <sup>5</sup> / <sub>8</sub> (194)	107 <sup>5</sup> / <sub>16</sub> (2726)	4 <sup>1</sup> / <sub>4</sub> (107)	35 (889)	7 <sup>1</sup> / <sub>2</sub> (191)	23 <sup>1</sup> / <sub>2</sub> (597)	113 (2870)

THIS PAD DETAILS IS FOR S&C VISTA 624 5-6 WAY SWITCHGEARS. ANYTHING OTHER THAN THIS NEEDS TO BE ENGINEERED.



## DESIGN NOTES

- 1) ALL CONCRETE TO HAVE 28 DAY COMPRESSIVE STRENGTH OF 6,000 PSI
- 2) CEMENT: TYPE I/II/III
- 3) STEEL REINFORCEMENT: REBAR, ASTM A-615 GRADE 60
- 4) DESIGN LOADINGS:
  - A. ASSUME 2,000 LBS. EQUIPMENT LOAD
  - B. SOIL WEIGHT WET: 120 Pcf.
  - C. EQUIVALENT SOIL FLUID PRESSURE: DRY SOIL = 40 Pcf. SATURATED SOIL = 80 Pcf.
  - D. LATERAL LIVE LOAD SURCHARGE (FROM GRADE TO 8.0 FT.): 80 Psf.
  - E. SOIL COVER: MIN. = 0 FT. MAX. = 0 FT.
  - F. ASSUMED WATER TABLE AT DEPTH OF: 3 FT.

## BILL OF MATERIALS

QTY	DESCRIPTION/TYPE
4	#1 MB LIFTERS @ 90°
-	-
-	-
-	-
-	-
-	-
-	-
-	-
-	-
-	-
-	-
-	-
-	-
-	-
-	-
-	-
-	-
-	-
-	-
-	-
-	-
-	-
-	-

## PRODUCT WEIGHTS/YD.<sup>3</sup>

ROOF SLAB	-#	-yd <sup>3</sup>
TOP	-#	-yd <sup>3</sup>
EXTENSION1	-#	-yd <sup>3</sup>
EXTENSION2	-#	-yd <sup>3</sup>
BOTTOM	-#	-yd <sup>3</sup>
FLOOR SLAB	-#	-yd <sup>3</sup>
TOTALS:	5,331#	1.316yd <sup>3</sup>

**25 KV DF DEAD FRONT SWITCHGEAR PAD**  
**6'-3" x 10'-7 1/2" x 0'-6"**  
**OSU S&C VISTA 624 5-6 WAY**  
**STANDARD**

CONTROL# C.N.	PROJECT# P.N.
DRAWN BY: SR	ORDER# S.N.
DATE: 10/01/16	SOLD BY: S.P.
REVISIONS: -	SCALE: 1/4" = 1'
CHECKED BY:	DATE:
DWG NAME: -	PAGE 1 OF 2

THIS DOCUMENT IS THE PROPERTY OF OLDCASTLE PRECAST, INC. IT IS CONFIDENTIAL, SUBMITTED FOR REFERENCE PURPOSES ONLY, AND SHALL NOT BE USED IN ANY WAY INJURIOUS TO THE INTEREST OF, OR WITHOUT THE COPYRIGHT © 2012 OLDCASTLE PRECAST, INC. ALL RIGHTS RESERVED.

**Oldcastle** Precast, Inc.

1100 HERITAGE PKWY.  
MANSFIELD, TX 76063

PHONE: (817) 453-1054  
FAX: (817) 453-4007

ITEM SPECIAL