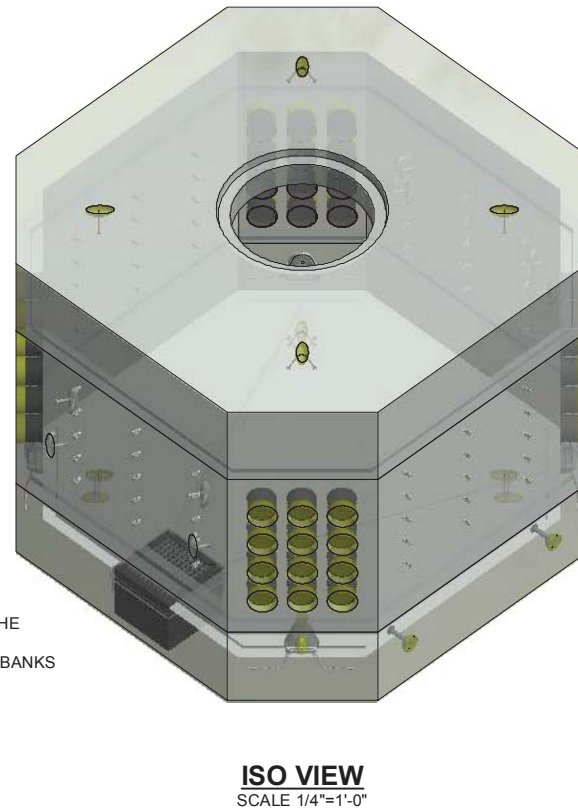
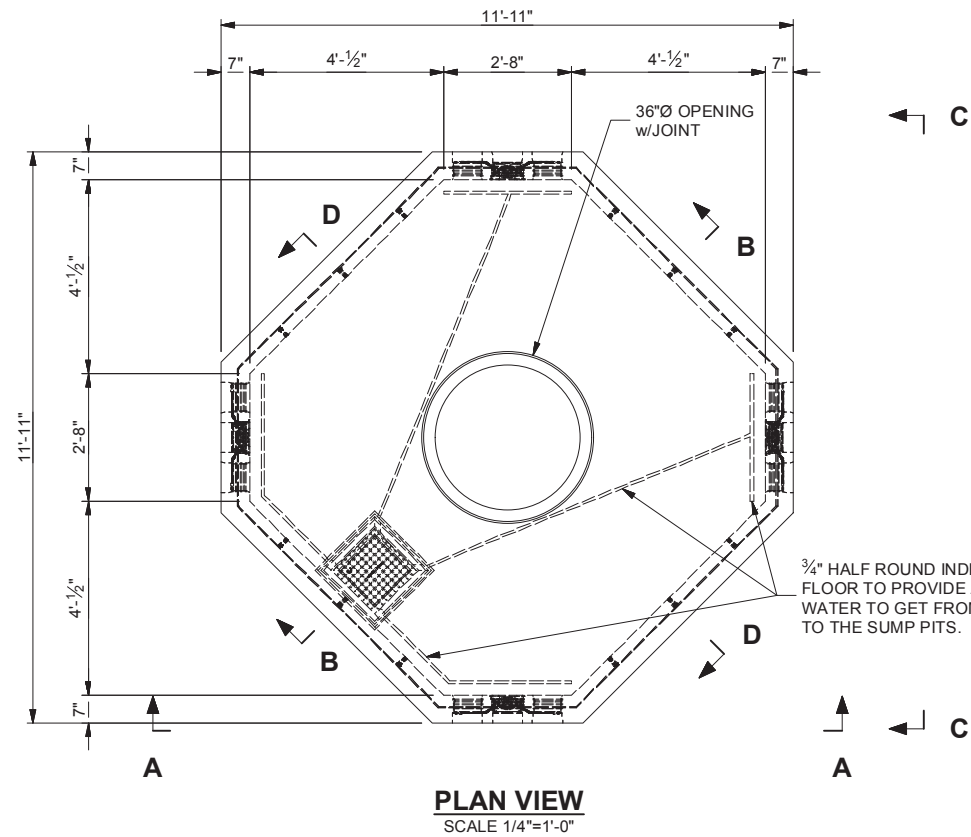


APPENDIX I

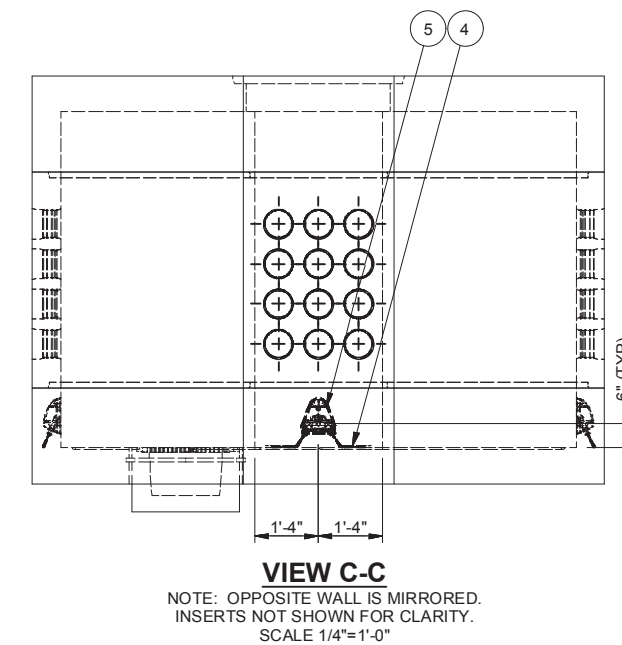
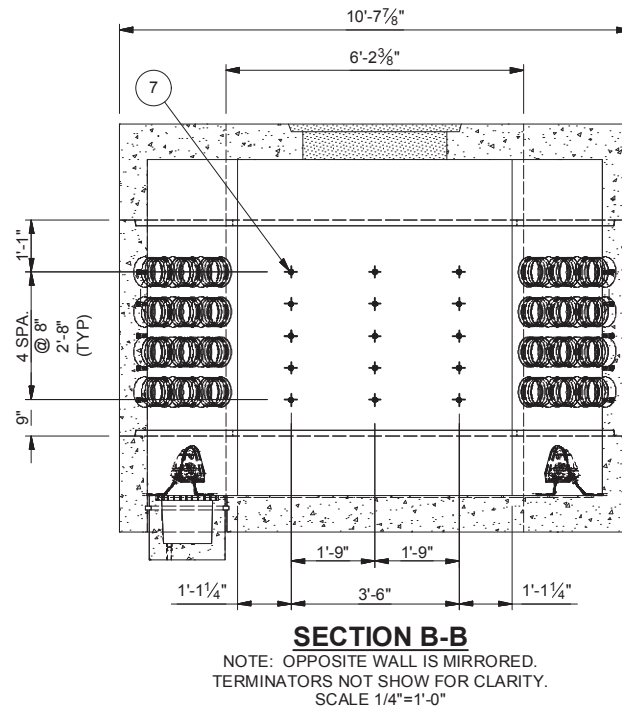
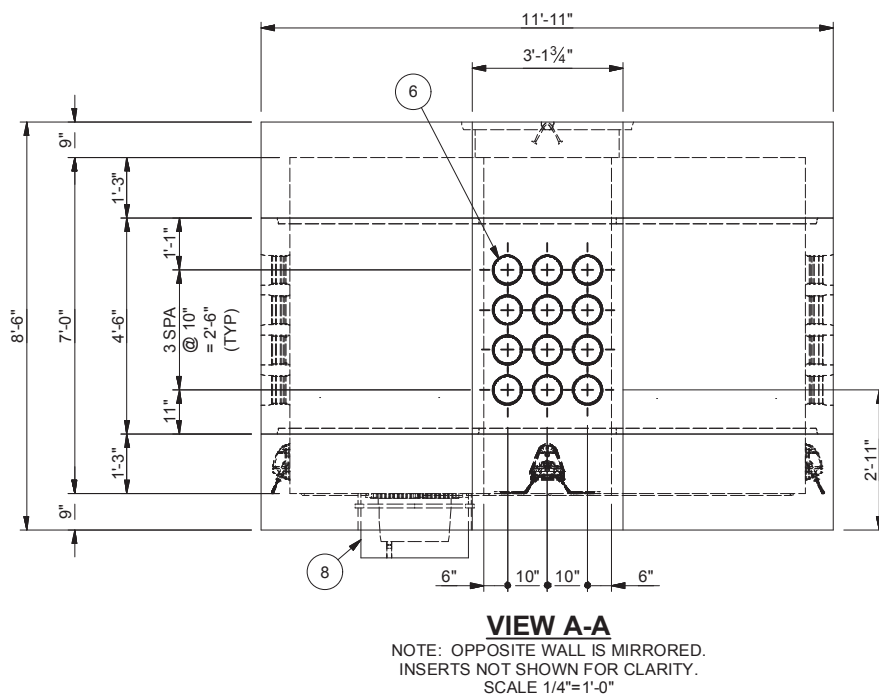
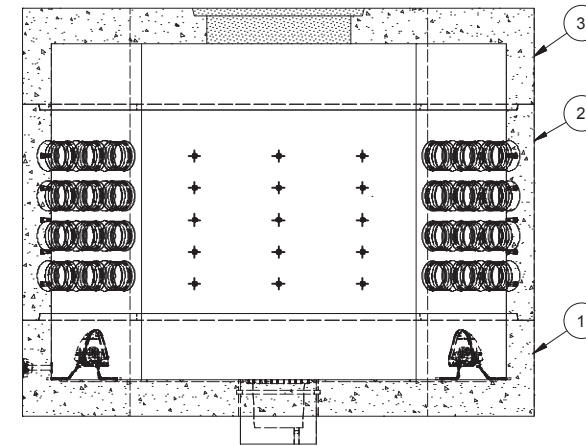
Underground Electrical Vault





BASIS OF DESIGN

- DESIGN NOTES:**
- 1) ALL CONCRETE TO HAVE 28 DAYS COMPRESSIVE STRENGTH OF 6,000 PSI
 - 2) CEMENT: TYPE I/II/III
 - 3) STEEL REINFORCEMENT: REBAR, ASTM A-615 GRADE 60
 - 4) DESIGN LOADINGS:
 - A. AXLE LOAD: HS-20 w/IMPACT
 - B. WHEEL LOAD: 16 KIPS
 - C. SOIL WEIGHT WET: 120 PCF.
 - D. EQUIVALENT SOIL FLUID PRESSURE: DRY SOIL = 40 PCF. SATURATED SOIL = 80 PCF.
 - E. LATERAL LIVE LOAD SURCHARGE (FROM GRADE TO 8.0 FT.): 80 PSF.
 - F. SOIL COVER: MIN. = 1 FT. MAX. = 15 FT.
 - G. ASSUMED WATER TABLE AT DEPTH OF: 10 FT



BOM			
P/N	QTY	DESCRIPTION	AX NUMBER
1	3.80	BOTTOM - CONCRETE MIX 6,000 PSI TY I/II/III SCC	8900200
2	3.26	CENTER OG&E - CONCRETE MIX 6,000 PSI TY I/II/III SCC	8900200
3	3.66	TOP - CONCRETE MIX 6,000 PSI TY I/II/III SCC	8900200
4	4	PULL IRON - PLASTIC COATED	8504800
5	4	PULL IRON - PLASTIC POCKET	8504750
6	48	TERMINATOR - 6" BPI	8509000
7	60	INSERT - 1/2" DIA THRD PLASTIC	OPC
8	1	OSU MANHOLE SUMP BASIN	1201290

WEIGHTS		
DESCRIPTION	WEIGHT (LBS)	cu.yd.
BOTTOM	15375	3.796
CENTER OG&E	13188	3.256
TOP	14840	3.664
OSU MANHOLE SUMP BASIN	328	0.081

Oldcastle Precast®
 1100 Heritage Pkwy, Mansfield, TX 76063
 (817) 453-1054 Ph# (817) 453-4017 Fax#

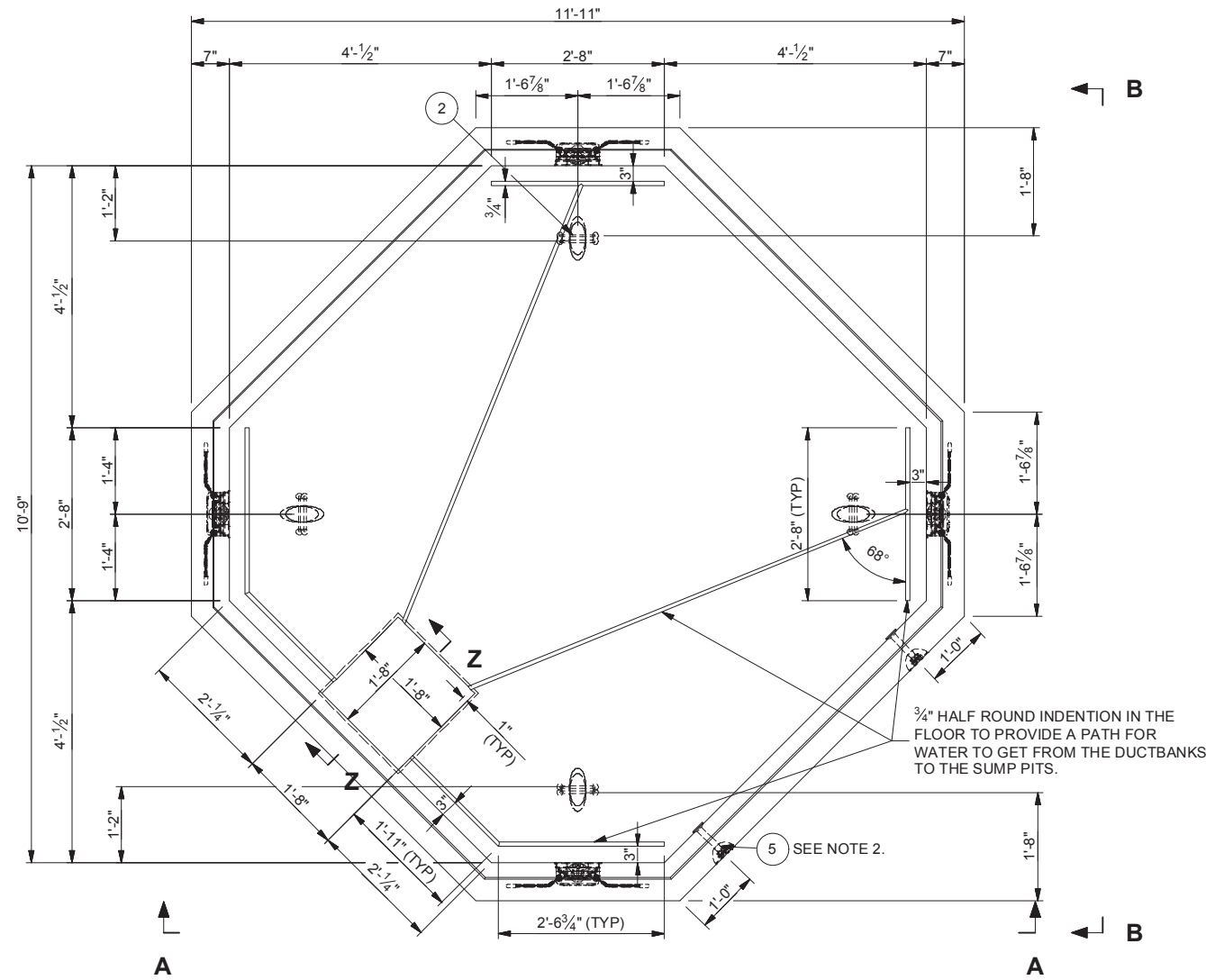
THIS DOCUMENT IS THE PROPERTY OF OLDCASTLE PRECAST, INC. IT IS CONFIDENTIAL, SUBMITTED FOR REFERENCE PURPOSES ONLY, AND SHALL NOT BE USED IN ANY WAY INJURIOUS TO THE INTERESTS OF, OR WITHOUT THE WRITTEN PERMISSION OF OLDCASTLE PRECAST, INC. COPYRIGHT ©2016 OLDCASTLE PRECAST, INC. ALL RIGHTS RESERVED

**4-WAY OCTAGONAL MANHOLE
 3-PIECE OSU**
 10'-9" x 10'-9" x 7'-0"

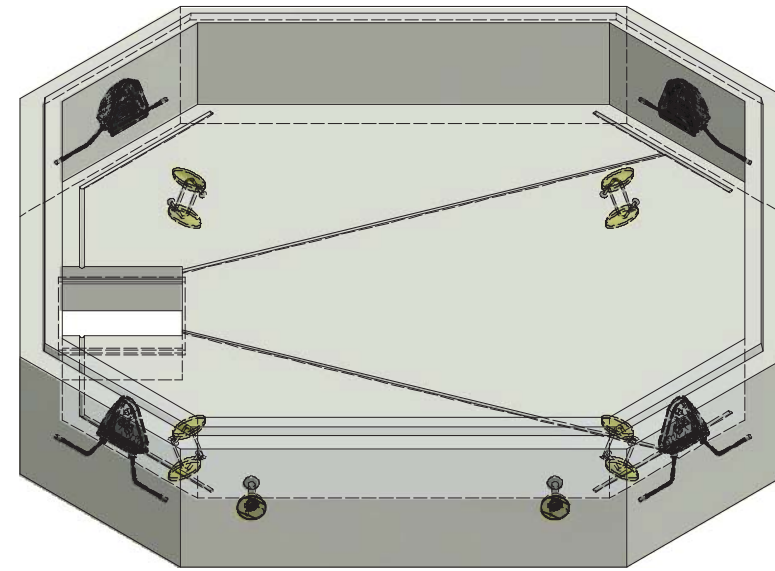
CUSTOMER

DATE 6/27/2018	SALES	DRAWN GIM	ENGINEER HM	CHECKED	SALES ORDER
DRAWING NUMBER 4-WAY OCT MH STD_3-PCS_OSU.idw				REVISION DATE	SHEET 1 OF 1

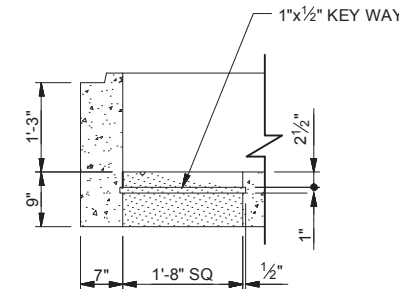
TOP ITEM# 1005260, CENTER OG&E ITEM# 1005225, BTM ITEM# 1005250, SUMP ITEM# 1201290



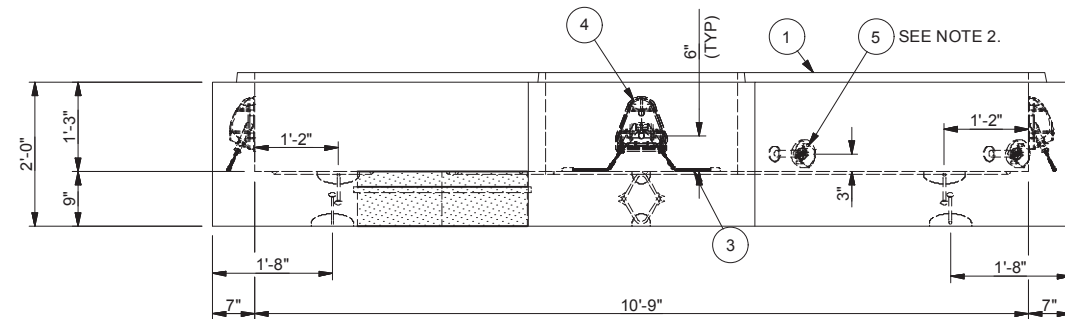
PLAN VIEW
SCALE 3/8"=1'-0"



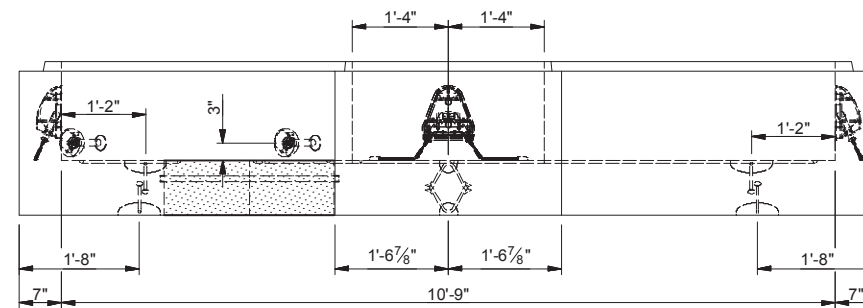
ISO VIEW
SCALE 3/8"=1'-0"



SECTION Z-Z
SCALE 3/8"=1'-0"



VIEW A-A
NOTET: OPPOSITE WALL IS MIRRORED.
SCALE 3/8"=1'-0"



VIEW B-B
NOTE: OPPOSITE WALL IS MIRRORED.
SCALE 3/8"=1'-0"

NOTES:

1. LIFTERS TO BE GROUDED BY OTHERS.
2. 8 TON x 6 3/4" ANCHOR LOCATED WHERE SHOWN ONLY.
3. NO GROUND ROD SLEEVE

DESIGN NOTES:

- 1) ALL CONCRETE TO HAVE 28 DAYS COMPRESSIVE STRENGTH OF 6,000 PSI
- 2) CEMENT: TYPE I/II/III
- 3) STEEL REINFORCEMENT: REBAR, ASTM A-615 GRADE 60
- 4) DESIGN LOADINGS:
 - A. AXLE LOAD: HS-20 w/IMPACT
 - B. WHEEL LOAD: 16 KIPS
 - C. SOIL WEIGHT WET: 120 PCF.
 - D. EQUIVALENT SOIL FLUID PRESSURE: DRY SOIL = 40 PCF. SATURATED SOIL = 80 PCF.
 - E. LATERAL LIVE LOAD SURCHARGE (FROM GRADE TO 8.0 FT.): 80 PSF.
 - F. SOIL COVER: MIN. = 1 FT. MAX. = 15 FT.
 - G. ASSUMED WATER TABLE AT DEPTH OF: 10 FT

BOM

P/N	QTY	DESCRIPTION	AX NUMBER
1	3.80	BOTTOM - CONCRETE MIX 6,000 PSI TY I/II/III SCC	8900200
2	8	ANCHOR - 4 TON UA 8671, UA #5	8100650
3	4	PULL IRON - PLASTIC COATED	8504800
4	4	PULL IRON - PLASTIC POCKET	8504750
5	2	ANCHOR - 8 TON x 6 3/4" SC-52	8501700

WEIGHTS

DESCRIPTION	WEIGHT (LBS)	cu.yd.
BOTTOM	15375	3.796



THIS DOCUMENT IS THE PROPERTY OF OLDCASTLE PRECAST, INC. IT IS CONFIDENTIAL, SUBMITTED FOR REFERENCE PURPOSES ONLY, AND SHALL NOT BE USED IN ANY WAY INJURIOUS TO THE INTERESTS OF, OR WITHOUT THE WRITTEN PERMISSION OF OLDCASTLE PRECAST, INC. COPYRIGHT ©2016 OLDCASTLE PRECAST, INC. ALL RIGHTS RESERVED.

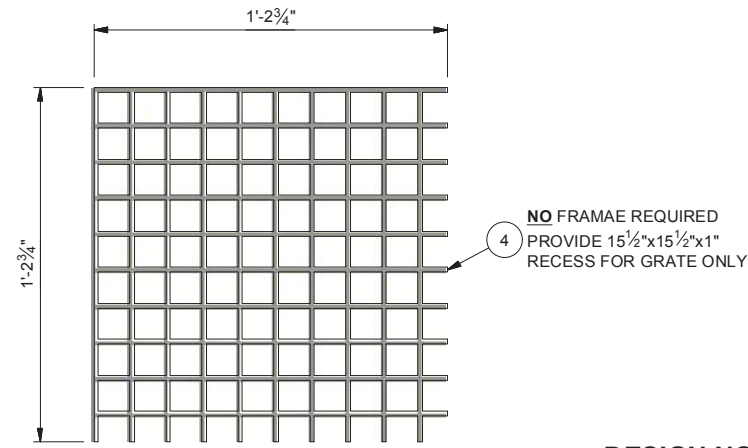
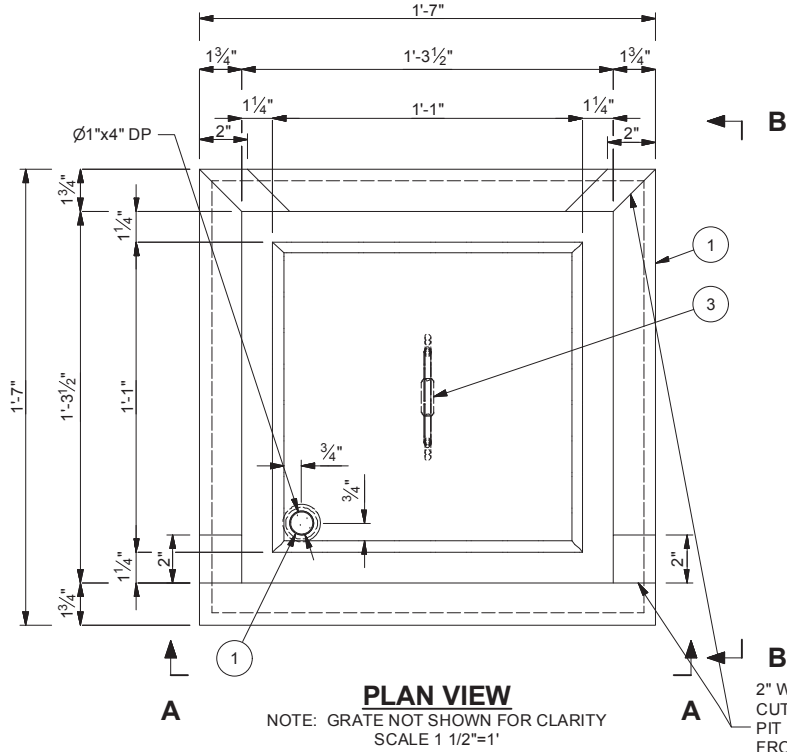
PA 914 10'9"x10'9"x15" BOTTOM OSU

10'-9" x 10'-9" x 1'-3"

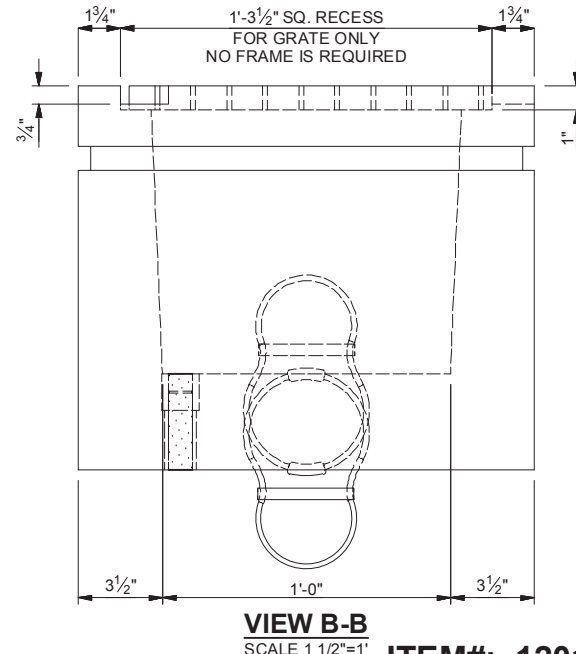
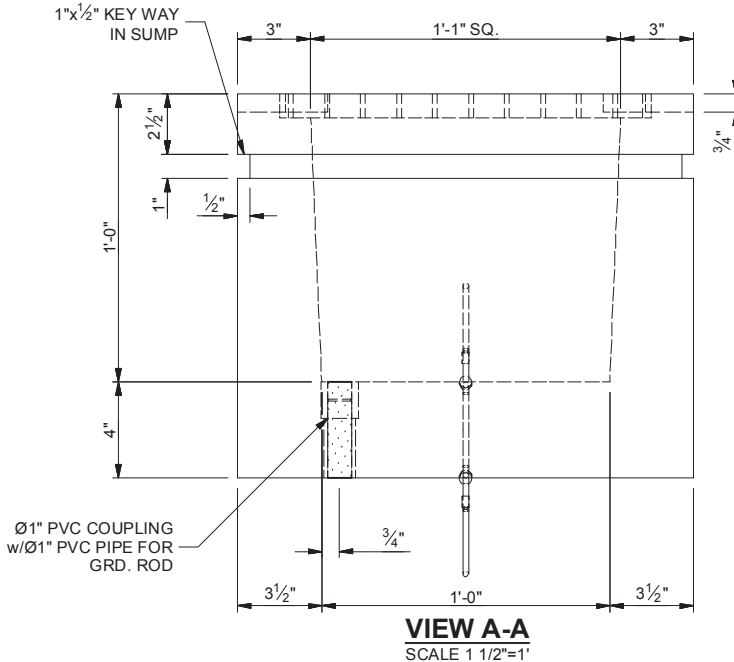
CUSTOMER

DATE	SALES	DRAWN	ENGINEER	CHECKED	SALES ORDER
6/27/2018		GIM	HM		
DRAWING NUMBER		REVISION		SHEET	
PA 914_10-9x10-9x15_BT_M_1005250.idw		DATE		1 OF 2	

ITEM# 1005250



B
2" WIDE x 3/4" DEEP GROVE
CUT INTO THE LIP OF THE SUMP
PIT FOR WATER DRAINAGE
FROM THE DUCTBANKS
(BOTH SIDES)



DESIGN NOTES

- 1) ALL CONCRETE TO HAVE 28 DAYS COMPRESSIVE STRENGTH OF 6,000 PSI
- 2) CEMENT: TYPE I/II/III
- 3) STEEL REINFORCEMENT: REBAR, ASTM A-615 GRADE 60

BOM

P/N	QTY	DESCRIPTION	AX NUMBER
1	0.08	SUMP BASIN - CONCRETE MIX 6,000 PSI TY I/II/III SCC	8900200
2	1	1" PVC CPL & 1" PVC PIPE	OPC
3	2	ANCHOR - .8 TON LIFT LOOP	8102950
4	1	GRATE - 14-3/4"x14-3/4"x1" NON-METALLIC (PEDESTRIAN RATED)	7200830

WEIGHTS

DESCRIPTION	WEIGHT (LBS)	cu.yd.
SUMP BASIN	328	.081



THIS DOCUMENT IS THE PROPERTY OF OLDCASTLE PRECAST, INC. IT IS CONFIDENTIAL, SUBMITTED FOR REFERENCE PURPOSES ONLY, AND SHALL NOT BE USED IN ANY WAY INJURIOUS TO THE INTERESTS OF, OR WITHOUT THE WRITTEN PERMISSION OF OLDCASTLE PRECAST, INC. COPYRIGHT ©2017 OLDCASTLE PRECAST, INC. ALL RIGHTS RESERVED

OSU MANHOLE SUMP BASIN

Standard
1'-1" x 1'-1" x 1'-0"

CUSTOMER

DATE	SALES	DRAWN	ENGINEER	CHECKED	SALES ORDER
6/27/2018		GIM	HM		

DRAWING NUMBER	REVISION	SHEET
13x13x12_OSU_MH_SUMP BASIN_1201290.idw	DATE	1 OF 2

ITEM#: 1201290