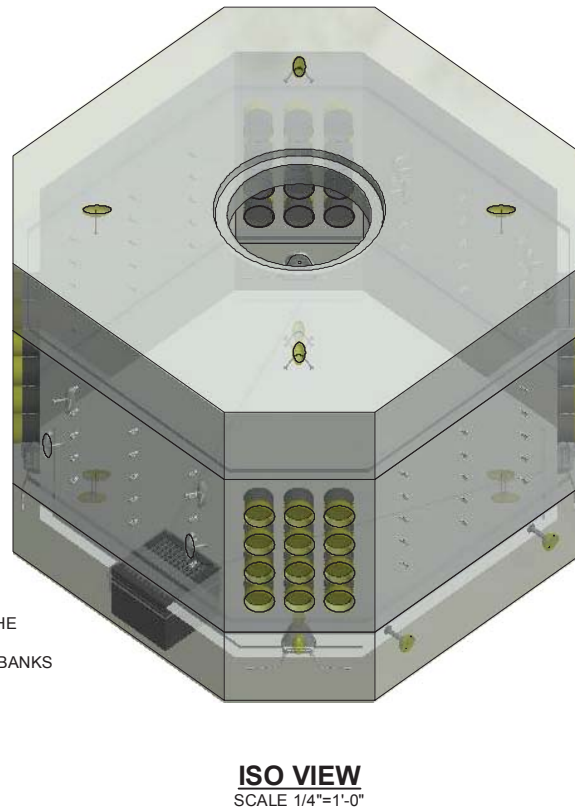
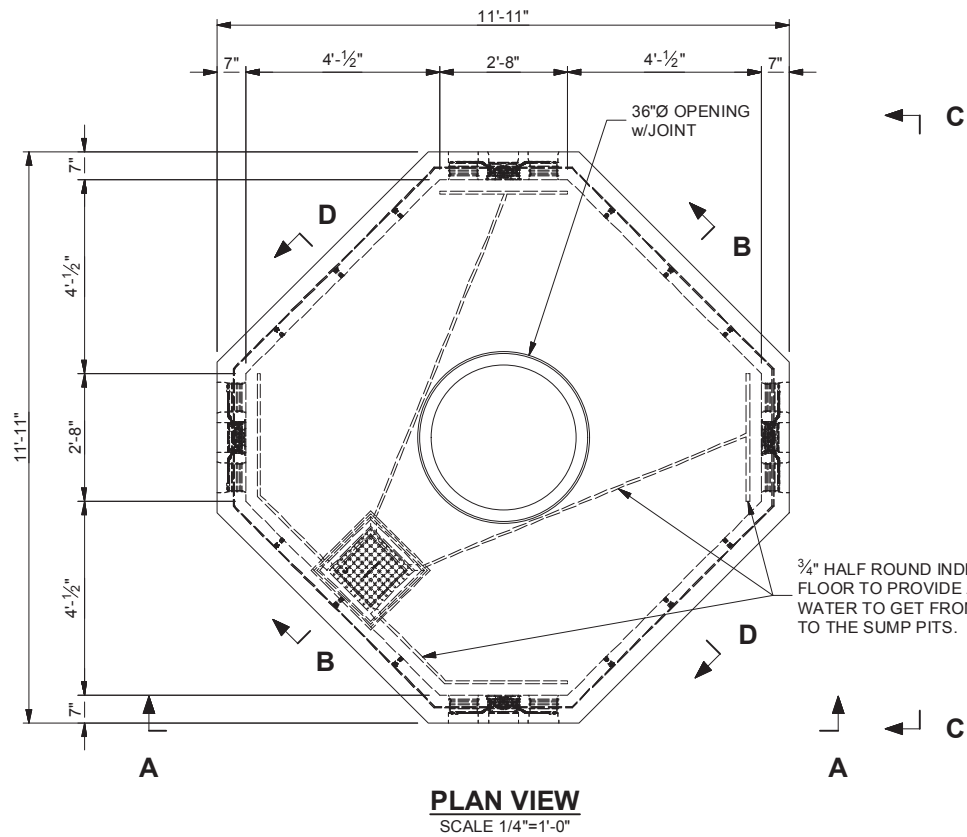


# APPENDIX I

## Underground Electrical Vault



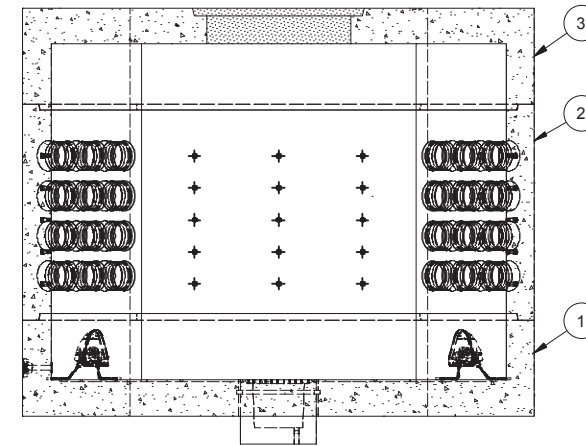
Last Updated 2/5/2019



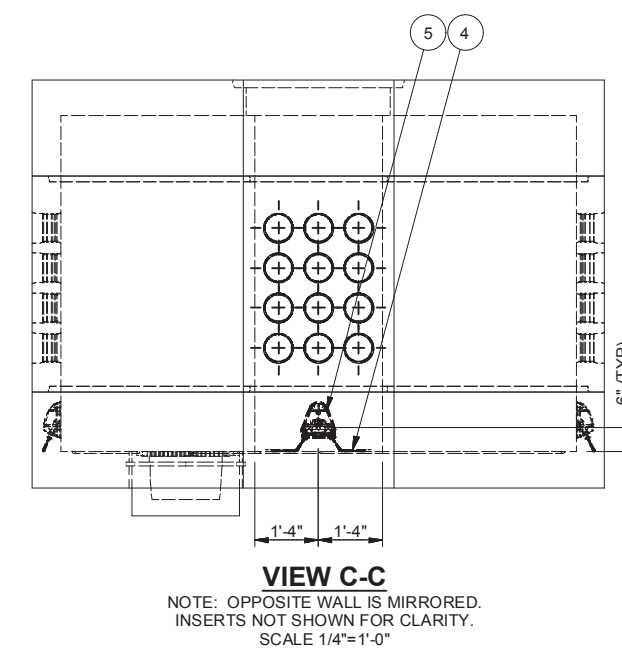
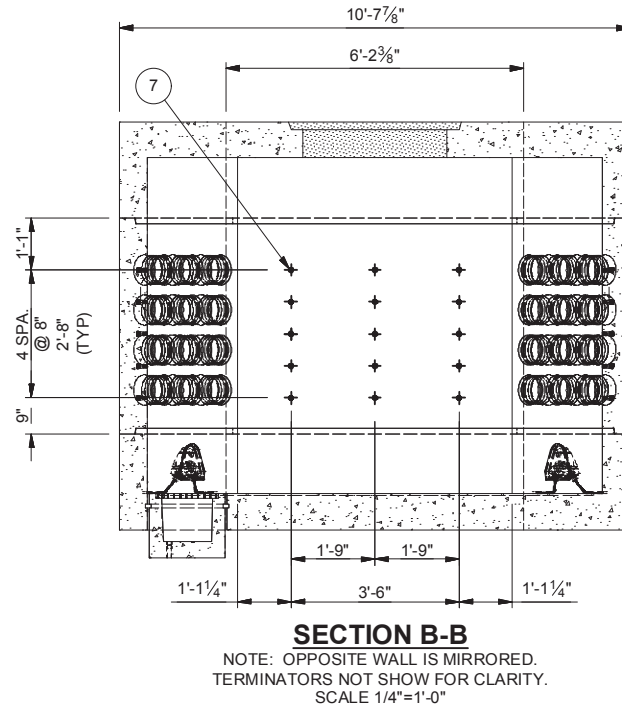
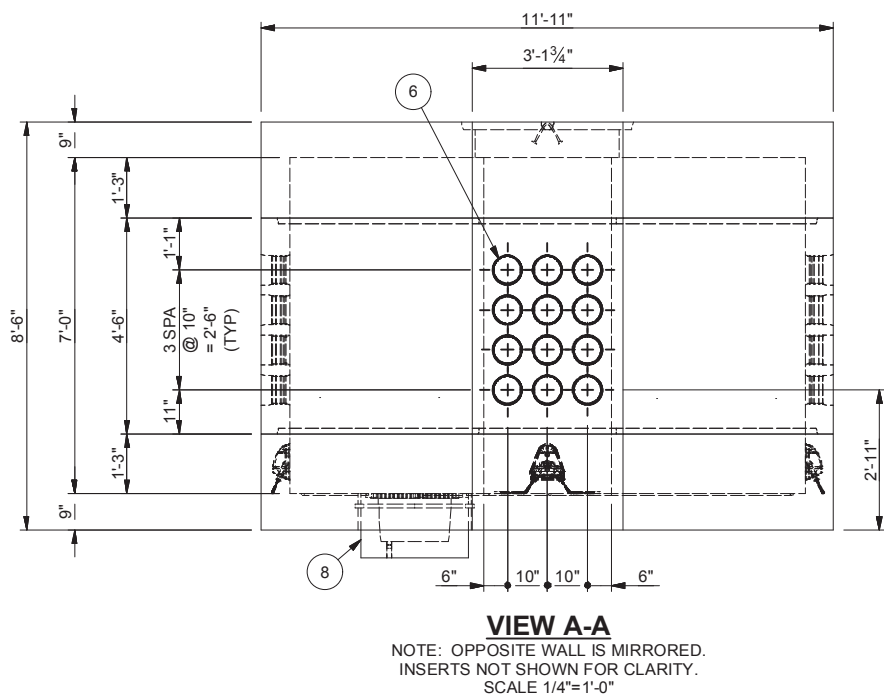
# BASIS OF DESIGN

**DESIGN NOTES:**

- 1) ALL CONCRETE TO HAVE 28 DAYS COMPRESSIVE STRENGTH OF 6,000 PSI
- 2) CEMENT: TYPE I/II/III
- 3) STEEL REINFORCEMENT: REBAR, ASTM A-615 GRADE 60
- 4) DESIGN LOADINGS:
  - A. AXLE LOAD: HS-20 w/IMPACT
  - B. WHEEL LOAD: 16 KIPS
  - C. SOIL WEIGHT WET: 120 PCF.
  - D. EQUIVALENT SOIL FLUID PRESSURE: DRY SOIL = 40 PCF. SATURATED SOIL = 80 PCF.
  - E. LATERAL LIVE LOAD SURCHARGE (FROM GRADE TO 8.0 FT.): 80 PSF.
  - F. SOIL COVER: MIN. = 1 FT. MAX. = 15 FT.
  - G. ASSUMED WATER TABLE AT DEPTH OF: 10 FT



**SECTION D-D**  
NOTE: OPPOSITE WALL IS MIRRORED. TERMINATORS NOT SHOWN FOR CLARITY. SCALE 1/4"=1'-0"



BOM			
P/N	QTY	DESCRIPTION	AX NUMBER
1	3.80	BOTTOM - CONCRETE MIX 6,000 PSI TY I/II/III SCC	8900200
2	3.26	CENTER OG&E - CONCRETE MIX 6,000 PSI TY I/II/III SCC	8900200
3	3.66	TOP - CONCRETE MIX 6,000 PSI TY I/II/III SCC	8900200
4	4	PULL IRON - PLASTIC COATED	8504800
5	4	PULL IRON - PLASTIC POCKET	8504750
6	48	TERMINATOR - 6" BPI	8509000
7	60	INSERT - 1/2" DIA THRD PLASTIC	OPC
8	1	OSU MANHOLE SUMP BASIN	1201290

WEIGHTS		
DESCRIPTION	WEIGHT (LBS)	cu.yd.
BOTTOM	15375	3.796
CENTER OG&E	13188	3.256
TOP	14840	3.664
OSU MANHOLE SUMP BASIN	328	0.081

**Oldcastle Precast**  
 1100 Heritage Pkwy, Mansfield, TX 76063  
 (817) 453-1054 Ph# (817) 453-4017 Fax#

THIS DOCUMENT IS THE PROPERTY OF OLDCASTLE PRECAST, INC. IT IS CONFIDENTIAL, SUBMITTED FOR REFERENCE PURPOSES ONLY, AND SHALL NOT BE USED IN ANY WAY INJURIOUS TO THE INTERESTS OF, OR WITHOUT THE WRITTEN PERMISSION OF OLDCASTLE PRECAST, INC. COPYRIGHT ©2016 OLDCASTLE PRECAST, INC. ALL RIGHTS RESERVED

**4-WAY OCTAGONAL MANHOLE 3-PIECE OSU**  
 10'-9" x 10'-9" x 7'-0"

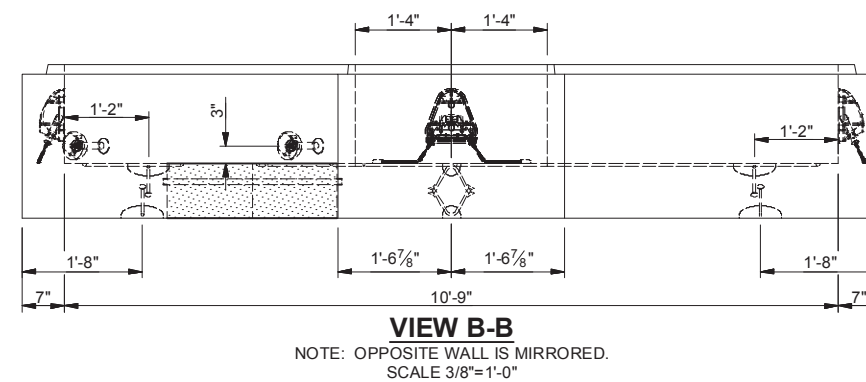
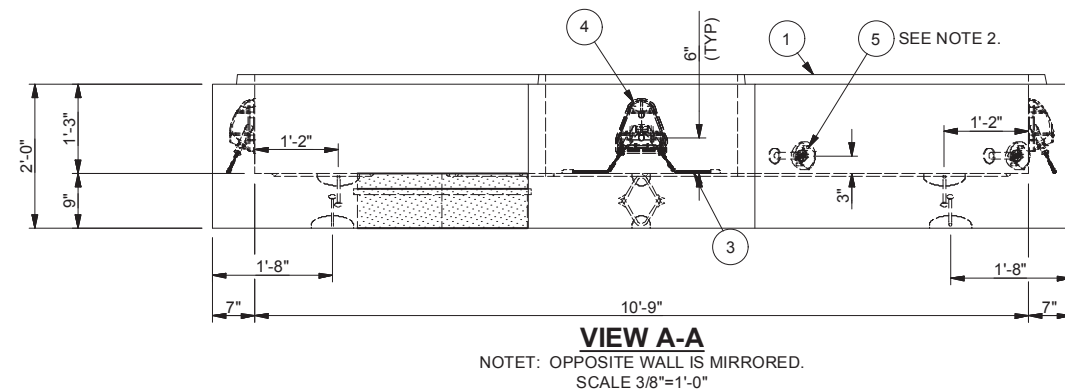
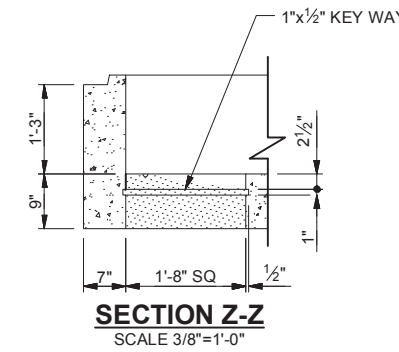
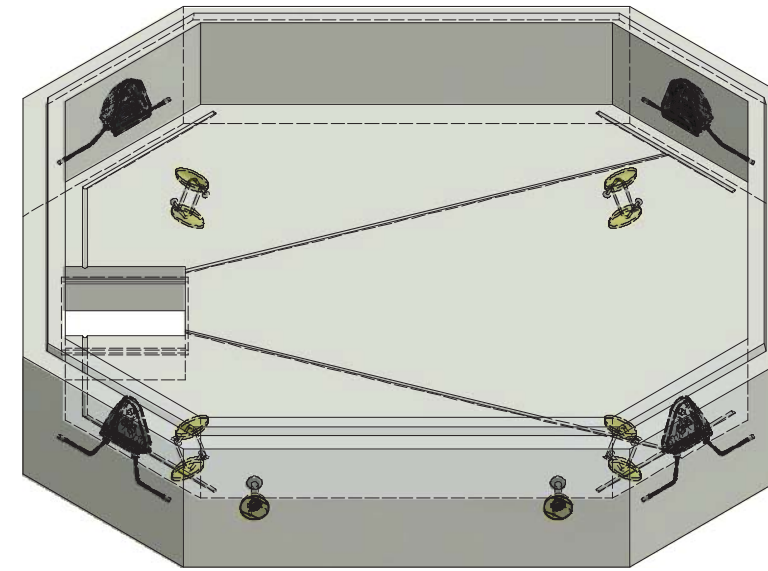
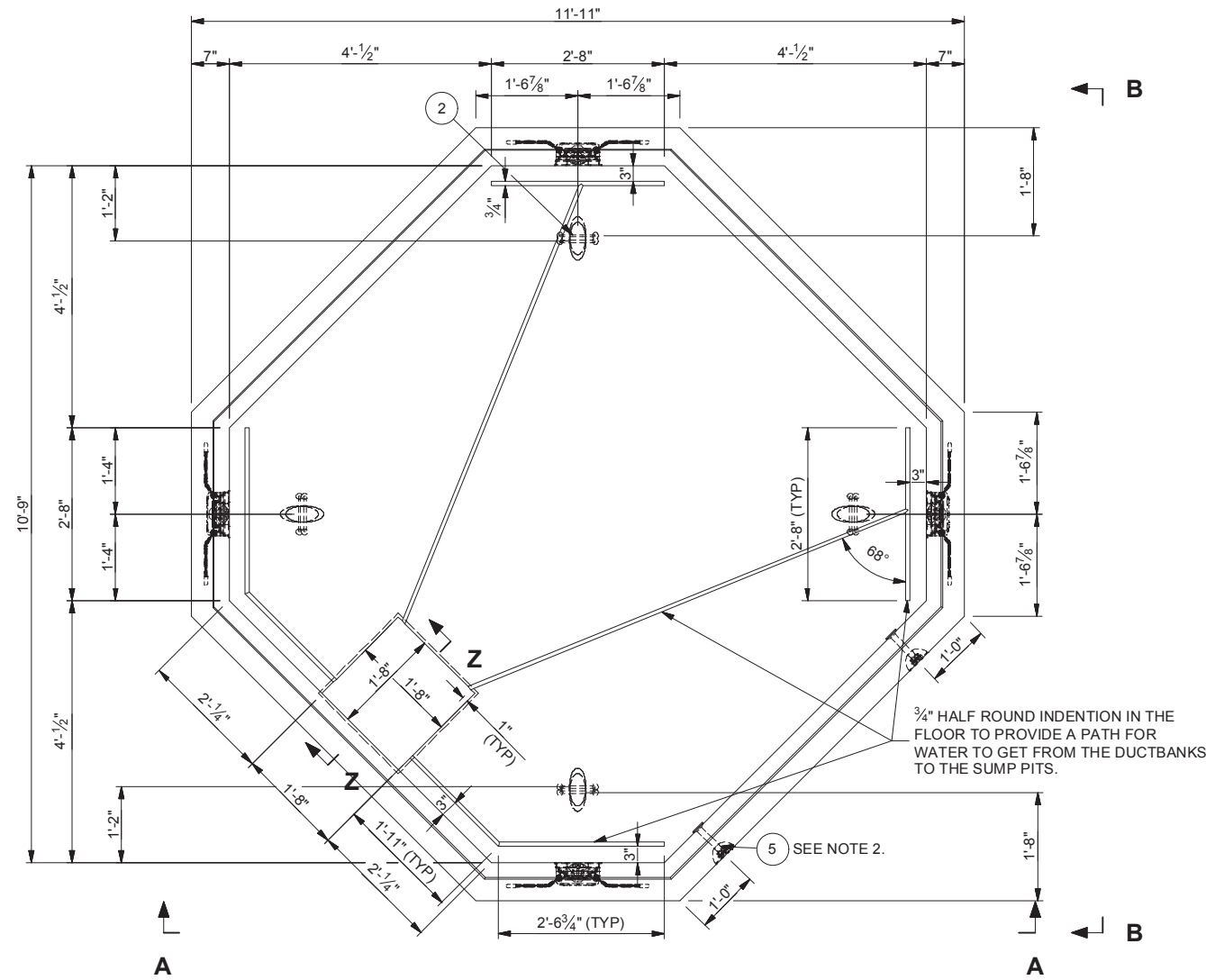
CUSTOMER

DATE	SALES	DRAWN	ENGINEER	CHECKED	SALES ORDER
6/27/2018		GIM	HM		

DRAWING NUMBER: 4-WAY OCT MH STD\_3-PCS\_OSU.idw

REVISION	SHEET
DATE	1 OF 1

TOP ITEM# 1005260, CENTER OG&E ITEM# 1005225, BTM ITEM# 1005250, SUMP ITEM# 1201290



**NOTES:**

- LIFTERS TO BE GROUTED BY OTHERS.
- 8 TON x 6 3/4" ANCHOR LOCATED WHERE SHOWN ONLY.
- NO GROUND ROD SLEEVE

**DESIGN NOTES:**

- ALL CONCRETE TO HAVE 28 DAYS COMPRESSIVE STRENGTH OF 6,000 PSI
- CEMENT: TYPE I/II/III
- STEEL REINFORCEMENT: REBAR, ASTM A-615 GRADE 60
- DESIGN LOADINGS:
  - A. AXLE LOAD: HS-20 w/IMPACT
  - B. WHEEL LOAD: 16 KIPS
  - C. SOIL WEIGHT WET: 120 PCF.
  - D. EQUIVALENT SOIL FLUID PRESSURE: DRY SOIL = 40 PCF. SATURATED SOIL = 80 PCF.
  - E. LATERAL LIVE LOAD SURCHARGE (FROM GRADE TO 8.0 FT.): 80 PSF.
  - F. SOIL COVER: MIN. = 1 FT. MAX. = 15 FT.
  - G. ASSUMED WATER TABLE AT DEPTH OF: 10 FT

BOM			
P/N	QTY	DESCRIPTION	AX NUMBER
1	3.80	BOTTOM - CONCRETE MIX 6,000 PSI TY I/II/III SCC	8900200
2	8	ANCHOR - 4 TON UA 8671, UA #5	8100650
3	4	PULL IRON - PLASTIC COATED	8504800
4	4	PULL IRON - PLASTIC POCKET	8504750
5	2	ANCHOR - 8 TON x 6 3/4" SC-52	8501700

WEIGHTS		
DESCRIPTION	WEIGHT (LBS)	cu.yd.
BOTTOM	15375	3.796

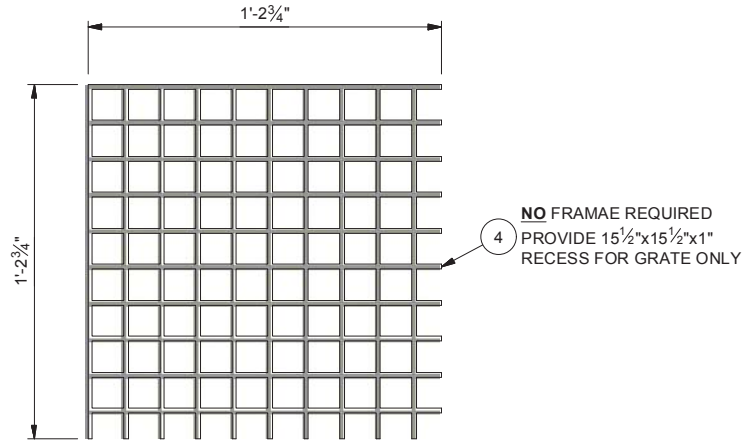
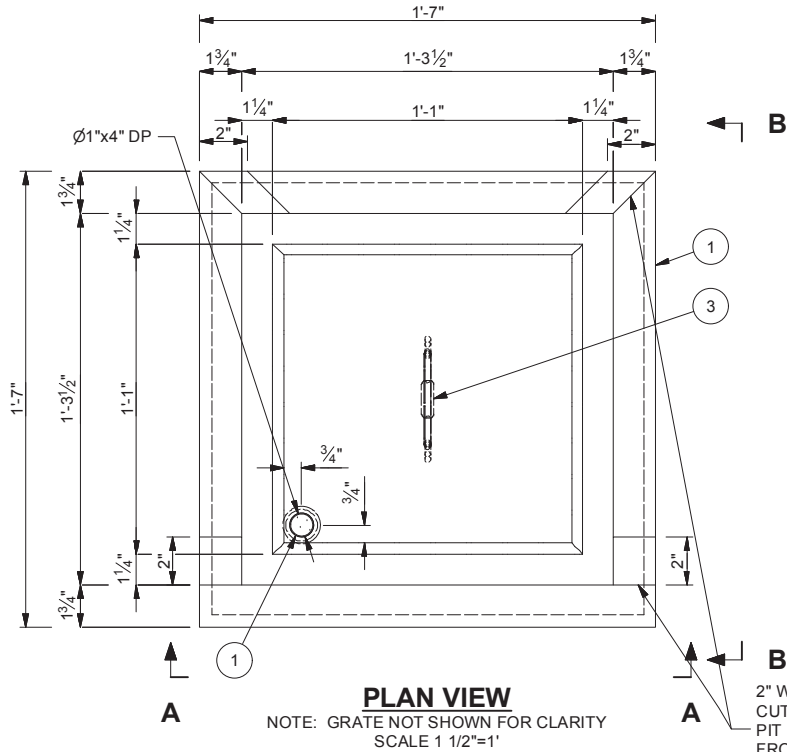


THIS DOCUMENT IS THE PROPERTY OF OLDCASTLE PRECAST, INC. IT IS CONFIDENTIAL, SUBMITTED FOR REFERENCE PURPOSES ONLY, AND SHALL NOT BE USED IN ANY WAY INJURIOUS TO THE INTERESTS OF, OR WITHOUT THE WRITTEN PERMISSION OF OLDCASTLE PRECAST, INC. COPYRIGHT ©2016 OLDCASTLE PRECAST, INC. ALL RIGHTS RESERVED

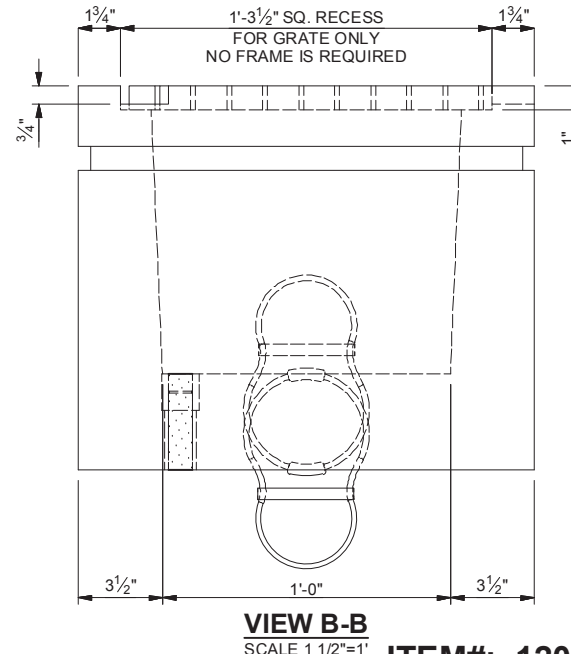
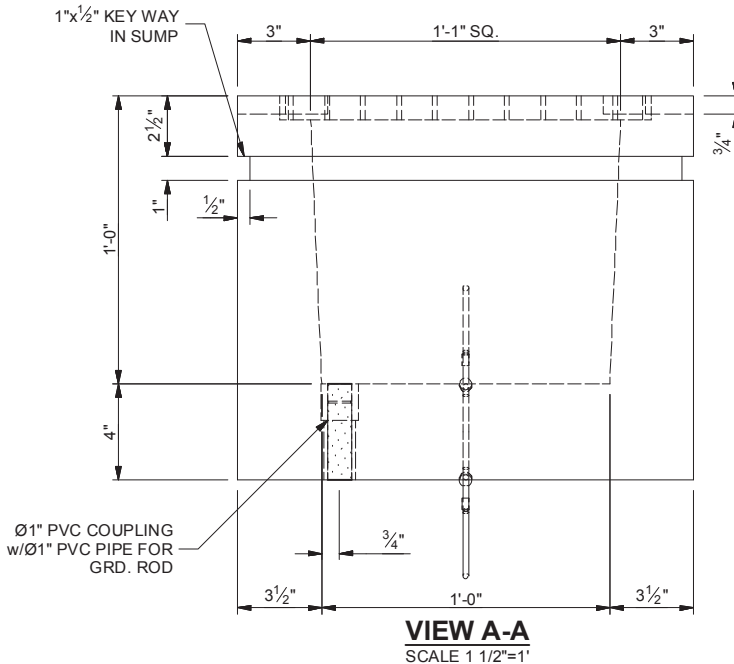
**PA 914 10'9"x10'9"x15" BOTTOM OSU**

CUSTOMER					
DATE	SALES	DRAWN	ENGINEER	CHECKED	SALES ORDER
6/27/2018		GIM	HM		
DRAWING NUMBER				REVISION	SHEET
PA				DATE	1 OF 2
914_10-9x10-9x15_BT.M_1005250.idw					

**ITEM# 1005250**



**B**  
2" WIDE x 3/4" DEEP GROVE  
CUT INTO THE LIP OF THE SUMP  
PIT FOR WATER DRAINAGE  
FROM THE DUCTBANKS  
(BOTH SIDES)



**DESIGN NOTES**

- 1) ALL CONCRETE TO HAVE 28 DAYS COMPRESSIVE STRENGTH OF 6,000 PSI
- 2) CEMENT: TYPE I/II/III
- 3) STEEL REINFORCEMENT: REBAR, ASTM A-615 GRADE 60

**BOM**

P/N	QTY	DESCRIPTION	AX NUMBER
1	0.08	SUMP BASIN - CONCRETE MIX 6,000 PSI TY I/II/III SCC	8900200
2	1	1" PVC CPL & 1" PVC PIPE	OPC
3	2	ANCHOR - 8 TON LIFT LOOP	8102950
4	1	GRATE - 14-3/4"x14-3/4"x1" NON-METALLIC (PEDESTRIAN RATED)	7200830

**WEIGHTS**

DESCRIPTION	WEIGHT (LBS)	cu.yd.
SUMP BASIN	328	.081



THIS DOCUMENT IS THE PROPERTY OF OLDCASTLE PRECAST, INC. IT IS CONFIDENTIAL, SUBMITTED FOR REFERENCE PURPOSES ONLY, AND SHALL NOT BE USED IN ANY WAY INJURIOUS TO THE INTERESTS OF, OR WITHOUT THE WRITTEN PERMISSION OF OLDCASTLE PRECAST, INC. COPYRIGHT ©2017 OLDCASTLE PRECAST, INC. ALL RIGHTS RESERVED

**OSU MANHOLE SUMP BASIN**

Standard  
1'-1" x 1'-1" x 1'-0"

CUSTOMER

DATE	SALES	DRAWN	ENGINEER	CHECKED	SALES ORDER
6/27/2018		GIM	HM		

DRAWING NUMBER	REVISION	SHEET
13x13x12_OSU_MH_SUMP BASIN_1201290.idw	DATE	1 OF 2

**ITEM#: 1201290**