

# APPENDIX H

## Lighting Basis of Design Details



Last Updated 6/10/2024

## DESCRIPTION

The SkyRidge™ transforms ambient lighting by perfectly blending a refined modern styling with our breakthrough WaveStream™ LED technology to deliver exceptional performance and superior energy savings. SkyRidge's advanced engineered LED system with superior optical design delivers an unparalleled combination of optimal light uniformity and exceptional efficiency for greater energy savings.

SkyRidge is compatible with all of today's popular ceiling systems and available in a variety of configurations for application versatility. Its perfect balance of form and function make it an ideal choice for commercial office spaces, schools, hospitals, retail and other indoor ambient applications.

## SPECIFICATION FEATURES

### Construction

Shallow 4.75" deep housing is extruded aluminum frame and injected molded composite end plates. End plates are securely attached with screws for strength and rigidity and the elimination of gaps. End plates have accessory grid-lock feature for safety and convenience. Four auxiliary fixture end suspension points are provided. Large access plate for supply connection.

### Controls

The SkyRidge LED is Powered by Fifth Light, with a standard 0-10V continuous dimming driver that works with any 0-10V control/dimmer. Combine with energy saving products like occupancy sensors, daylighting controls and lighting relay panels to maximize energy savings. In addition, the SkyRidge can include a factory-installed integrated sensor system for occupancy and daylight dimming control and manual control from an optional handheld remote. Or, specify the Digital Addressable Lighting Interface (DALI) drivers, dimmable down to 1% with the HD option, for use with Fifth Light controls. See ordering information for details on all three options.

### Electrical

Long-life LED system coupled with electrical driver to deliver optimal performance. LED's available in 3000K, 3500K, 4000K or 5000K with a minimum CRI of 80. Projected life is 100,000 hours at 92% lumen output. Electronic drivers are available for 120-277V applications.

### Emergency Battery Pack Option

Optional 120V-277V integral emergency battery pack is available in 7-watts or 14-watts to meet critical life-safety lighting requirements. The 90-minute batteries provide constant power to the LED system, ensuring code-compliance. A test switch/indicator button can be tested safely from the ground using a laser pointer, while the patented EZ Key prevents accidental discharge of the battery during construction. See ordering information for details.

### Driver Access

Drivers can be accessed via plenum.

### Finish

Durable frame has high reflectance baked matte white enamel finish for luminous uniformity.

Catalog #		Type	
Project		Date	
Comments			
Prepared by			

### Optics

Precision formed optical assembly with positively retained high optical grade acrylic lens provides a directed optical distribution using WaveStream LED technology.

### SkyTrim Accessory

Designed for an array of interior applications, SkyTrim is a luminous decorative accent that can be mounted directly on the light guide of a SkyRidge fixture either at the factory or in the field. It is ideal for spaces where color is necessary to provide visual cues, emphasize brand identity, directional awareness or simply as an artistic expression.

### Compliance

Components are UL recognized. Indoor luminaires are cULus listed for 25° C ambient environments, RoHS compliant, and comply with IESNA LM-79. LEDs comply with LM-80 standards. DesignLights Consortium® Qualified and classified for DLC Standard, refer to [www.designlights.org](http://www.designlights.org) for details.

### Warranty

Five year warranty.



**24SR  
LED**

**2' X 4' TROFFER  
LED MODULE**

Specification Grade Troffer



## CERTIFICATION DATA

cULus - 1598 and 2043\*\*  
 Damp Location Listed  
 IC Rated  
 LM79/LM80 Compliant  
 ROHS Compliant  
 DesignLights Consortium® Qualified  
 NOM Compliant

\*See Drywall Frame Kit Accessory in Ordering Information section.

\*\*Fixture construction is suitable for use in Air-handling and plenum rated spaces in accordance with Section 300.22 (C) of the National Electrical Code, Section 4.3.11.2.6.5 of NFPA 90A and Section 602.2.1.4 of ICC.

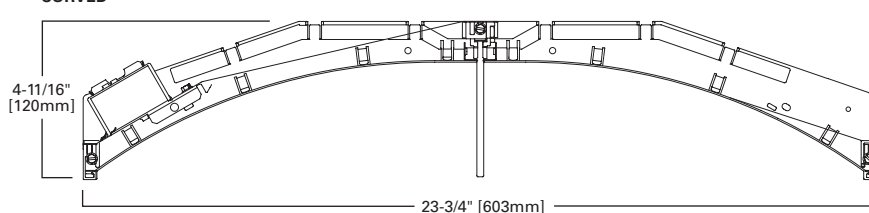
## LINEAR DISCONNECT

Safe and convenient means of disconnecting power

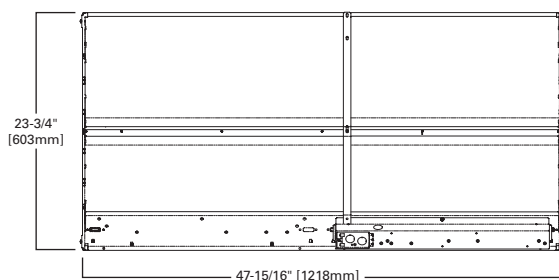


PS519067EN  
11-27-2017

### CURVED

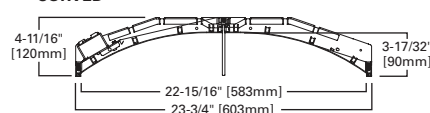


## MOUNTING DATA

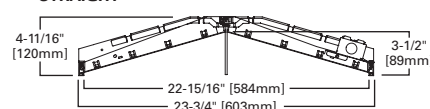


## LAMP CONFIGURATIONS

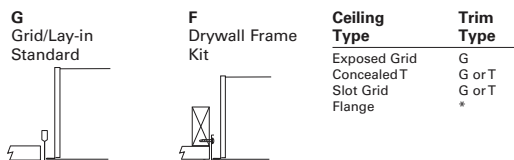
### CURVED



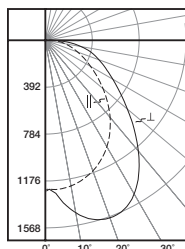
### STRAIGHT



**CEILING COMPATIBILITY**



**PHOTOMETRICS**



**24SR-LD2-39-C-UNV-L835-CD1-U**  
Electronic Driver  
Linear LED 3500K  
Spacing criterion: (||) 1.18 x mounting height, (⊥) 1.52 x mounting height  
Lumens: 4197  
Input Watts: 31.9W  
Efficacy: 131.6 lm/W  
Test Report: 24SR-LD2-39-C-UNV-L835-CD1-U. IES

**Candlepower**

Angle	Along	45°	Across ⊥
0	1244	1244	1244
5	1244	1310	1365
10	1223	1396	1485
15	1184	1445	1552
20	1134	1452	1568
25	1066	1418	1534
30	985	1346	1443
35	887	1240	1309
40	784	1112	1148
45	672	979	986
50	560	850	830
55	459	737	700
60	370	638	592
65	292	549	505
70	225	464	424
75	165	381	348
80	112	294	247
85	59	172	135
90	0	0	0

**Coefficients of Utilization**

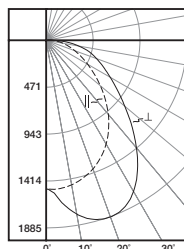
rc rw RCR	Effective floor cavity reflectance																																															
	80%								70%								50%								30%								10%								0%							
	70	50	30	10	70	50	30	10	50	30	10	50	30	10	50	30	10	50	30	10	50	30	10	50	30	10																						
0	119	119	119	119	116	116	116	116	111	111	111	106	106	106	102	102	102	100	100	100	100	100	100	100	100	100																						
1	108	103	98	94	105	101	96	93	96	93	90	92	89	87	89	86	84	82	82	82	82	82	82	82	82	82																						
2	98	89	82	76	95	87	81	75	84	78	74	81	76	72	78	74	70	68	68	68	68	68	68	68	68	68																						
3	89	78	70	63	87	77	69	63	74	67	62	71	65	61	68	64	60	57	57	57	57	57	57	57	57	57																						
4	82	70	61	54	79	68	60	53	66	58	53	63	57	52	61	56	51	49	49	49	49	49	49	49	49	49																						
5	75	62	53	46	73	61	53	46	59	51	46	57	50	45	55	49	45	42	42	42	42	42	42	42	42	42																						
6	70	56	47	41	68	55	47	40	53	46	40	52	45	40	50	44	39	37	37	37	37	37	37	37	37	37																						
7	65	51	42	36	63	50	42	36	49	41	35	47	40	35	46	40	35	33	33	33	33	33	33	33	33	33																						
8	60	46	38	32	59	46	38	32	44	37	32	43	36	32	42	36	31	29	29	29	29	29	29	29	29	29																						
9	56	43	34	29	55	42	34	29	41	34	29	40	33	28	39	33	28	26	26	26	26	26	26	26	26	26																						
10	53	39	31	26	51	39	31	26	38	31	26	37	30	26	36	30	26	24	24	24	24	24	24	24	24	24																						

**Zonal Lumen Summary**

Zone	Lumens	% Fixture
0-30	1159	27.6
0-40	1900	45.3
0-60	3212	76.5
0-90	4197	100.0
0-180	4197	100.0

**Luminance Data**

Angle in Deg	Average 0-Deg cd/sm	Average 45-Deg cd/sm	Average 90-Deg cd/sm
45	1456	2121	2136
55	1225	1967	1868
65	1060	1990	1828
75	975	2256	2061
85	1033	3023	2367



**24SR-LD2-48-C-UNV-L835-CD1-U**  
Electronic Driver  
Linear LED 3500K  
Spacing criterion: (||) 1.18 x mounting height, (⊥) 1.52 x mounting height  
Lumens: 5045  
Input Watts: 38.2W  
Efficacy: 132.1 lm/W  
Test Report: 24SR-LD2-48-C-UNV-L835-CD1-U. IES

**Candlepower**

Angle	Along	45°	Across ⊥
0	1496	1496	1496
5	1496	1575	1640
10	1470	1678	1785
15	1423	1737	1866
20	1363	1746	1885
25	1282	1704	1844
30	1184	1618	1735
35	1067	1491	1573
40	943	1337	1380
45	808	1177	1186
50	674	1022	998
55	551	886	841
60	445	767	712
65	352	660	607
70	271	558	510
75	198	458	419
80	134	353	296
85	71	207	162
90	0	0	0

**Coefficients of Utilization**

rc rw RCR	Effective floor cavity reflectance																																															
	80%								70%								50%								30%								10%								0%							
	70	50	30	10	70	50	30	10	50	30	10	50	30	10	50	30	10	50	30	10	50	30	10	50	30	10																						
0	119	119	119	119	116	116	116	116	111	111	111	106	106	106	102	102	102	100	100	100	100	100	100	100	100	100																						
1	108	103	98	94	105	101	96	93	96	93	90	92	89	87	89	86	84	82	82	82	82	82	82	82	82	82																						
2	98	89	82	76	95	87	81	75	84	78	74	81	76	72	78	74	70	68	68	68	68	68	68	68	68	68																						
3	89	78	70	63	87	77	69	63	74	67	62	71	65	61	68	64	60	57	57	57	57	57	57	57	57	57																						
4	82	70	61	54	79	68	60	53	66	58	53	63	57	52	61	56	51	49	49	49	49	49	49	49	49	49																						
5	75	62	53	46	73	61	53	46	59	51	46	57	50	45	55	49	45	42	42	42	42	42	42	42	42	42																						
6	70	56	47	41	68	55	47	40	53	46	40	52	45	40	50	44	39	37	37	37	37	37	37	37	37	37																						
7	65	51	42	36	63	50	42	36	49	41	35	47	40	35	46	40	35	33	33	33	33	33	33	33	33	33																						
8	60	46	38	32	59	46	38	32	44	37	32	43	36	32	42	36	31	29	29	29	29	29	29	29	29	29																						
9	56	43	34	29	55	42	34	29	41	34	29	40	33	28	39	33	28	26	26	26	26	26	26	26	26	26																						
10	53	39	31	26	51	39	31	26	38	31	26	37	30	26	36	30	26	24	24	24	24	24	24	24	24	24																						

**Zonal Lumen Summary**

Zone	Lumens	% Fixture
0-30	1194	27.6
0-40	2284	45.3
0-60	3861	76.5
0-90	5045	100.0
0-180	5045	100.0

**Luminance Data**

Angle in Deg	Average 0-Deg cd/sm	Average 45-Deg cd/sm	Average 90-Deg cd/sm
45	1750	2549	2568
55	1472	2365	2245
65	1274	2392	2198
75	1173	2713	2478
85	1241	3634	2847

## ENERGY AND PERFORMANCE DATA BY CATALOG NUMBER

Stock or MTO*	Catalog Logic (Curved)	Delivered Lumens	Watts	Efficacy (LPW)
MTO	24SR-LD2-29-C-UNV-L830-CD1-U	2982	22.7	131
MTO	24SR-LD2-29-C-UNV-L835-CD1-U	3074	22.7	135
MTO	24SR-LD2-29-C-UNV-L840-CD1-U	3136	22.7	138
MTO	24SR-LD2-29-C-UNV-L850-CD1-U	3413	22.7	150
MTO	24SR-LD2-34-C-UNV-L830-CD1-U	3528	27.2	130
MTO	24SR-LD2-34-C-UNV-L835-CD1-U	3637	27.2	134
MTO	24SR-LD2-34-C-UNV-L840-CD1-U	3710	27.2	136
MTO	24SR-LD2-34-C-UNV-L850-CD1-U	4037	27.2	148
MTO	24SR-LD2-39-C-UNV-L830-CD1-U	4071	31.9	128
Stock	24SR-LD2-39-C-UNV-L835-CD1-U	4197	31.9	132
Stock	24SR-LD2-39-C-UNV-L840-CD1-U	4281	31.9	134
MTO	24SR-LD2-39-C-UNV-L850-CD1-U	4659	31.9	146
MTO	24SR-LD2-45-C-UNV-L830-CD1-U	4596	36.7	125
MTO	24SR-LD2-45-C-UNV-L835-CD1-U	4738	36.7	129
MTO	24SR-LD2-45-C-UNV-L840-CD1-U	4832	36.7	132
MTO	24SR-LD2-45-C-UNV-L850-CD1-U	5258	36.7	143
MTO	24SR-LD2-48-C-UNV-L830-CD1-U	4894	38.2	128
Stock	24SR-LD2-48-C-UNV-L835-CD1-U	5045	38.2	132
Stock	24SR-LD2-48-C-UNV-L840-CD1-U	5146	38.2	135
MTO	24SR-LD2-48-C-UNV-L850-CD1-U	5601	38.2	147
MTO	24SR-LD2-53-C-UNV-L830-CD1-U	5416	43.1	126
MTO	24SR-LD2-53-C-UNV-L835-CD1-U	5584	43.1	130
MTO	24SR-LD2-53-C-UNV-L840-CD1-U	5695	43.1	132
MTO	24SR-LD2-53-C-UNV-L850-CD1-U	6198	43.1	144
MTO	24SR-LD2-59-C-UNV-L830-CD1-U	6026	50.2	120
MTO	24SR-LD2-59-C-UNV-L835-CD1-U	6213	50.2	124
MTO	24SR-LD2-59-C-UNV-L840-CD1-U	6337	50.2	126
MTO	24SR-LD2-59-C-UNV-L850-CD1-U	6896	50.2	137
MTO	24SR-LD2-64-C-UNV-L830-CD1-U	6598	55.5	119
MTO	24SR-LD2-64-C-UNV-L835-CD1-U	6802	55.5	123
MTO	24SR-LD2-64-C-UNV-L840-CD1-U	6938	55.5	125
MTO	24SR-LD2-64-C-UNV-L850-CD1-U	7551	55.5	136

\*Made to order (MTO) requires a typical two week lead time.

## ENERGY AND PERFORMANCE DATA BY CATALOG NUMBER

Stock or MTO*	Catalog Logic (Straight)	Delivered Lumens	Watts	Efficacy (LPW)
MTO	24SR-LD2-29-S-UNV-L830-CD1-U	2952	22.7	130
MTO	24SR-LD2-29-S-UNV-L835-CD1-U	3043	22.7	134
MTO	24SR-LD2-29-S-UNV-L840-CD1-U	3104	22.7	137
MTO	24SR-LD2-29-S-UNV-L850-CD1-U	3377	22.7	149
MTO	24SR-LD2-34-S-UNV-L830-CD1-U	3491	27.2	128
MTO	24SR-LD2-34-S-UNV-L835-CD1-U	3599	27.2	132
MTO	24SR-LD2-34-S-UNV-L840-CD1-U	3672	27.2	135
MTO	24SR-LD2-34-S-UNV-L850-CD1-U	3995	27.2	147
MTO	24SR-LD2-39-S-UNV-L830-CD1-U	4029	31.9	126
MTO	24SR-LD2-39-S-UNV-L835-CD1-U	4154	31.9	130
MTO	24SR-LD2-39-S-UNV-L840-CD1-U	4237	31.9	133
MTO	24SR-LD2-39-S-UNV-L850-CD1-U	4611	31.9	145
MTO	24SR-LD2-45-S-UNV-L830-CD1-U	4548	36.7	124
MTO	24SR-LD2-45-S-UNV-L835-CD1-U	4688	36.7	128
MTO	24SR-LD2-45-S-UNV-L840-CD1-U	4783	36.7	130
MTO	24SR-LD2-45-S-UNV-L850-CD1-U	5205	36.7	142
MTO	24SR-LD2-48-S-UNV-L830-CD1-U	4844	38.2	127
MTO	24SR-LD2-48-S-UNV-L835-CD1-U	4993	38.2	131
MTO	24SR-LD2-48-S-UNV-L840-CD1-U	5093	38.2	133
MTO	24SR-LD2-48-S-UNV-L850-CD1-U	5542	38.2	145
MTO	24SR-LD2-53-S-UNV-L830-CD1-U	5360	43.1	124
MTO	24SR-LD2-53-S-UNV-L835-CD1-U	5526	43.1	128
MTO	24SR-LD2-53-S-UNV-L840-CD1-U	5636	43.1	131
MTO	24SR-LD2-53-S-UNV-L850-CD1-U	6134	43.1	142
MTO	24SR-LD2-59-S-UNV-L830-CD1-U	5964	50.2	119
MTO	24SR-LD2-59-S-UNV-L835-CD1-U	6149	50.2	122
MTO	24SR-LD2-59-S-UNV-L840-CD1-U	6272	50.2	125
MTO	24SR-LD2-59-S-UNV-L850-CD1-U	6825	50.2	136
MTO	24SR-LD2-64-S-UNV-L830-CD1-U	6530	55.5	118
MTO	24SR-LD2-64-S-UNV-L835-CD1-U	6732	55.5	121
MTO	24SR-LD2-64-S-UNV-L840-CD1-U	6866	55.5	124
MTO	24SR-LD2-64-S-UNV-L850-CD1-U	7472	55.5	135

\*Made to order (MTO) requires a typical two week lead time.

## LUMEN MAINTENANCE

Ambient Temperature	TM-21 Lumen Maintenance (100,000 hours)	Theoretical L70 (Hours)
25°C	> 92%	> 448,000

Non-IC data

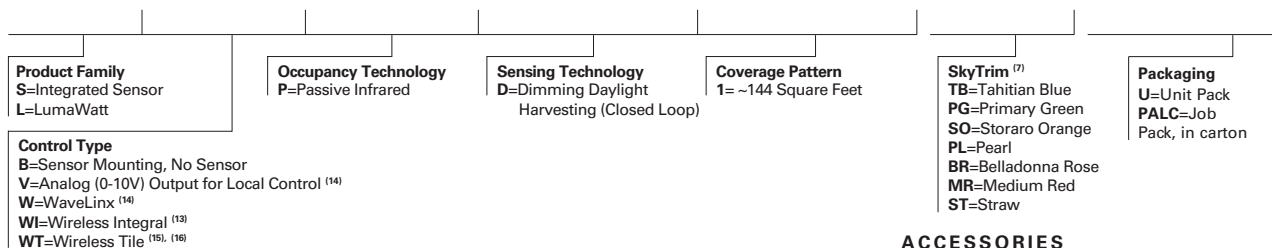
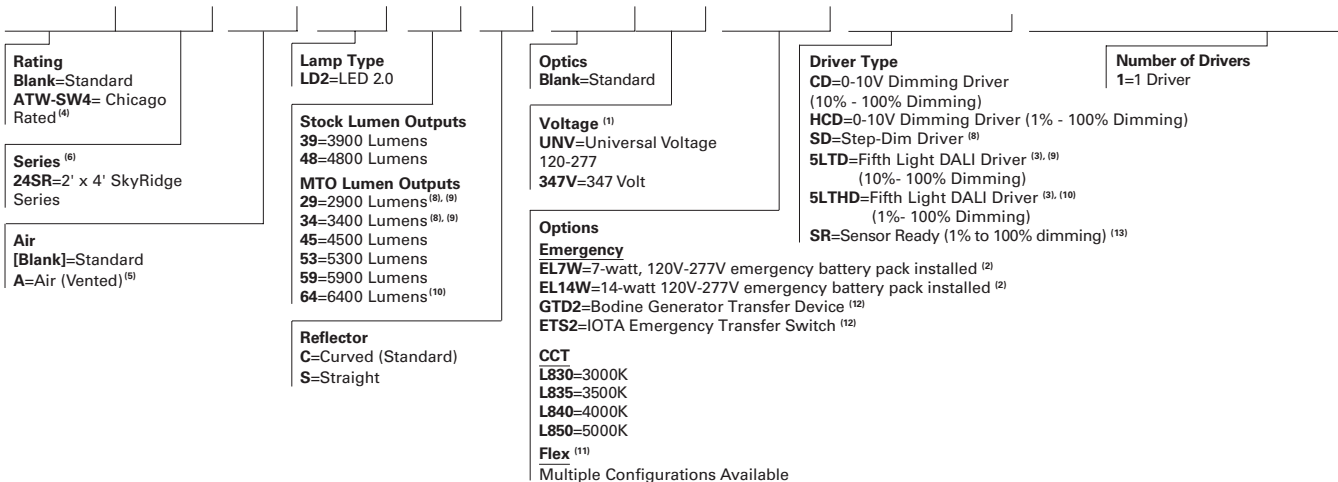
## SKYTRIM FIELD INSTALLATION KITS

Color Choice	Kit Catalog Number	Kit Quantity
Tahitian Blue	STK-4-TB-10PK	10
Primary Green	STK-4-PG-10PK	10
Storaro Orange	STK-4-SO-10PK	10
Belladonna Rose	STK-4-BR-10PK	10
Medium Red	STK-4-MR-10PK	10
Pearl	STK-4-PL-10PK	10
Straw	STK-4-ST-10PK	10

**Note:** Chosen color will be matched on acrylic but will appear lighter once applied to lit light guide.

ORDERING INFORMATION

SAMPLE NUMBER: 24SR-LD2-48-C-UNV-L835-CD1-SVDP1-U



ACCESSORIES

- T3A END E.Q. BRACKET PARTS BAG (Standard with fixture)
- DF-24-W=2' x 4' Drywall Frame Kit
- SK-24-WT=2' x 4' Tall Surface Mount Kit
- DF10P-C =Decorator Dimmer, 0-10V
- SF10P- =Decorator Slide Dimmer, 0-10V
- ISHH-01=Programming Remote for Integrated Sensor
- ISHH-02=Personal Control Remote for Integrated Sensor

**NOTES:** <sup>(1)</sup>Products also available in non-US voltages and frequencies for international markets. <sup>(2)</sup>With integral test switch/indicator/laser test. For approximate delivered lumens multiply the lumens per watt of the desired fixture by the wattage of the emergency battery pack (100 lm/W x 7=700 lumens). IES-format photometry for luminaire under emergency operation available. <sup>(3)</sup>Must be used in conjunction with a DALI control system. For complete DALI solutions by Fifth Light, visit [www.coopercontrol.com](http://www.coopercontrol.com). <sup>(4)</sup>Chicago rated version does not allow for row mounting. <sup>(5)</sup>Air version is vented but does not meet air handling requirements. Air version is non-IC. Air version is not available with integrated sensor. <sup>(6)</sup>DesignLights Consortium® Qualified and classified for DLC Standard, refer to [www.designlights.org](http://www.designlights.org) for details. <sup>(7)</sup>Fixtures using factory installed SkyTrim option are not DLC qualified. <sup>(8)</sup>2900 and 3400 lumen packages are not available with Step-Dim driver. <sup>(9)</sup>2900 and 3400 lumen packages are not available with 5LTD –Dali option driver. <sup>(10)</sup>5LTHD option uses two drivers at 6400 lumens. <sup>(11)</sup>Flex does not include dimming leads. Control leads provided by others. <sup>(12)</sup>Used to transfer fixture to secondary power source for life-safety operation. When used with a dimming fixture, two devices are required to ensure control is disabled while operating under emergency power. <sup>(13)</sup>SR driver compatible with LWI option only. <sup>(14)</sup>Integral sensors work with CD and HCD drivers only and is factory prewired to the driver for stand-alone control. <sup>(15)</sup>LWT compatible with CD and HCD drivers only. <sup>(16)</sup>LWT sensor is external to luminaire, cable factory wired. Must be used in conjunction with a LumaWatt Pro control system. For complete LumaWatt Pro wireless solutions, visit [www.eaton.com/lumawattpro](http://www.eaton.com/lumawattpro)

Specifications & dimensions subject to change without notice. Consult your Eaton Representative for availability and ordering information.

SHIPPING DATA

Catalog No.	Wt.
24SR-LD2-39	24 lbs.
24SR-LD2-48	24 lbs.

**INTEGRATED SENSOR**

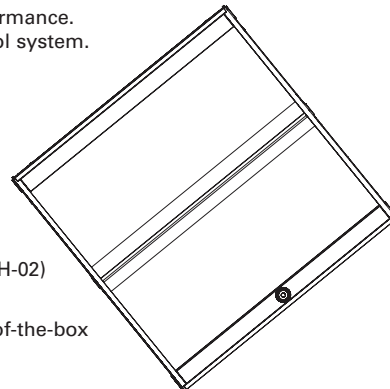
The SkyRidge with Integrated Sensor technology provides automatic energy savings without sacrificing performance. Traditionally, these types of energy savings required coordination between the luminaire and a lighting control system. The SkyRidge delivers superior lighting with integrated occupancy and daylighting controls.

Capture the benefits of traditional lighting controls, without complicated coverage planning or special wiring. Ideal for new construction or retrofit, the SkyRidge delivers automatic ON to an energy saving light level, while ensuring lighting is turned OFF when the space is unoccupied.

The integral daylight sensor reduces the need for special daylight zone planning. Each luminaire will automatically adjust the light level based on reflected light beneath the sensor in a closed loop method.

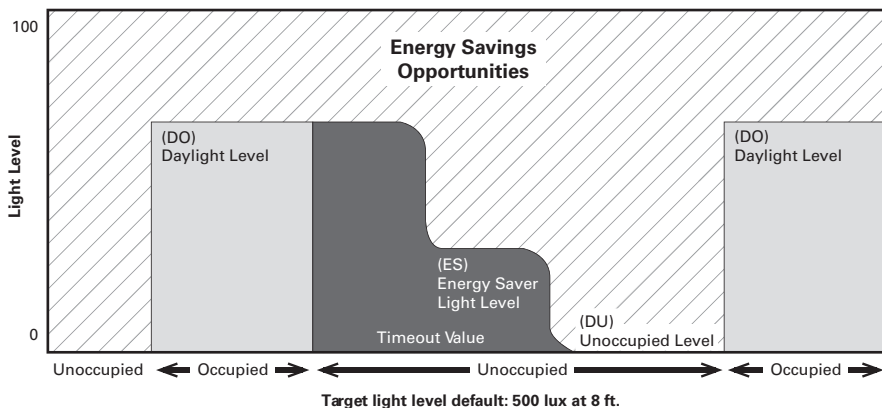
Occupied daylight light levels and unoccupied light levels can be adjusted using the integrated sensor programming remote (Catalog Number: ISHH-01). The integrated sensor personal remote (Catalog Number: ISHH-02) provides code compliant manual raise, lower, ON, OFF control.

The SkyRidge with Integrated Sensor is easy to install with no special wiring and ensures energy savings out-of-the-box with default control settings.

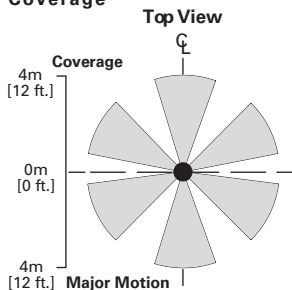


**How it works:**

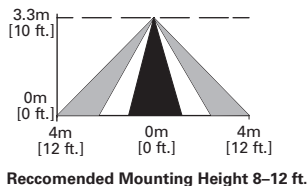
- As the user enters the space controlled by the integral sensor, the lighting turns ON to the default daylight level.
- Lighting will remain at that the daylight level until the space is unoccupied. This will start the occupancy timeout period (default 20 minutes).
- If the space remains unoccupied for half of the timeout period, the lighting will automatically reduce to the Energy Saver light level. This adjustable light level is typically half of the occupied daylight level.
- At the end of the timeout period the lighting will go to the unoccupied light level. This adjustable light level uses the OFF default setting.



**Coverage**



**Side View**



**Optional Remote Controls**



**ISHH-01 Programming Remote**



**ISHH-02 Personal Control Remote**



## DESCRIPTION

The SkyRidge™ transforms ambient lighting by perfectly blending a refined modern styling with our breakthrough WaveStream™ LED technology to deliver exceptional performance and superior energy savings. SkyRidge's advanced engineered LED system with superior optical design delivers an unparalleled combination of optimal light uniformity and exceptional efficiency for greater energy savings.

SkyRidge is compatible with all of today's popular ceiling systems and available in a variety of configurations for application versatility. Its perfect balance of form and function make it an ideal choice for commercial office spaces, schools, hospitals, retail and other indoor ambient applications.

## SPECIFICATION FEATURES

### Construction

Shallow 4.75" deep housing is extruded aluminum frame and injected molded composite end plates. End plates are securely attached with screws for strength and rigidity and the elimination of gaps. End plates have accessory grid-lock feature for safety and convenience. Four auxiliary fixture end suspension points are provided. Large access plate for supply connection.

### Controls

Metalux LED luminaires come standard with 0-10V dimming drivers (1% standard).

Options compatible with Eaton's Connected Lighting Systems:

- WaveLinX sensor
- LumaWatt Pro sensor
- SVPD sensor
- DLVP sensor and driver
- Fifth Light DALI driver

Other options include step-dimming and 3rd party drivers. Refer to the Connected Lighting options page and ordering information for more details.

### Electrical

Long-life LED system coupled with

electrical driver to deliver optimal performance. LED's available in 3000K, 3500K, 4000K or 5000K with a minimum CRI of 80. Projected life is 100,000 hours at 92% lumen output. Electronic drivers are available for 120-277V applications.

### Emergency Battery Pack Option

Optional 120V-277V integral emergency battery pack is available in 7-watts or 14-watts to meet critical life-safety lighting requirements. The 90-minute batteries provide constant power to the LED system, ensuring code-compliance. A test switch/indicator button can be tested safely from the ground using a laser pointer, while the patented EZ Key prevents accidental discharge of the battery during construction. Emergency/generator transfer options available – see ordering information for details.

### Driver Access

Drivers can be accessed via plenum.

### Finish

Durable frame has high reflectance baked matte white enamel finish for luminous uniformity.

<b>Catalog #</b>		<b>Type</b>
<b>Project</b>		
<b>Comments</b>		<b>Date</b>
<b>Prepared by</b>		

### Optics

Precision formed optical assembly with positively retained high optical grade acrylic lens provides a directed optical distribution using WaveStream LED technology.

### SkyTrim Accessory

Designed for an array of interior applications, SkyTrim is a luminous decorative accent that can be mounted directly on the light guide of a SkyRidge fixture either at the factory or in the field. It is ideal for spaces where color is necessary to provide visual cues, emphasize brand identity, directional awareness or simply as an artistic expression.

### Compliance

Components are UL recognized. Indoor luminaires are cULus listed for 25° C ambient environments, RoHS compliant, and comply with IESNA LM-79. LEDs comply with LM-80 standards. DesignLights Consortium® Qualified and classified for DLC Standard, refer to www.designlights.org for details.

### Warranty

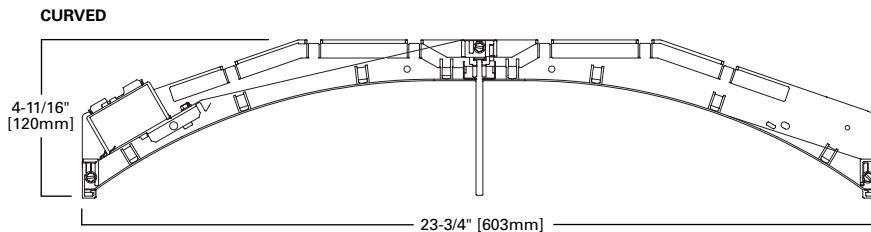
Five year warranty.



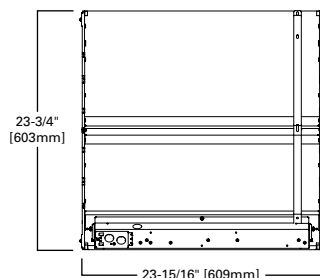
## 22SR LED

### 2' X 2' TROFFER LED MODULE

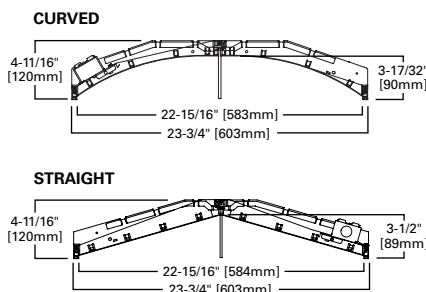
Specification Grade Troffer



## MOUNTING DATA



## LAMP CONFIGURATIONS



## CERTIFICATION DATA

cULus - 1598 and 2043\*\*  
 Damp Location Listed  
 IC Rated  
 LM79/LM80 Compliant  
 ROHS Compliant  
 DesignLights Consortium® Qualified  
 NOM Compliant

\*See Drywall Frame Kit Accessory in Ordering Information section.

\*\*Fixture construction is suitable for use in Air-handling and plenum rated spaces in accordance with Section 300.22 (C) of the National Electrical Code, Section 4.3.11.2.6.5 of NFPA 90A and Section 602.2.1.4 of ICC.

## LINEAR DISCONNECT

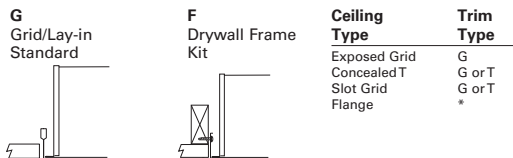
Safe and convenient means of disconnecting power



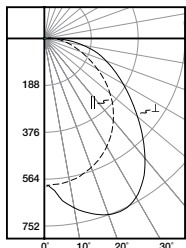
PS519068EN  
 May 4, 2018 1:56 PM



**CEILING COMPATIBILITY**



**PHOTOMETRICS**



**22SR-LD2-20-C-UNV-L835-CD1-U**

Electronic Driver  
Linear LED 3500K  
Spacing criterion: (II) 1.22 x mounting height, (⊥) 1.6 x mounting height  
Lumens: 2107  
Input Watts: 15.4W  
Efficacy: 136.8 lm/W  
Test Report: 22SR-LD2-20-C-UNV-L835-CD1-U, IES

**Candlepower**

Angle	Along II	45°	Across ⊥
0	589	589	589
5	585	629	653
10	575	663	698
15	559	677	730
20	539	677	750
25	514	666	748
30	483	642	721
35	448	602	671
40	407	552	602
45	364	498	530
50	316	443	459
55	264	390	395
60	213	336	337
65	165	286	285
70	123	238	237
75	90	192	188
80	59	143	127
85	31	77	65
90	0	0	0

**Coefficients of Utilization**

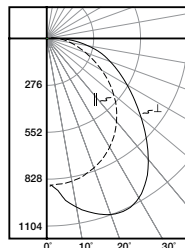
rc rw RCR	Effective floor cavity reflectance																						
	80%				70%				50%				30%				10%				0%		
0	119	119	119	119	116	116	116	116	111	111	111	111	106	106	106	106	102	102	102	102	100	100	
1	108	103	98	94	105	100	96	92	96	93	90	92	89	87	89	86	84	82	82	82	82	82	
2	98	89	82	76	95	87	81	75	84	78	73	80	76	71	77	73	70	68	68	68	68	68	
3	89	78	69	63	86	76	68	62	73	67	61	71	65	60	68	63	59	57	57	57	57	57	
4	81	69	60	53	79	68	59	53	65	58	52	63	56	51	60	55	50	48	48	48	48	48	
5	75	62	52	45	73	60	52	45	58	51	45	56	49	44	54	48	44	41	41	41	41	41	
6	69	55	46	40	67	54	46	39	53	45	39	51	44	39	49	43	38	36	36	36	36	36	
7	64	50	41	35	62	49	41	35	48	40	34	46	39	34	45	39	34	32	32	32	32	32	
8	59	46	37	31	58	45	37	31	44	36	31	42	36	31	41	35	30	28	28	28	28	28	
9	56	42	34	28	54	41	33	28	40	33	28	39	32	27	38	32	27	25	25	25	25	25	
10	52	39	31	25	51	38	30	25	37	30	25	36	30	25	35	29	25	23	23	23	23	23	

**Zonal Lumen Summary**

Zone	Lumens	% Fixture
0-30	549	26.1
0-40	913	43.3
0-60	1602	76.0
0-90	2107	96.3
0-180	2107	100.0

**Luminance Data**

Angle in Deg	Average 0-Deg cd/sm	Average 45-Deg cd/sm	Average 90-Deg cd/sm
30	1650	2256	2400
45	1476	2175	2205
60	1247	2170	2162
75	1100	2376	2321
85	1128	2822	2377



**22SR-LD2-29-C-UNV-L835-CD1-U**

Electronic Driver  
Linear LED 3500K  
Spacing criterion: (II) 1.22 x mounting height, (⊥) 1.6 x mounting height  
Lumens: 3095  
Input Watts: 23.4W  
Efficacy: 132.3 lm/W  
Test Report: 22SR-LD2-29-C-UNV-L835-CD1-U, IES

**Candlepower**

Angle	Along II	45°	Across ⊥
0	865	865	865
5	859	924	959
10	845	974	1025
15	820	995	1072
20	791	995	1101
25	754	978	1099
30	709	943	1059
35	658	885	985
40	598	811	885
45	535	732	779
50	464	651	674
55	388	572	580
60	313	493	495
65	242	421	419
70	181	350	348
75	131	282	276
80	87	210	187
85	45	113	95
90	0	0	0

**Coefficients of Utilization**

rc rw RCR	Effective floor cavity reflectance																						
	80%				70%				50%				30%				10%				0%		
0	119	119	119	119	116	116	116	116	111	111	111	111	106	106	106	106	102	102	102	102	100	100	
1	108	103	98	94	105	100	96	92	96	93	90	92	89	87	89	86	84	82	82	82	82	82	
2	98	89	82	76	95	87	81	75	84	78	73	80	76	71	77	73	70	68	68	68	68	68	
3	89	78	69	63	86	76	68	62	73	67	61	71	65	60	68	63	59	57	57	57	57	57	
4	81	69	60	53	79	68	59	53	65	58	52	63	56	51	60	55	50	48	48	48	48	48	
5	75	62	52	45	73	60	52	45	58	51	45	56	49	44	54	48	44	41	41	41	41	41	
6	69	55	46	40	67	54	46	39	53	45	39	51	44	39	49	43	38	36	36	36	36	36	
7	64	50	41	35	62	49	41	35	48	40	34	46	39	34	45	39	34	32	32	32	32	32	
8	59	46	37	31	58	45	37	31	44	36	31	42	36	31	41	35	30	28	28	28	28	28	
9	56	42	34	28	54	41	33	28	40	33	28	39	32	27	38	32	27	25	25	25	25	25	
10	52	39	31	25	51	38	30	25	37	30	25	36	30	25	35	29	25	23	23	23	23	23	

**Zonal Lumen Summary**

Zone	Lumens	% Fixture
0-30	807	26.1
0-40	1341	43.3
0-60	2353	76.0
0-90	3095	100.0
0-180	3095	100.0

**Luminance Data**

Angle in Deg	Average 0-Deg cd/sm	Average 45-Deg cd/sm	Average 90-Deg cd/sm
30	2423	3314	3526
45	2169	3195	3239
60	1832	3188	3176
75	1616	3491	3410
85	1657	4145	3494

## LUMEN MAINTENANCE

Ambient Temperature	TM-21 Lumen Maintenance (100,000 hours)	Theoretical L70 (Hours)
25°C	> 92%	> 448,000

Non-IC data

## SKYTRIM FIELD INSTALLATION KITS

Color Choice	Kit Catalog Number	Kit Quantity
Tahitian Blue	STK-2-TB-10PK	10
Primary Green	STK-2-PG-10PK	10
Storaro Orange	STK-2-SO-10PK	10
Belladonna Rose	STK-2-BR-10PK	10
Medium Red	STK-2-MR-10PK	10
Pearl	STK-2-PL-10PK	10
Straw	STK-2-ST-10PK	10

**Note:** Chosen color will be matched on acrylic but will appear lighter once applied to lit light guide.

## ENERGY AND PERFORMANCE DATA BY CATALOG NUMBER

Stock or MTO*	Catalog Logic (Curved)	Delivered Lumens	Watts	Efficacy (LPW)
MTO	22SR-LD2-20-C-UNV-L830-CD1-U	2044	15.4	133
Stock	22SR-LD2-20-C-UNV-L835-CD1-U	2107	15.4	137
Stock	22SR-LD2-20-C-UNV-L840-CD1-U	2149	15.4	140
MTO	22SR-LD2-20-C-UNV-L850-CD1-U	2339	15.4	152
MTO	22SR-LD2-25-C-UNV-L830-CD1-U	2571	19.6	131
MTO	22SR-LD2-25-C-UNV-L835-CD1-U	2651	19.6	135
MTO	22SR-LD2-25-C-UNV-L840-CD1-U	2705	19.6	138
MTO	22SR-LD2-25-C-UNV-L850-CD1-U	2943	19.6	150
MTO	22SR-LD2-29-C-UNV-L830-CD1-U	3003	23.4	128
Stock	22SR-LD2-29-C-UNV-L835-CD1-U	3095	23.4	132
Stock	22SR-LD2-29-C-UNV-L840-CD1-U	3157	23.4	135
MTO	22SR-LD2-29-C-UNV-L850-CD1-U	3436	23.4	147

Stock or MTO*	Catalog Logic (Straight)	Delivered Lumens	Watts	Efficacy (LPW)
MTO	22SR-LD2-20-S-UNV-L830-CD1-U	2081	15.4	135
MTO	22SR-LD2-20-S-UNV-L835-CD1-U	2145	15.4	139
MTO	22SR-LD2-20-S-UNV-L840-CD1-U	2188	15.4	142
MTO	22SR-LD2-20-S-UNV-L850-CD1-U	2381	15.4	155
MTO	22SR-LD2-25-S-UNV-L830-CD1-U	2619	19.6	134
MTO	22SR-LD2-25-S-UNV-L835-CD1-U	2700	19.6	138
MTO	22SR-LD2-25-S-UNV-L840-CD1-U	2753	19.6	140
MTO	22SR-LD2-25-S-UNV-L850-CD1-U	2996	19.6	153
MTO	22SR-LD2-29-S-UNV-L830-CD1-U	3057	23.4	131
MTO	22SR-LD2-29-S-UNV-L835-CD1-U	3151	23.4	135
MTO	22SR-LD2-29-S-UNV-L840-CD1-U	3214	23.4	137
MTO	22SR-LD2-29-S-UNV-L850-CD1-U	3498	23.4	149

\*Made to order (MTO) requires a typical two week lead time.

## ORDERING INFORMATION

SAMPLE NUMBER: 22SR-LD2-29-C-UNV-L835-CD1-SVPD1-U

<b>Rating</b> <b>Blank</b> =Standard <b>ATW-SW4</b> =Chicago Rated <sup>(3)</sup>  <b>Series</b> <sup>(6)</sup> <b>22SR</b> =2' x 2' SkyRidge Series  <b>Air</b> <b>[Blank]</b> =Standard <b>A</b> =Air (Vented) <sup>(4)</sup>	<b>Lamp Type</b> <b>LD2</b> =LED 2.0  <b>Stock Lumen Outputs</b> <b>20</b> =2000 Lumens <b>29</b> =2900 Lumens <b>MTO Lumen Outputs</b> <b>25</b> =2500 Lumens  <b>Reflector</b> <b>C</b> =Curved (Standard) <b>S</b> =Straight	<b>Optics</b> <b>Blank</b> =Standard  <b>Voltage</b> <sup>(1)</sup> <b>347V</b> =347 Volt <b>UNV</b> =Universal Voltage 120-277 <b>48V</b> =48 Volt Low-voltage (Class 2) <sup>(2)</sup>  <b>Options</b> <b>Emergency</b> <b>EL7W</b> =7-watt, 120V-277V emergency battery pack installed <sup>(2)</sup> <b>EL14W</b> =14-watt 120V-277V emergency battery pack installed <sup>(2)</sup> <b>ELV7W</b> =7-watt, DLVP-compatible low voltage emergency battery pack installed <sup>(2)</sup> <b>ELV14W</b> =14-watt DLVP-compatible low voltage emergency battery pack installed <sup>(2)</sup> <b>GTR2</b> =Bodine Generator Transfer Relay <sup>(7)</sup> <b>ETR2</b> =lota Emergency Transfer Relay <sup>(7)</sup> <b>ETRD</b> =lota Emergency Transfer Relay with dimming control <sup>(7)</sup>  <b>CCT</b> <b>L830</b> =3000K <b>L835</b> =3500K <b>L840</b> =4000K <b>L850</b> =5000K  <b>Flex</b> <b>A3/8-4/18GDIM</b> =3/8" Flex with 0-10V Dimming Leads Multiple other configurations available. See below for details.	<b>Driver Type</b> <b>CD</b> =0-10V Dimming Driver (1%-100% Dimming) <b>SR</b> =Sensor-ready Dimming Driver for LWIPD1 option (1%-100% Dimming) <sup>(8)</sup> <b>5LTD</b> =Fifth Light DALI Driver (10%-100% Dimming) <sup>(6)</sup> <b>5LTHD</b> =Fifth Light Dimming Driver (1%-100% Dimming) <sup>(6)</sup> <b>LV1</b> =DLVP Dimming Driver (0%-100% Dimming) <sup>(2)</sup> <b>SD</b> =Step Dimming Driver (50% or 100% Dimming) <b>LH</b> =Lutron HiLume (LDE1 series) 1%-100% EcoSystem Driver with Soft-on Fade to Black dimming <sup>(9)</sup> <b>L5</b> =Lutron 5 Series (LDE5-Series) 5%-100% EcoSystem Driver <sup>(9)</sup> <b>LU</b> =Lutron HiLume (L3D series) 1%-100% EcoSystem/3-wire Driver <sup>(9)</sup>	<b>Number of Drivers</b> <b>1</b> =1 Driver
--	--	--	--	--

<b>Integrated Sensing Systems</b> <b>SWPD1</b> =WaveLinX Wireless Integrated Sensor <sup>(A)</sup> <b>LWIPD1</b> =LumaWatt Pro Wireless Integrated Sensor <sup>(B)</sup> <b>LWTPD1</b> =LumaWatt Pro Wireless Tile-mount Sensor <sup>(B)</sup> <b>SLVPD1</b> =DLVP Low-voltage Integrated Sensor <sup>(C)</sup> <b>SVPD1</b> =0-10V Stand-alone Integrated Sensor <sup>(D)</sup>
---



Connected Systems  
[CLICK HERE](#)

<b>SkyTrim</b> <sup>(6)</sup> <b>TB</b> =Tahitian Blue <b>PG</b> =Primary Green <b>SO</b> =Storaro Orange <b>PL</b> =Pearl <b>BR</b> =Belladonna Rose <b>MR</b> =Medium Red <b>ST</b> =Straw	<b>Packaging</b> <b>U</b> =Unit Pack <b>PALC</b> =Job Pack, in carton
---	---

## ACCESSORIES

**T3A END E.Q. BRACKET PARTS BAG** (Standard with fixture)  
**DF-22-W**=2' x 2' Drywall Frame Kit  
**SK-22-WT**=2' x 2' Tall Surface Mount Kit  
**DF10P-C**=Decorator Dimmer, 0-10V  
**SF10P-**=Decorator Slide Dimmer, 0-10V  
**ISHH-01**=Programming Remote for Integrated Sensor <sup>(D)</sup>  
**ISHH-02**=Personal Control Remote for Integrated Sensor <sup>(D)</sup>

**NOTES:** <sup>(1)</sup> Products also available in non-US voltages and frequencies for international markets. <sup>(2)</sup> With integral test switch/indicator/laser test. For approximate delivered lumens multiply the lumens per watt of the desired fixture by the wattage of the emergency battery pack (100 lm/W x 7=700 lumens). IES-format photometry for luminaire under emergency operation available. <sup>(3)</sup> Chicago rated version does not allow for row mounting. <sup>(4)</sup> Air version is vented but does not meet air handling requirements. Air version is non-IC. Air version is not available with integrated sensor. <sup>(5)</sup> DesignLights Consortium® Qualified and classified for DLC Standard, refer to [www.designlights.org](http://www.designlights.org) for details. <sup>(6)</sup> Fixtures using factory installed SkyTrim option are not DLC qualified. <sup>(7)</sup> Used to bypass local control during outage. Must be used in conjunction with UL 1008 device (provided by others). GTR2 and ETR2 options include 2 relays on fixtures with dimming drivers. ETRD option only requires one relay when used on a dimming fixture. Must specify voltage as 120V or 277V when ordering these devices.

## Integrated Sensing and Control System Options

**NOTES:** Integrated options must be used in conjunction with the associated system and may not be compatible with other options or accessories. Please refer to the following: <sup>(A)</sup> Consult WaveLinX system pages for additional details and compatibility. <sup>(B)</sup> Consult LumaWatt Pro system pages for additional details and compatibility. <sup>(C)</sup> Consult DLVP system pages for additional details and compatibility. <sup>(D)</sup> Consult SVPD series system pages for additional details and compatibility. <sup>(E)</sup> Consult Fifth Light system pages for additional details and compatibility. <sup>(F)</sup> Consult Marketplace Options - Lutron system pages for additional details and compatibility. Compatible only with driver series shown, and may require two or more drivers. Requires field commissioning to operate or dim. Contact Lutron at [www.lutron.com](http://www.lutron.com).

## Flexible Metal Conduit Options

Flex options available for 0-10V dimming control, DALI dimming control, emergency and night light functions. 72-inch factory-installed and pre-wired to driver, fitted to luminaire housing access plate with 90° enclosed FMC connector. Not all options may be combined and installation ratings vary by type.  
**A3/8-4/18GDIM series notes:** Factory installed dimming option 3/8" flexible metal conduit with 2-#18 power and ground wires and 2-#18 UL-listed jacketed 0-10V +/- control wires. Meets UL 66, 83, 1479, 1569, 1581, 2556. NEC® 250.118, 300.22(C), 392, 396, 330, 501, 502, 503, 530, 504, 505, 518, 520, 530, 645, 72; Federal Specification A-A-59544 (formerly J-C-30B); all applicable OSHA and HUD Requirements. UL Classified 1-, 2-, and 3-hour through penetration with applicable fire stop product (not included). May be surface mounted, fished and/or embedded in plaster. Cable tray and approved raceway rated, install per NEC®; Environmental Air-Handling Space Installation per NEC® 300.22(C).

Specifications & dimensions subject to change without notice. Consult your Eaton Representative for availability and ordering information.

## SHIPPING DATA

Catalog No.	Wt.
22SR-LD2-20	12 lbs.
22SR-LD2-29	12 lbs.

**INTEGRATED SENSOR**

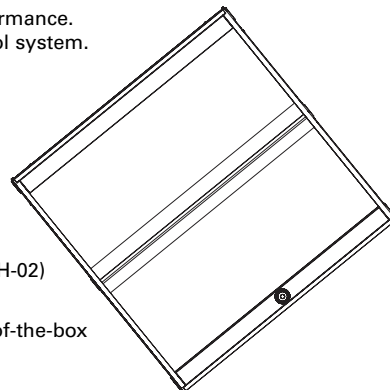
The SkyRidge with Integrated Sensor technology provides automatic energy savings without sacrificing performance. Traditionally, these types of energy savings required coordination between the luminaire and a lighting control system. The SkyRidge delivers superior lighting with integrated occupancy and daylighting controls.

Capture the benefits of traditional lighting controls, without complicated coverage planning or special wiring. Ideal for new construction or retrofit, the SkyRidge delivers automatic ON to an energy saving light level, while ensuring lighting is turned OFF when the space is unoccupied.

The integral daylight sensor reduces the need for special daylight zone planning. Each luminaire will automatically adjust the light level based on reflected light beneath the sensor in a closed loop method.

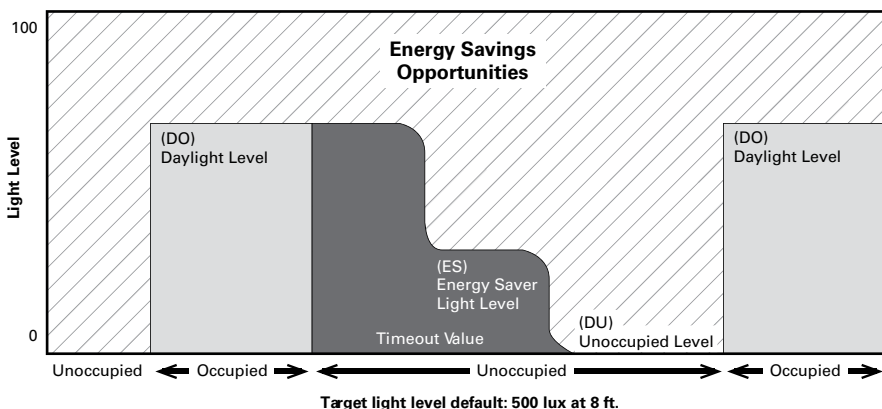
Occupied daylight light levels and unoccupied light levels can be adjusted using the integrated sensor programming remote (Catalog Number: ISHH-01). The integrated sensor personal remote (Catalog Number: ISHH-02) provides code compliant manual raise, lower, ON, OFF control.

The SkyRidge with Integrated Sensor is easy to install with no special wiring and ensures energy savings out-of-the-box with default control settings.

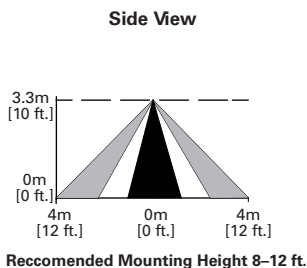
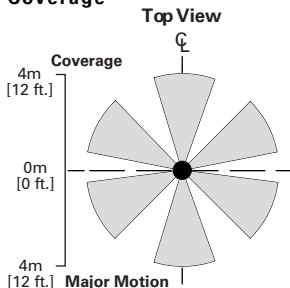


**How it works:**

- As the user enters the space controlled by the integral sensor, the lighting turns ON to the default daylight level.
- Lighting will remain at that the daylight level until the space is unoccupied. This will start the occupancy timeout period (default 20 minutes).
- If the space remains unoccupied for half of the timeout period, the lighting will automatically reduce to the Energy Saver light level. This adjustable light level is typically half of the occupied daylight level.
- At the end of the timeout period the lighting will go to the unoccupied light level. This adjustable light level uses the OFF default setting.



**Coverage**



**Optional Remote Controls**

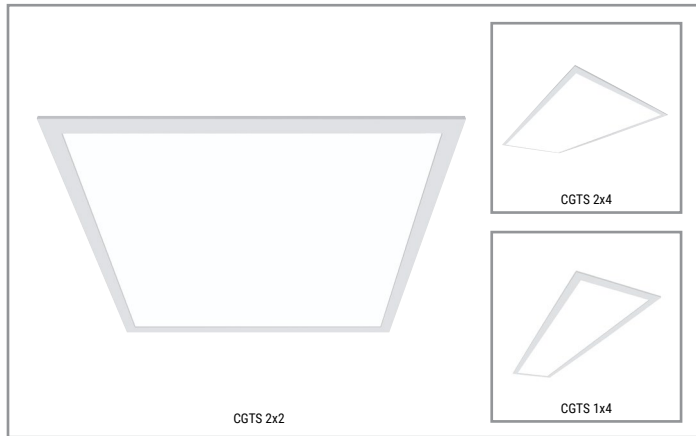


**ISHH-01 Programming Remote**



**ISHH-02 Personal Control Remote**

Project		Catalog #		Type	
Prepared by		Notes		Date	



# Metalux

## CGTS Selectable Lumens and CCT

1x4, 2x2, 2x4 LED Backlit Panel

### Typical Applications

Offices • Education • Healthcare • Retail

**Interactive Menu**

- Order Information [page 2](#)
- Photometric Data [page 4](#)
- Product Warranty

### Product Certification



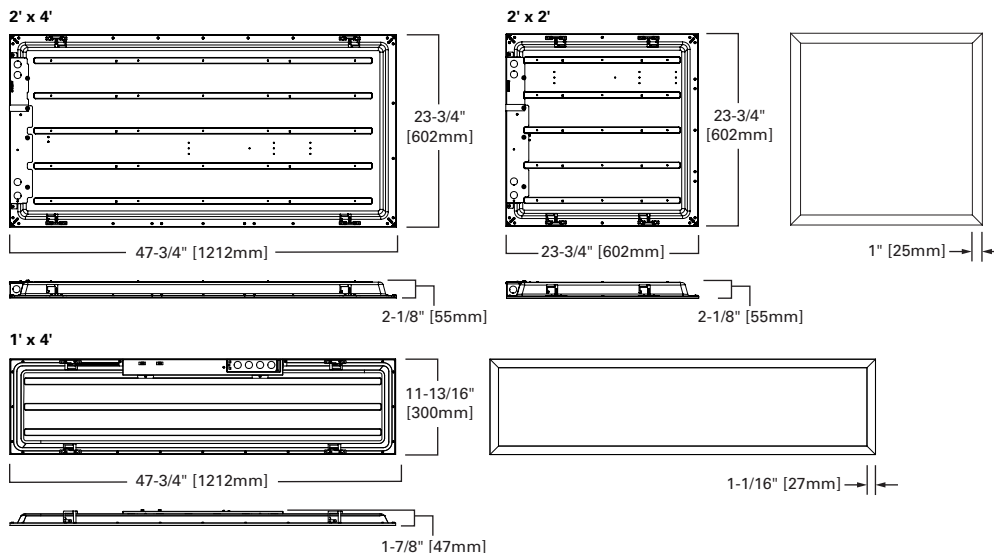
### Product Features



### Top Product Features

- Three color temperature and three lumen package choices for use in a variety of applications
- Selectable switches are located on top of the junction box, for quick adjustment before and after installation
- Acrylic micro-optics provide uniform illumination across the entire lens
- Extruded aluminum frame tightly seals to the housing for optimal performance and aesthetics
- Minimum fixture height ideal for shallow plenum.

## CGTS Dimensions



See page 3 for Junction Box details for CGTS

[additional product diagrams](#)



## CGTS Ordering Information/Performance

Default CCT/Lumen Setting: 4000K/Medium

Size	Catalog	UPC	Lumen Setting	CCT	CRI (Min)	Delivered Nominal Lumens	Watts	Efficacy (lm/W)
1x4	14CGTS-L3C3	080083282517	Low	3500K	80	3271	22.2	147
				4000K	80	3412	21.4	159
				5000K	80	3362	22	153
			Medium	3500K	80	4581	32.6	141
				4000K	80	4827	31.3	154
				5000K	80	4679	32.6	144
			High	3500K	80	4887	37.1	132
				4000K	80	5147	35.5	145
				5000K	80	4982	37.1	134
2x2	22CGTS-L3C3	080083194728	Low	3500K	80	2720	22.0	124
				4000K	80	2826	21.3	133
				5000K	80	2770	21.9	127
			Medium	3500K	80	3681	30.2	122
				4000K	80	3890	28.9	135
				5000K	80	3748	30.1	125
			High	3500K	80	4700	40.6	116
				4000K	80	5063	38.5	132
				5000K	80	4808	40.5	119
2x4	24CGTS-L3C3	080083194704	Low	3500K	80	3600	27.8	130
				4000K	80	3710	27.1	137
				5000K	80	3651	27.8	131
			Medium	3500K	80	5016	39.7	126
				4000K	80	5241	38.5	136
				5000K	80	5081	39.7	128
			High	3500K	80	6426	52.8	122
				4000K	80	6918	50.7	136
				5000K	80	6648	52.8	126

### CGTS Shipping Data

	1x4	2x2	2x4
Weight (lb.)	9.18	8.3	14.5
Pallet Qty	54	36	20
Pallet Size	53" x 49"		

### CGTS Options

Catalog	Description	Example	Notes
EL7W <sup>(1)</sup>	7W EM Pack, Installed	22CGTS-L3C3-EL7W	Remote Indicator/Test Switch
EL14W <sup>(1)</sup>	14W EM Pack, Installed	24CGTS-L3C3-EL14W	Remote Indicator/Test Switch
A3/8-4/18GDIM	6' Length, 3/8" Cable, 2 Wire, 2 Dimming Leads, Ground	24CGTS-L3C3-A3/8-4/18GDIM	
EL7W-A3/8-5/18GDIM EL14W-A3/8-5/18GDIM	7W or 14W EM Pack, Installed, and 6' Flex, 3/8" Cable, 3 Wire, 2 Dimming Leads, Ground	24CGTS-L3C3-EL14W-A3/8-5/18GDIM 22CGTS-L3C3-EL7W-A3/8-5/18GDIM 14CGTS-L3C3-EL7W-A3/8-5/18GDIM	EL7W and EL14W can be used with only 5/18G flex. EM pack is always specified before (to the left of) the flex, in the catalog number.
RMK2	1x4 Regress Mount Kit, Installed	14CGTS-L3C3-RMK2	
	2x2 Regress Mount Kit, Installed	22CGTS-L3C3-RMK2	
	2x4 Regress Mount Kit, Installed	24CGTS-L3C3-RMK2	

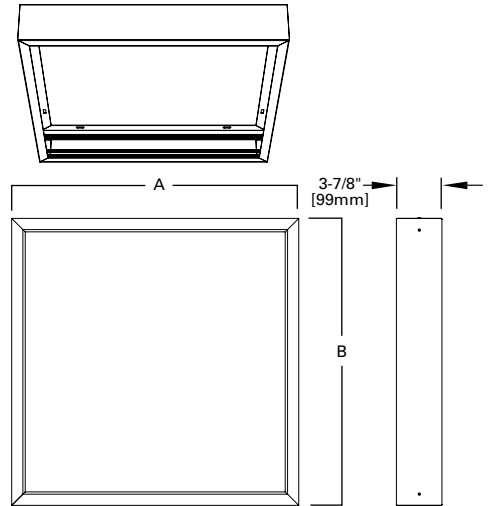
**Notes:** (1) Factory installed with remote test switch/indicator/laser test. For approximate delivered lumens multiply the lumens per watt of the desired fixture by the wattage of the emergency battery pack (100 lm/W x 7=700 lumens). IES-format photometry for luminaire under emergency operation available. Battery option increases total height by 1 inch.

## CGTS Accessories

### Surface Mounting Options

Catalog No.	Description	UPC	A	B
CGTSURF24	2x4 CGT Surface Mount Kit	080083083107	24-5/8" [625mm]	48-5/8" [1235mm]
CGTSURF22	2x2 CGT Surface Mount Kit	080083083121	24-5/8" [625mm]	24-5/8" [625mm]
CGTSURF14	1x4 CGT Surface Mount Kit	080083083145	12-5/8" [321mm]	48-5/8" [1235mm]

**Note:** Cannot be used with EL7W or EL14W options.



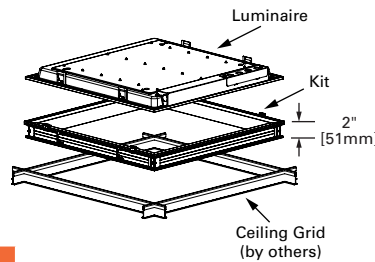
### Drywall Frame Kit

Catalog No.	Description	UPC
DF-24W-U	2x4 dry wall frame kit	0662401232970
DF-22W-U	2x2 dry wall frame kit	0662401232963
DF-14W-U	1x4 dry wall frame kit	0662401232949

### Regress Mount Kit

Catalog No.	Description	UPC	Size
RMK2-14-W	1x4 Regress Mount Kit	080083288021	1x4
RMK2-22-W	2x2 Regress Mount Kit	080083287185	2x2
RMK2-24-W	2x4 Regress Mount Kit	080083288007	2x4

### Regress Panel Field Assembly



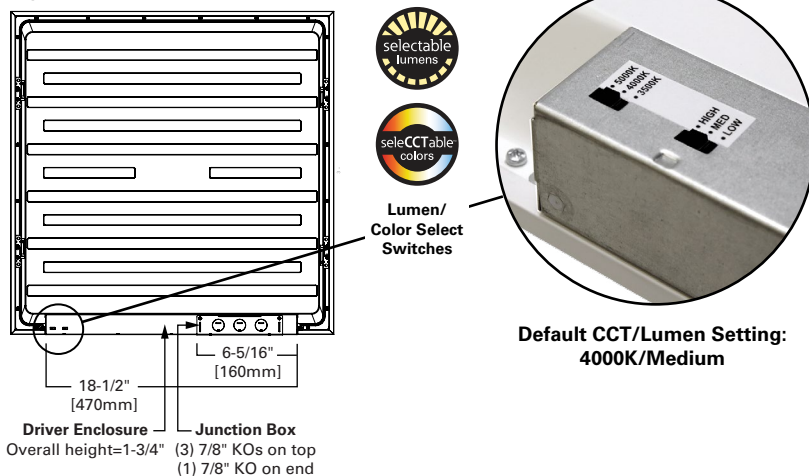
### Suspension Kit

Catalog	UPC	Description
FPSUS24-B	080083876686	2 point Y-hanger suspension kit includes sleeved aircraft cable, carabiner, ceiling connection, SO cord, cord connectors and round 4\" J-box cover plate
FPSUS24	080083258895	2 point Y-hanger suspension kit includes aircraft cable, carabiner, ceiling connection, SO cord, cord connectors and round 4\" J-box cover plate

Mounting height from ceiling  
**Min.** = 7-1/4" [184mm]  
**Max.** = 27" [286mm]

## CGTS Driver Enclosure / Junction Box

### Top View (2' x 2')





## CGTS Product Specifications

### Construction

- Die-formed steel back plate is post-painted to ensure durability
- Housing is constructed absent of holes
- Aluminum frame weld and ground, for a seamless appearance

### Mounting

- Integral grid clips secure fixture to the ceiling structure
- Junction box constructed of code gauge galvanized steel with access plate
- Multiple 7/8" KO's provided, suitable for up to 12AWG wiring
- Surface and suspension kits available for use in grid or hard surfaces
- Factory installed flexible cable with dimming leads available

### Controls

- Standard UNV 120 - 277V driver with 0-10V dimming, 10% standard
- Can be used with tile mounted sensor or other remote mount controls
- Selectable driver for three color temperature choices and three lumen package choices

### Electrical

- CGTS projected lumen maintenance based on TM21 testing standards is >L82@60,000 hours
- Driver rated for FCC part 15 Class B for use in residential or commercial applications
- LEDs are 80 CRI (minimum) and switch to 3500K, 4000K, or 5000K.
- Emergency battery pack options available in 7W and 14W
- Default CCT/Lumen Setting:4000K/Medium

### Optical Shielding

- Acrylic micro-optics enable uniform distribution of LEDs for uniform lens illumination
- Smooth, frosted lens delivers uniform illumination across the entire lens
- Durable lens with surface texture to minimize scratch and impact damage

### Certifications

- cULus listed for 25C ambient environments, indoor applications
- IC rated for direct insulation contact
- UL damp location listed
- IESNA LM-79 and LM-80 standards compliant

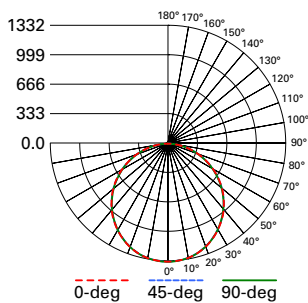
- Qualifies as State of California Title 24 high efficiency luminaire
- FCC part 15 class B (residential) compliant
- DesignLights Consortium® Qualified and classified for DLC standard. Refer to the DLC Qualified Products list at [www.designlights.org/QPL](http://www.designlights.org/QPL) to confirm which versions are qualified
- Meets IP5X rating from the room side with no modification needed
- Fixture is rated for NSF/ANSI standard 2 - Light fixture for Splash Zone and Non-Food Zone

### Warranty

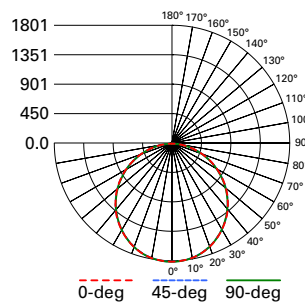
- Five year standard warranty
- Extended ten year warranty available

## CGTS Photometric Data

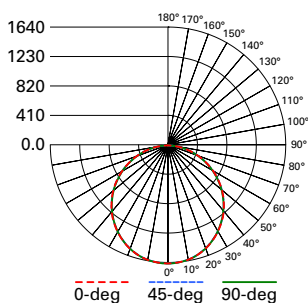
[View IES files](#)



**22CGTS-MID-UNV-L840**  
 Electronic Driver  
 Linear LED 4000K  
 Spacing criterion: (H) 1.26 x mounting height, (L) 1.25 x mounting height  
 Lumens: 3890  
 Input Watts: 28.9W  
 Efficacy: 134.6 LPW  
 Test Report: 22CGTS-MID-UNV-L840.IES



**24CGTS-MID-UNV-L840**  
 Electronic Driver  
 Linear LED 4000K  
 Spacing criterion: (H) 1.26 x mounting height, (L) 1.26 x mounting height  
 Lumens: 5241  
 Input Watts: 38.5W  
 Efficacy: 136.1 LPW  
 Test Report: 24CGTS-MID-UNV-L840.IES



**14CGTS-MID-UNV-L840**  
 Electronic Driver  
 Linear LED 4000K  
 Spacing criterion: (H) 1.28 x mounting height, (L) 1.28 x mounting height  
 Lumens: 4827  
 Input Watts: 31.3W  
 Efficacy: 154 LPW  
 Test Report: 14CGTS-MID-UNV-L840.IES

